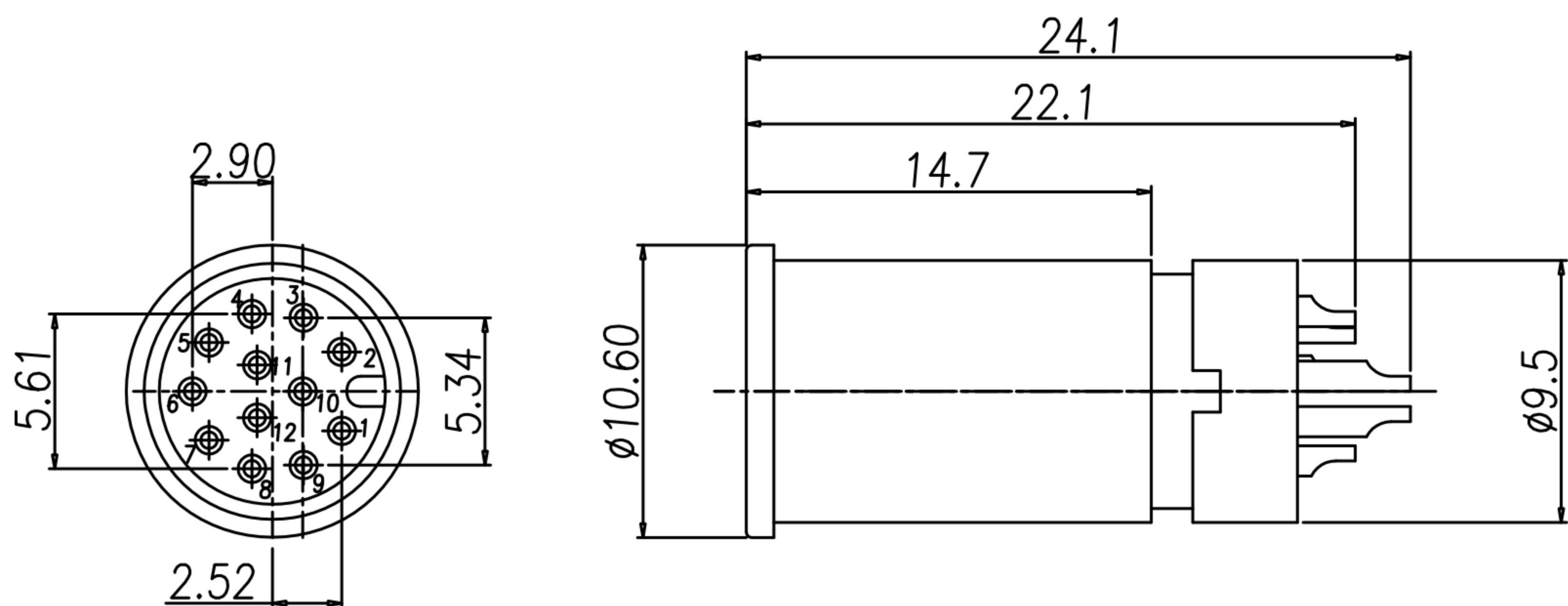


CUSTOMER DRAWING

REV.	DESCRIPTION	APPROVED BY	DATE	ECN NO.
A	RELEASE	Fido Weng	25/07/09*	
B				
C				



1. MATERIAL :
  - 1-1. HOUSING : PBT UL94V-0 ; COLOR : BLACK
  - 1-2. CONTACT : BRASS
  - 1-3. NUT : BRASS
  - 1-4. O-RING : EDPM
2. FINISH :
  - 2-1. CONTACT : SEE TABLE A
  - 2-2. NUT : NICKEL PLATED
3. ELECTRICAL SPECIFICATION :
  - 3-1. Rated current : 1.5A
  - 3-2. Rated voltage : 30V
  - 3-3. Water proof : IP67
4. Environmental :
  - 4-1. Operation Temperature : -40°C~85°C

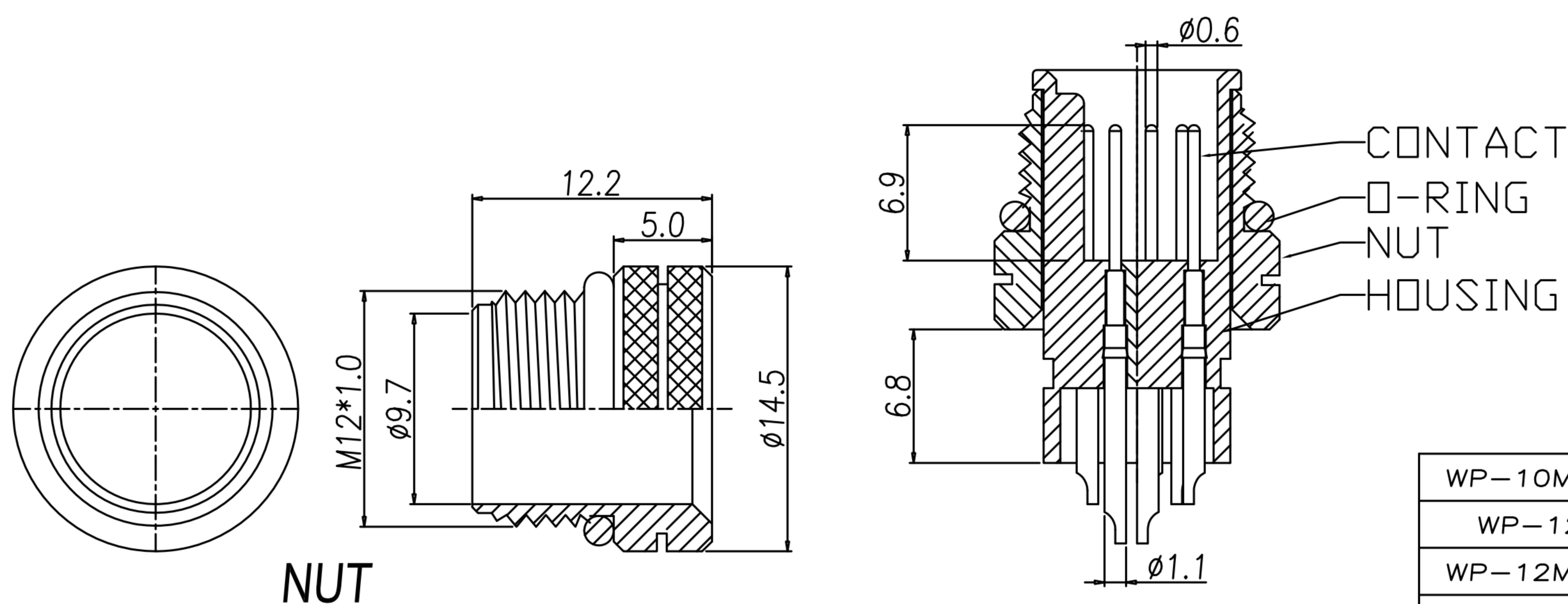


TABLE A

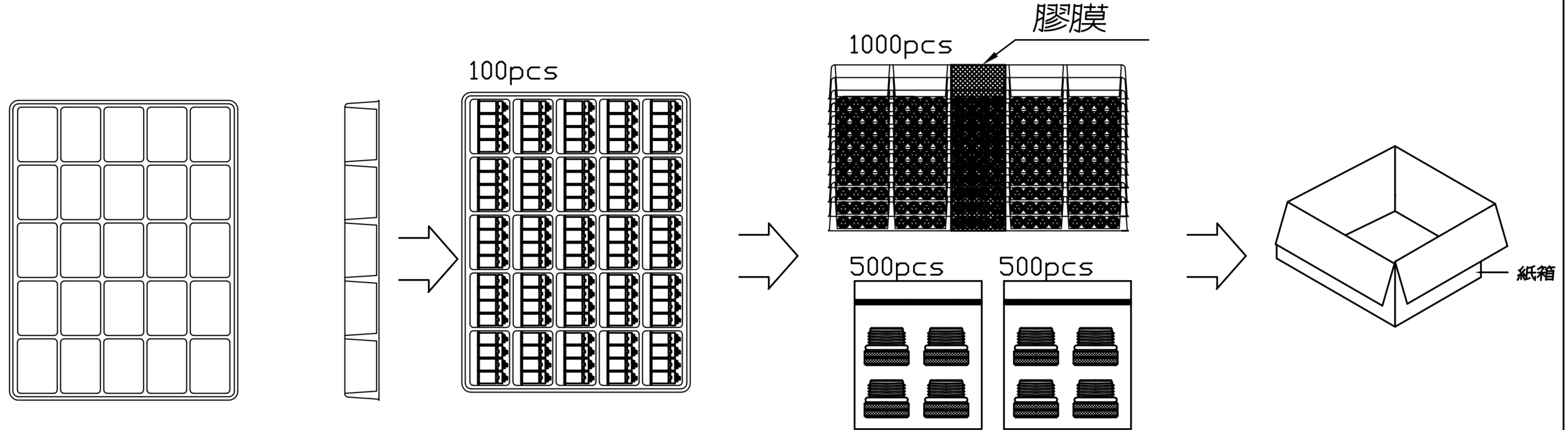
12PIN	10PIN
WP-12M2-01	WP-10M2-22-11
WP-12M2-08-11	

WP-10M2-22-11	10u" GOLD PLATED
WP-12M2-01	10u" GOLD PLATED
WP-12M2-08-11	GOLD FLASH PLATED
PART NO	FINISH

DRAWN	Mark Kao	APP'D	Ku Chou	UNIT	mm	TOLERANCE			广东科斯达电子科技有限公司 GUANG DONG KE SI DA ELECTRONIC TECHNOLOGY CO., LTD.	TITLE	WP M12 (M) 線端焊線式			SHEET	1/2
CHK'D	Emily Suen			SCALE	1:1					PART NO.	SEE TABLE A	DWG NO.	QC4340	VERSION	A

CUSTOMER DRAWING

REV.	DESCRIPTION	APPVL. BY	DATE	ECN NO.
△A	RELEASE	Fido Weng	16/09/11'	
△B				
△C				



步驟一:

1. 將成品一一放入包裝盤內,依同一方向置入.
2. 包裝方式,如圖所示.
3. 一個包裝盤100pcs.
4. 裝滿盤後堆層至10盤止,最上層為空盤做蓋子(不足盤也需放置)
5. 層疊盤後,在以膠膜固定

步驟二:

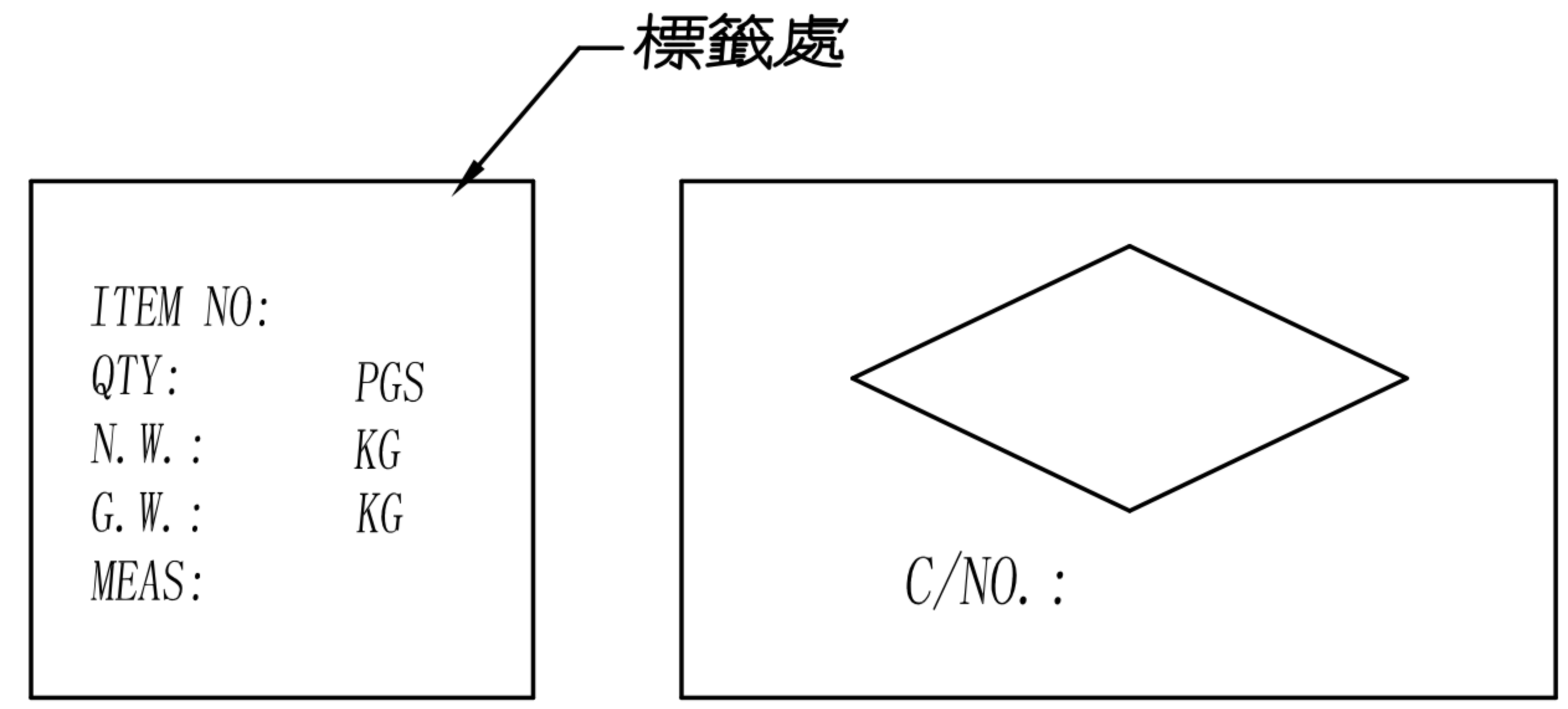
1. 將螺母放入PE袋
2. 每個PE袋裝500PCS後以熱封機熱封

步驟三:

1. 一個紙箱可以裝10個包裝盤.2袋PE袋
2. 每盤100pcs,每箱1000pcs.
3. 每包500pcs,每箱1000pcs.
4. 將包裝盤以及配件放紙箱中,後封箱.

步驟四:

1. 用膠帶將紙箱封實.
2. 將標籤貼於紙箱上.



NOTE:

1. 若有未裝滿之零數箱,必須以緩衝材塞滿.
2. 在搬運過程中要輕拿輕放.
3. 載運輸中不可堆放過多,不可有重壓現象.

DRAW	Ku Chou	APPVL	Fido Weng	UNIT	mm	TOLERANCE		广东科斯达电子科技有限公司 GUANG DONG KE SI DA ELECTRONIC TECHNOLOGY CO., LTD.	TITLE	WP M12 12PIN(M) 焊線式			SHEET	2
CHECK	Emily Suen			SCALE	1:1	.x ±0.20 .xx ±0.10 .xxx ±0.05 .xxxx ±0.03 ANGULA ±1°			PART NO.	WP-12M2-01	DWG NO.	QC4340	VERSION	A