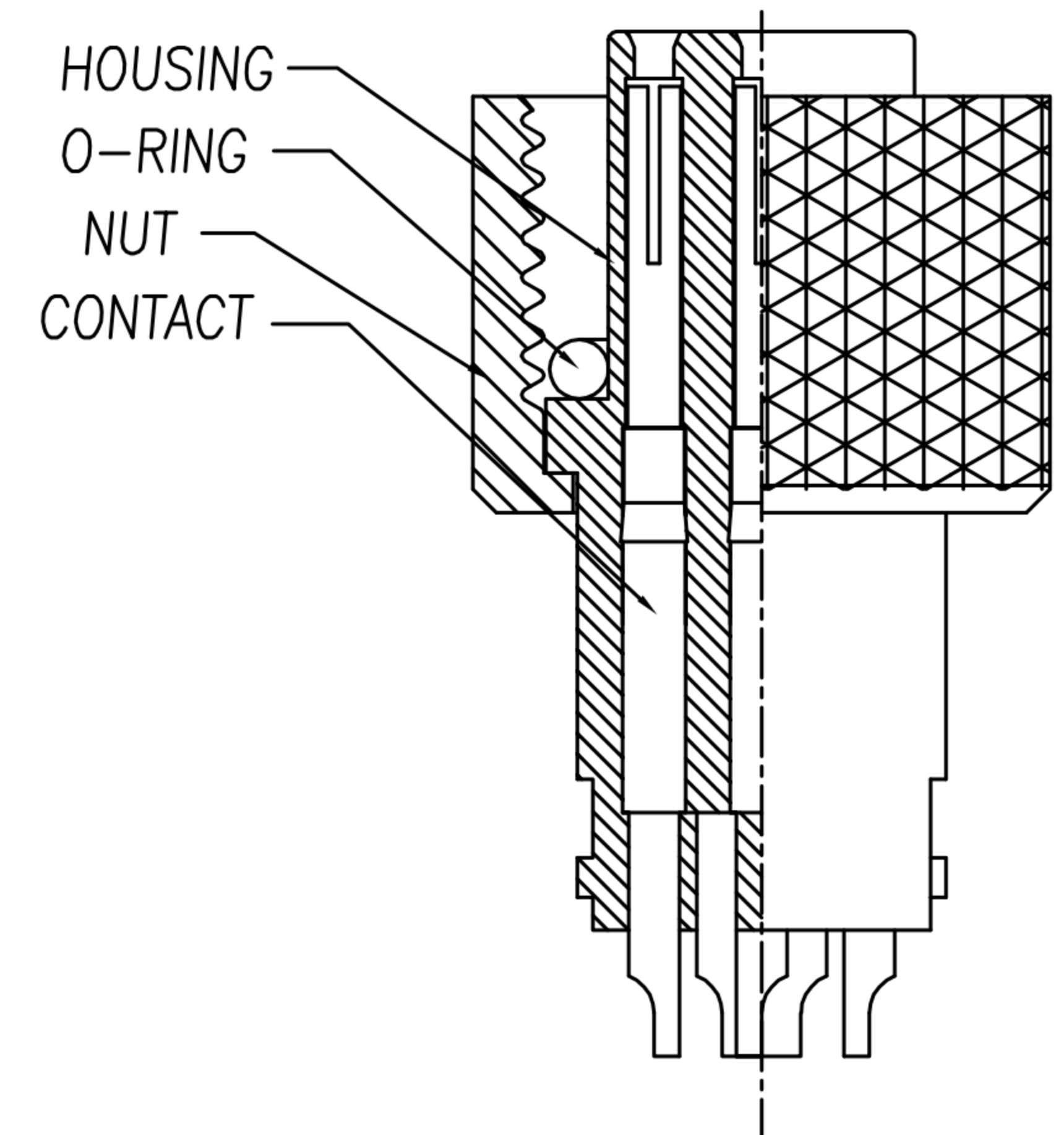
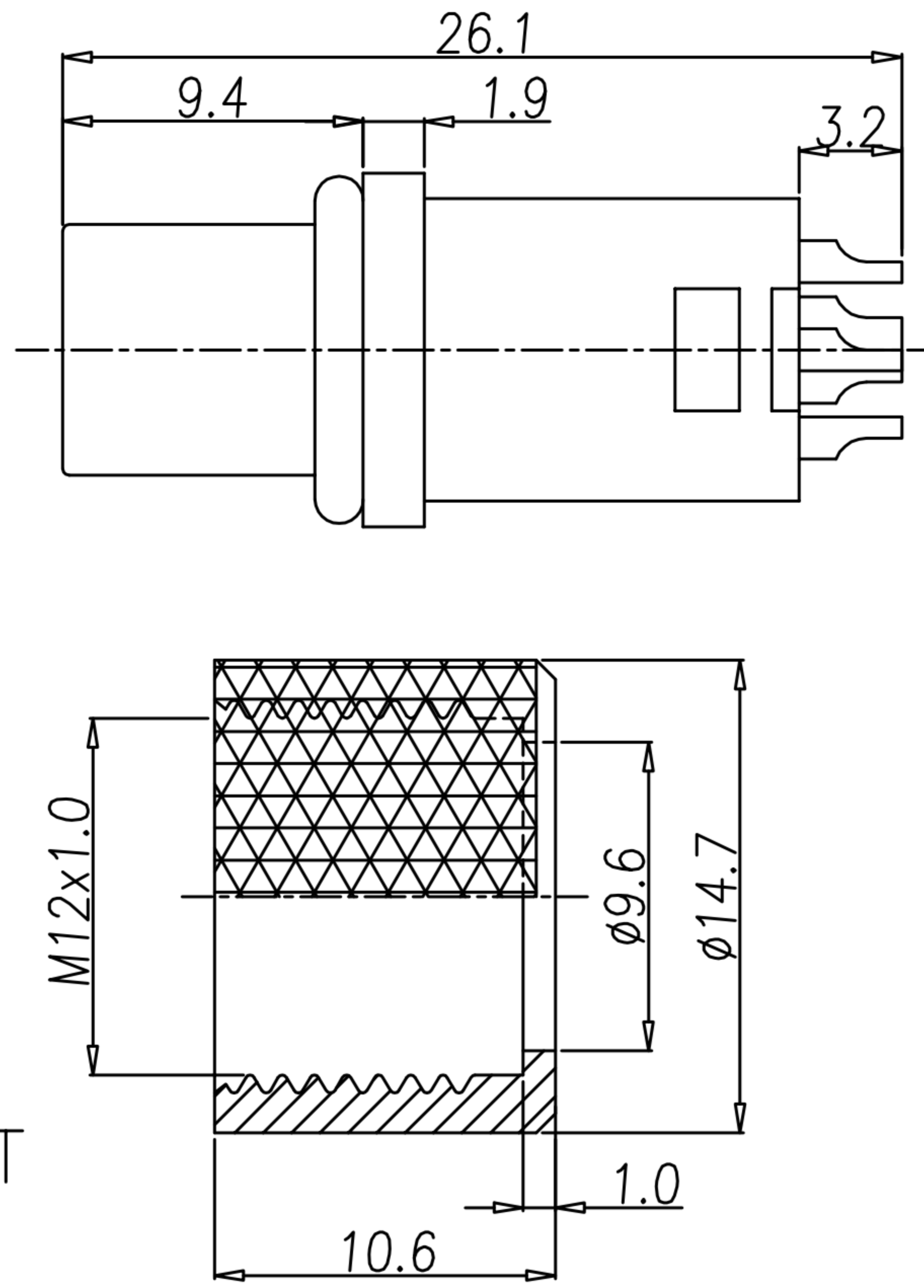
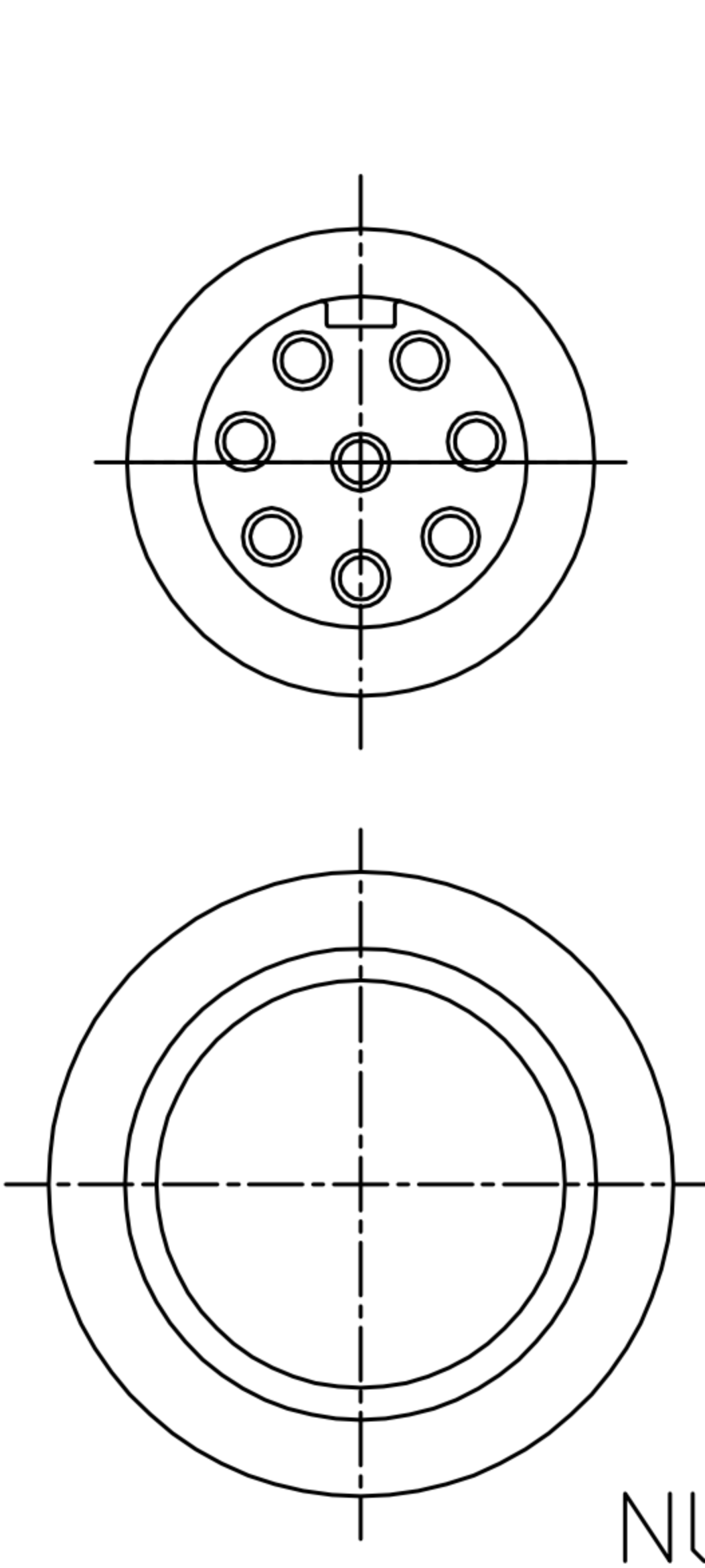


CUSTOMER DRAWING

REV.	DESCRIPTION	APPROVED BY	DATE	ECN NO.
△A	RELEASE	Fido Weng	21/06/12*	
△B	ADD P/N	Ku Chou	07/02/20*	
△C				

TABLE A

	8PIN	WP-08F2-41	WP-08F2-143-11
	7PIN	WP-07F2-16-11	
	6PIN	WP-06F2-74-11	WP-06F2-97-11



- MATERIAL :
 - 1-1. HOUSING : PBT UL94V-0 ; COLOR : BLACK
 - 1-2. CONTACT : BRASS
 - 1-3. NUT : SEE TABLE A
 - 1-4. O-RING : EPDM ; COLOR : BLACK
- FINISH :
 - 2-1. CONTACT : SEE TABLE A
UNDER PLATE : NICKEL
 - 2-2. NUT : SEE TABLE A
- ELECTRICAL SPECIFICATION :
 - 3-1. Rated current : 2A
 - 3-2. Rated voltage : 30V
 - 3-3. Water proof : IP67
- Environmental :
 - 4-1. Operation Temperature : -40℃~105℃

WP-08F2-143-11	STAINLESS STEEL 316	-	10u" GOLD PLATED
WP-08F2-41	BRASS	NICKEL PLATED	GOLD FLASH PLATED
WP-07F2-16-11	BRASS	NICKEL PLATED	GOLD FLASH PLATED
WP-06F2-97-11	BRASS	NICKEL PLATED	10u" GOLD PLATED
WP-06F2-74-11	BRASS	NICKEL PLATED	GOLD FLASH PLATED
PART No.	MATERIAL(NUT)	FINISH(NUT)	FINISH(CONTACT)

DRAWN	Emily Suen	APP'D	Ku Chou	UNIT	mm	TOLERANCE			广东科斯达电子科技有限公司 GUANG DONG KE SI DA ELECTRONIC TECHNOLOGY CO., LTD.	TITLE	防水头 (F) +M12牙環成品(長膠芯)			SHEET	1
CHK'D	Ku Chou			SCALE	1:1					PART NO.	SEE TABLE A	DWG NO.	QC6091	VERSION	