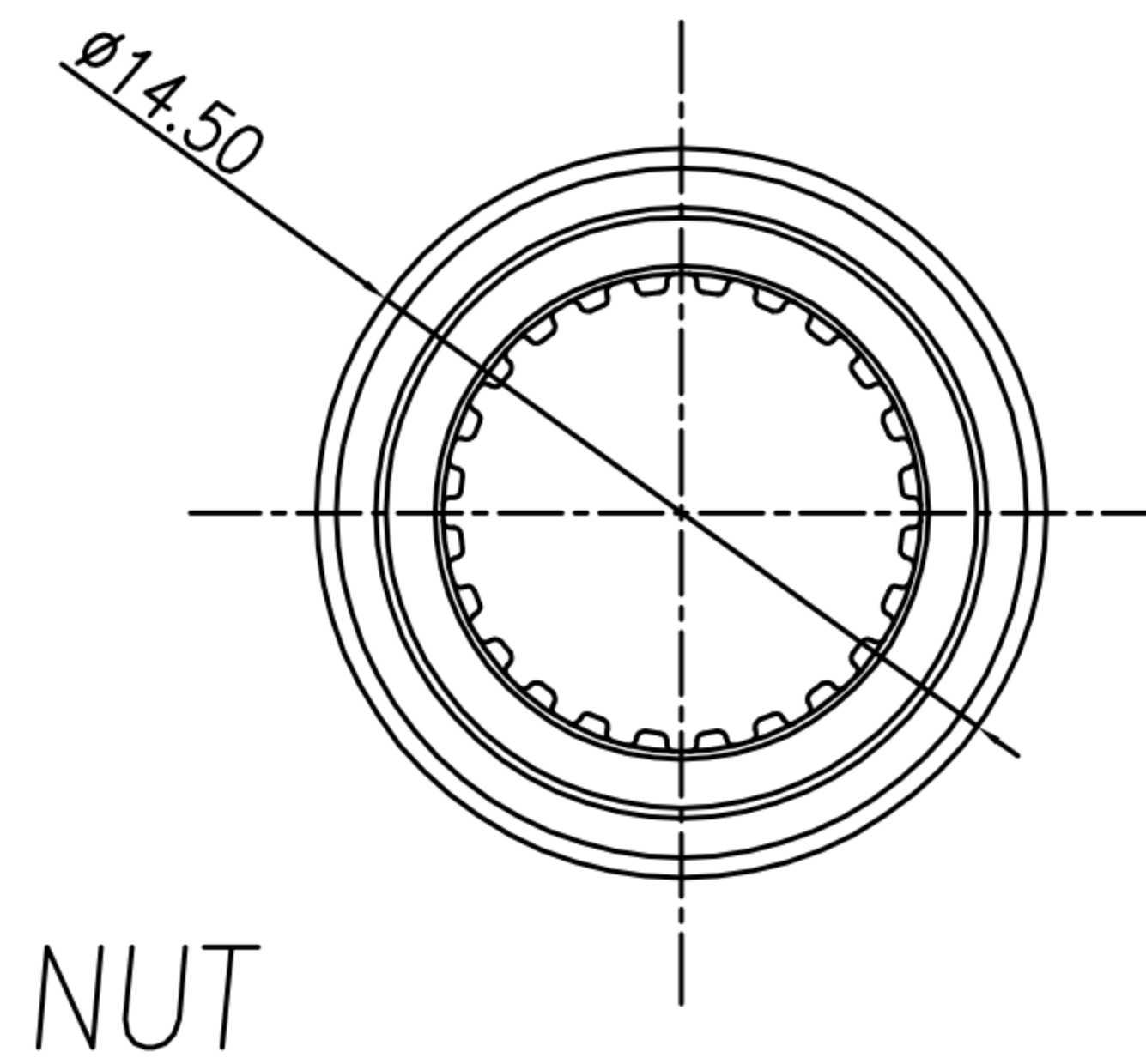


CUSTOMER DRAWING

REV.	DESCRIPTION	APPROVED BY	DATE	ECN NO.
A	RELEASE	Fido Weng	07/02/14*	
B				
C				



NUT

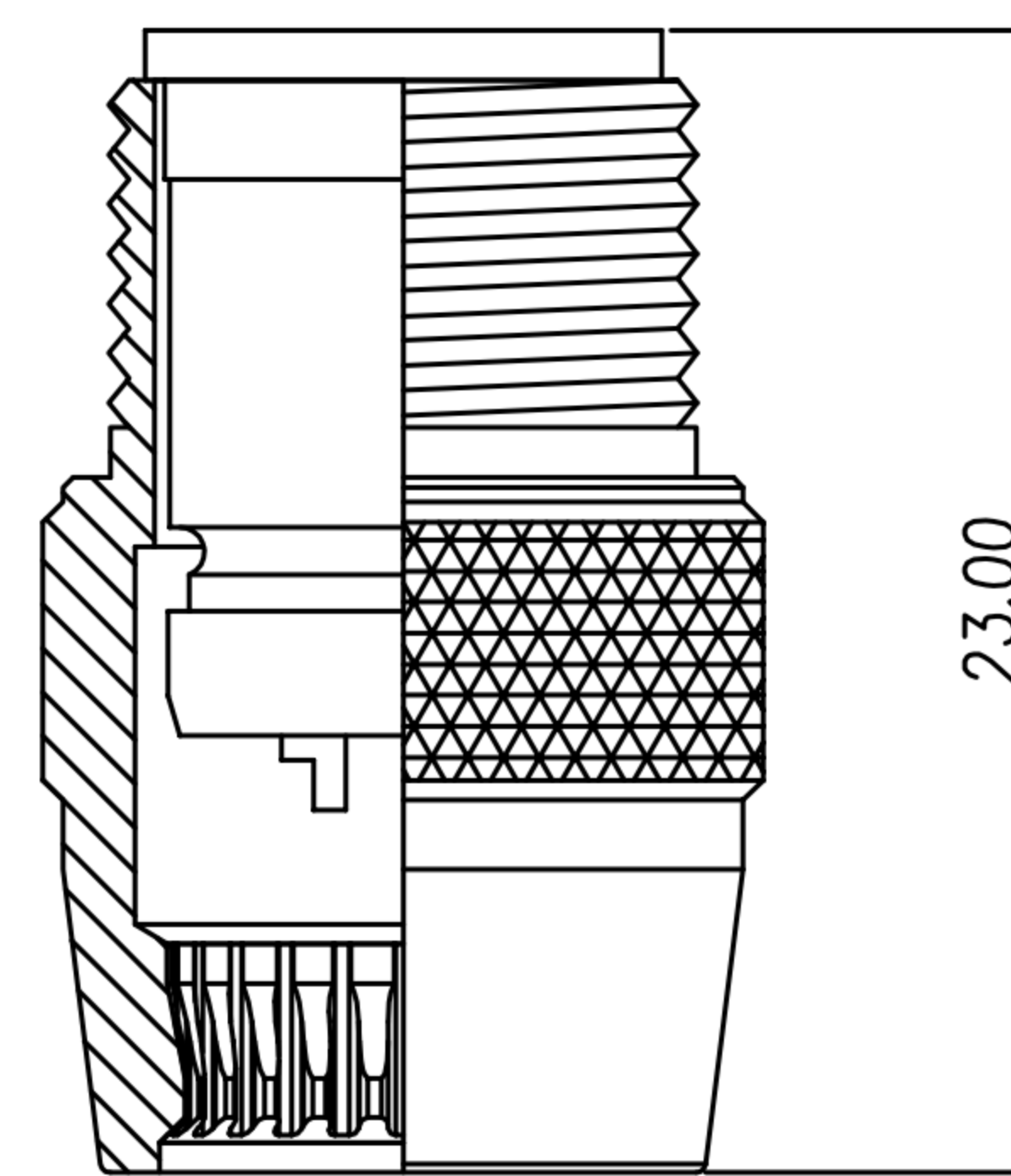
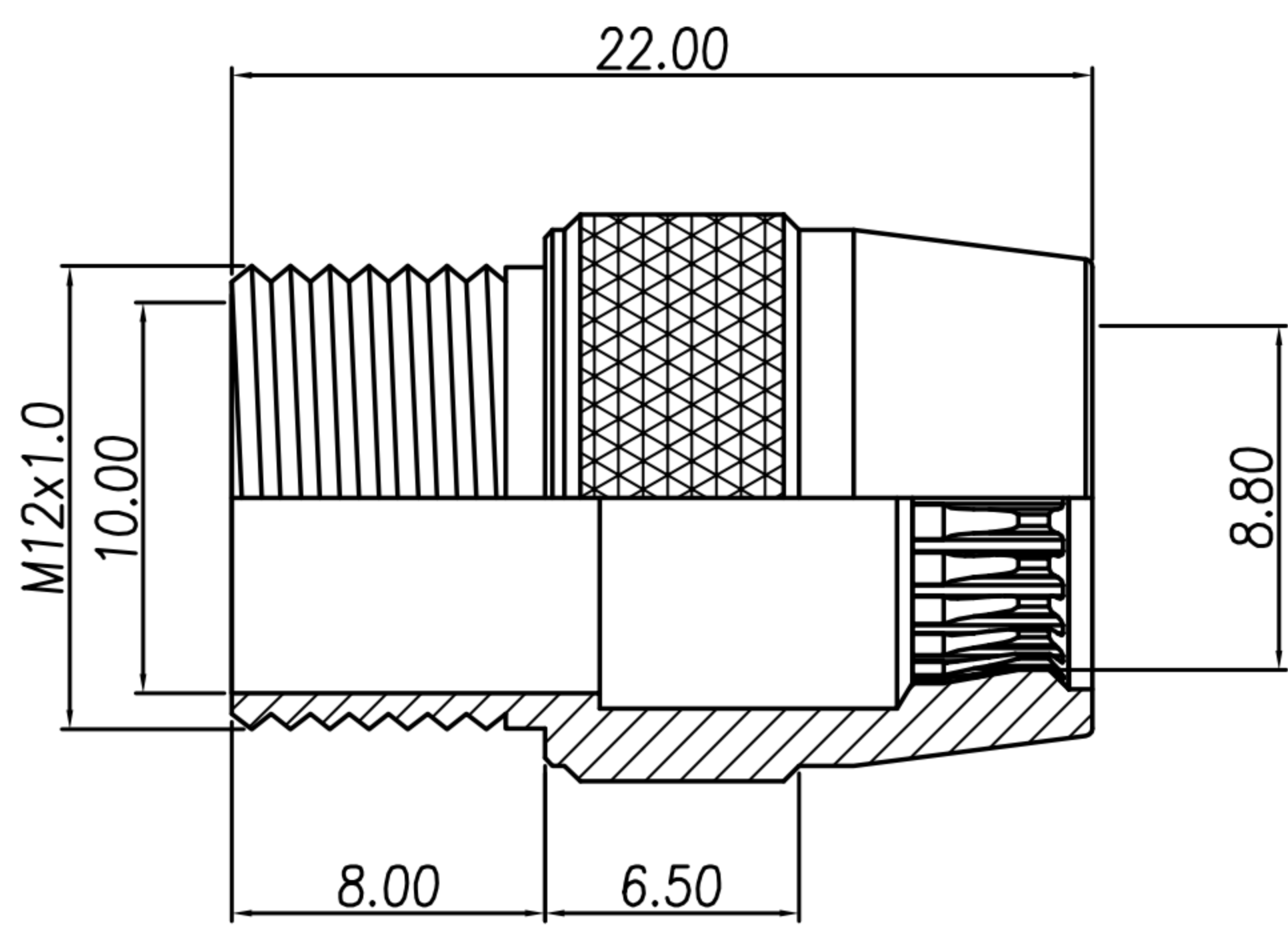
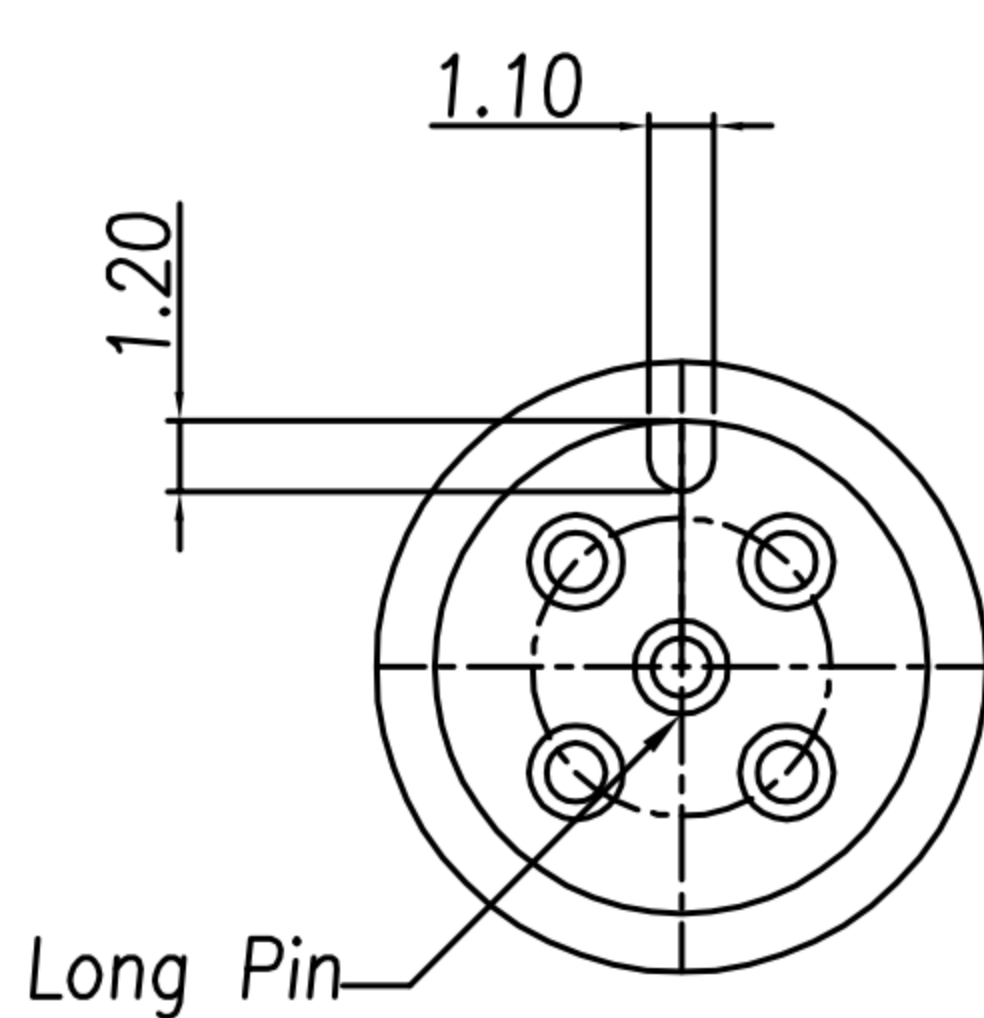
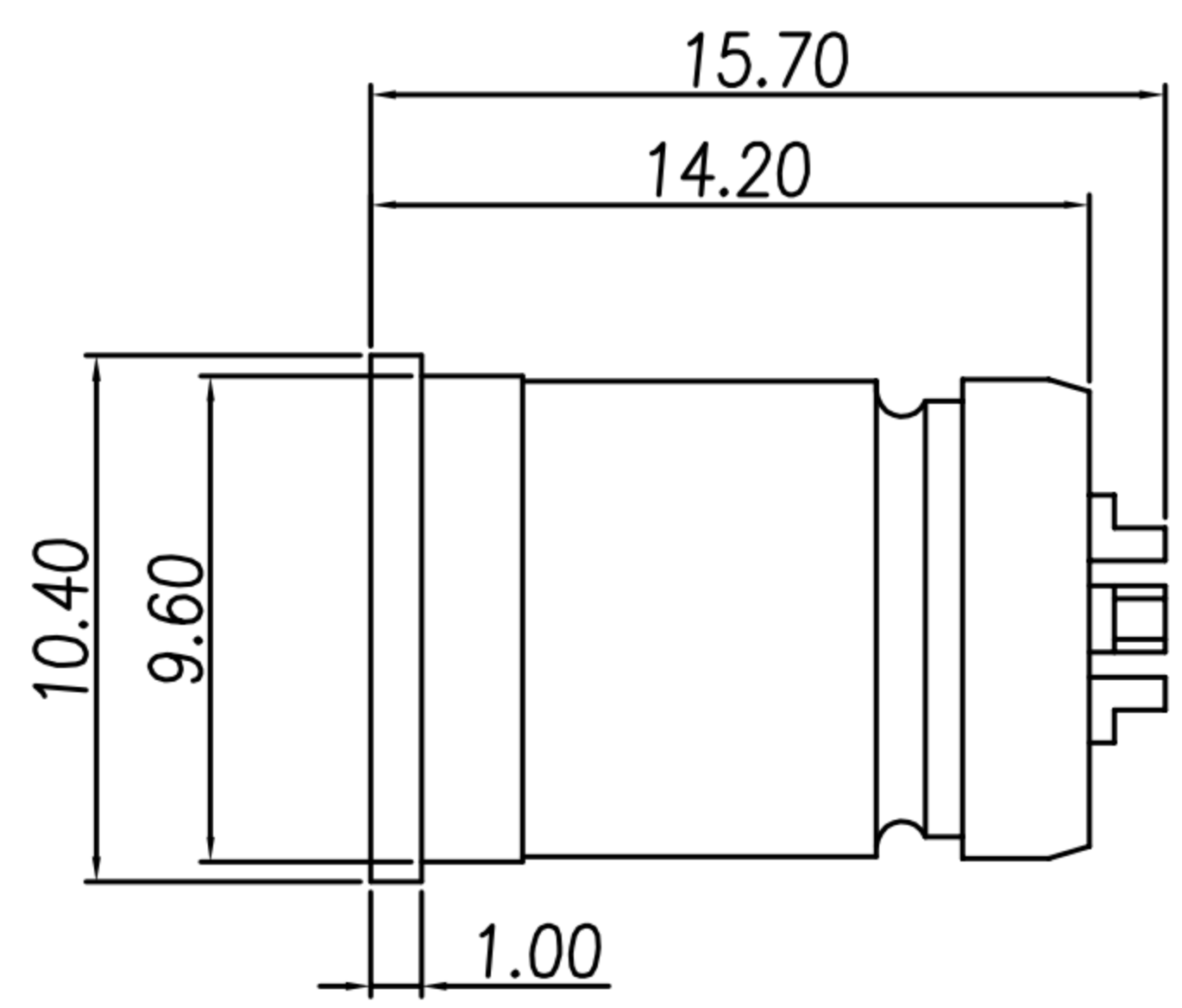


TABLE A

	5PIN
WP-05M2-78-11	
	4PIN
WP-04M2-91-11	



HOUSING&CONTACT



- MATERIAL :
 - HOUSING : PBT UL94V-0 ; COLOR : BLACK
 - CONTACT : BRASS
 - SHELL : BRASS
- FINISH :
 - CONTACT : GOLD FLASH PLATED
 - SHELL : NICKEL PLATED
- ELECTRICAL SPECIFICATION :
 - Rated current : 4A
 - Rated Voltage : 4PIN 250V ; 5PIN 60V
 - Water proof : IP68
- Environmental :
 - Operation Temperature : $-40^{\circ}\text{C} \sim 105^{\circ}\text{C}$

DRAWN	Ku Chou	APP'D	Emily Suen	UNIT	mm	TOLERANCE		广东科斯达电子科技有限公司 GUANG DONG KE SI DA ELECTRONIC TECHNOLOGY CO., LTD.	TITLE	M12 (M) A-Code 成形焊線式長銅管(止滑)			SHEET	1
CHK'D	Emily Suen			SCALE	1:1	.x ± 0.20 .xx ± 0.10 .xxx ± 0.05 .xxxx ± 0.01 ANGULA $\pm 1^{\circ}$			PART NO.	SEE TABLE A	DWG NO.	QC6483	VERSION	A