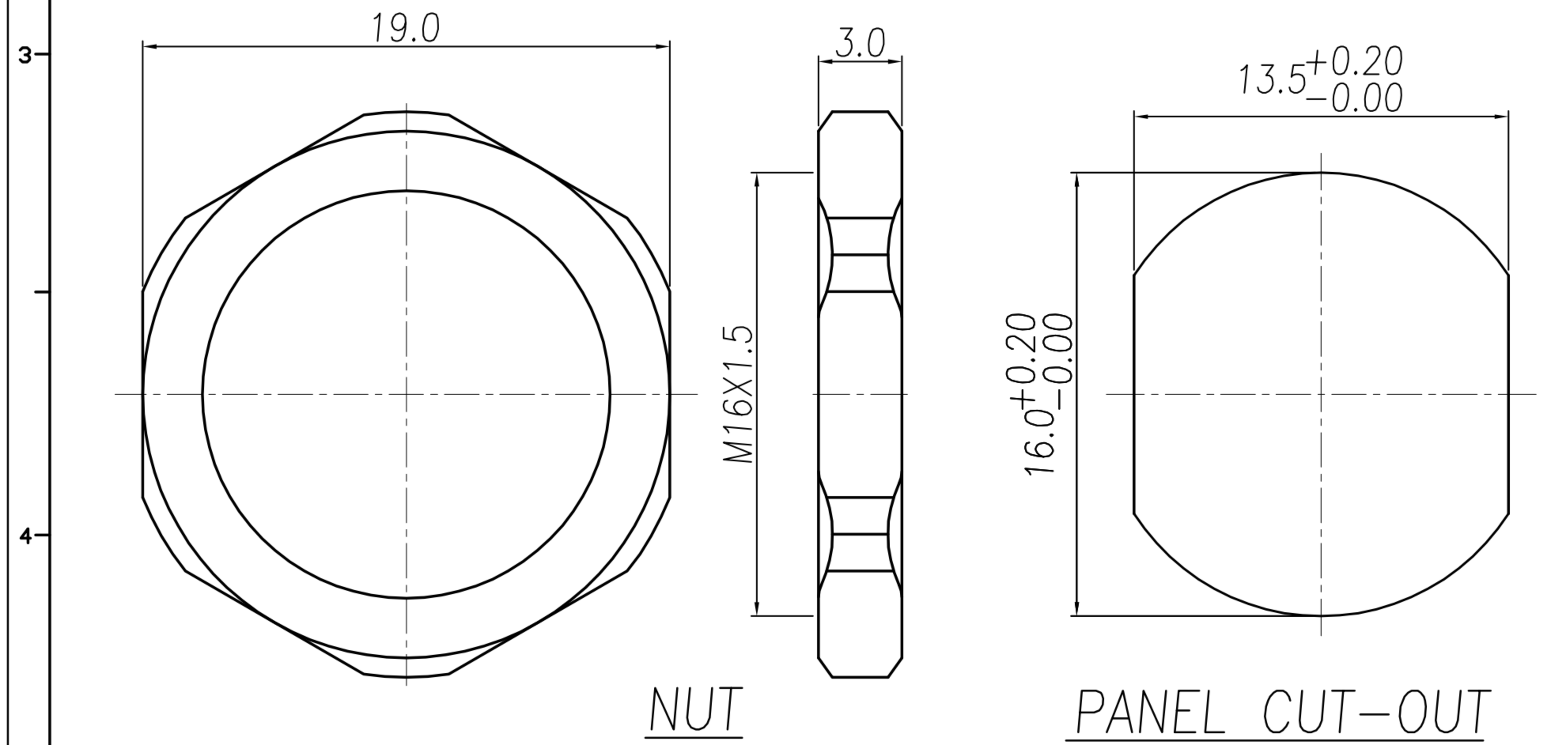


CUSTOMER DRAWING

REV.	DESCRIPTION	APPROVED BY	DATE	ECN NO.
△	RELEASE	Ku Chou	17/03/20*	

Table A

WP-04M2-203-11	WP-03M2-116-11



NUT

PANEL CUT-OUT

- MATERIAL :
  - HOUSING : PA66 UL94V-0 ; COLOR : BLACK
  - CONTACT : BRASS
  - SHELL : BRASS
  - O-RING : EPDM
  - NUT : BRASS
- FINISH :
  - CONTACT : 10u" MIN. GOLD PLATED  
UNDER PLATE : NICKEL
  - SHELL : NICKEL PLATED
  - NUT : NICKEL PLATED
- ELECTRICAL SPECIFICATION :
  - Rated current : 12A
  - Rated Voltage : 630V
  - Water proof: IP67/68
- Environmental :
  - Operation Temperature : -40℃~105℃

DRAWN	Emily Suen	APP'D	Ku Chou	UNIT	mm	TOLERANCE		广东科斯达电子科技有限公司 GUANG DONG KE SI DA ELECTRONIC TECHNOLOGY CO., LTD.	TITLE	M12 S-CODING (M) 前鎖板(M16X1.5) 焊線式			SHEET	
CHK'D	Ku Chou			SCALE	1:1	.x ±0.20 .xx ±0.10 .xxx ±0.05 .xxxx ±0.03 ANGULA ±1°			PART NO.	SEE TABLE A	DWG NO.	QC9608	VERSION	