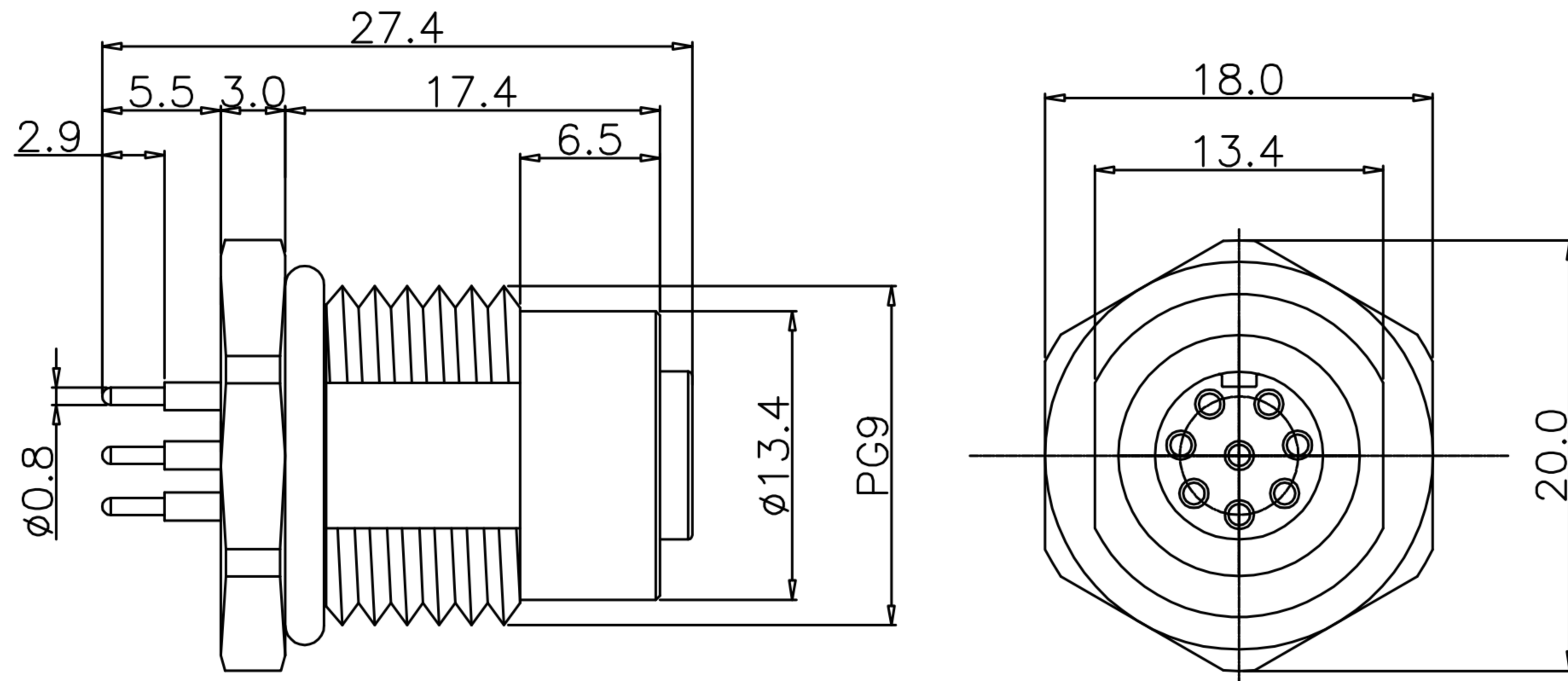


CUSTOMER DRAWING

REV.	DESCRIPTION	APPROVED BY	DATE	ECN NO.
△A	RELEASE	Fido Weng	17/11/10'	
△B	ADD P/N	KU CHOU	22/01/21'	
△C				

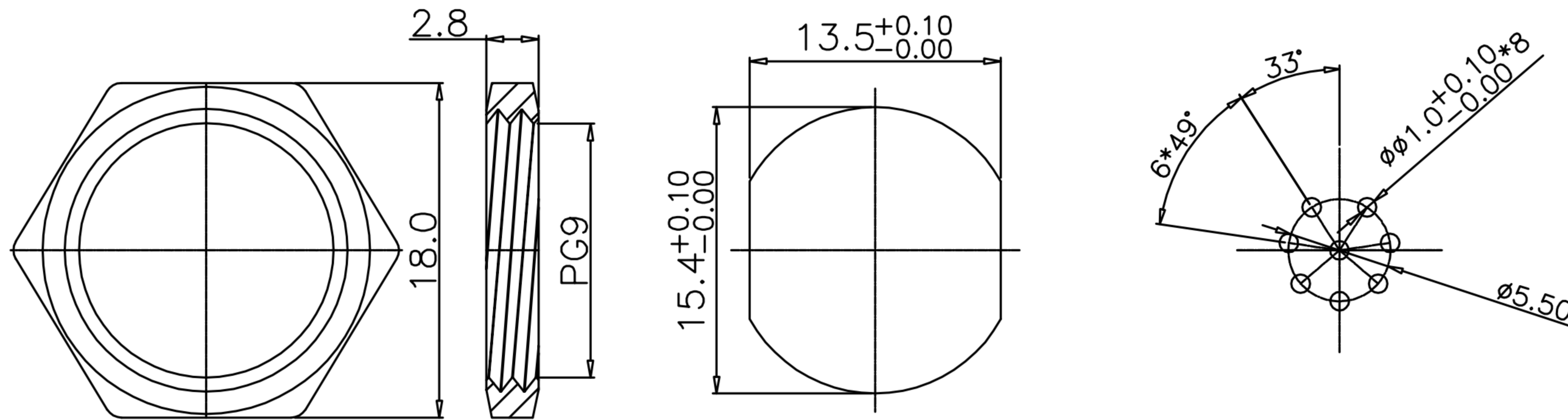


8PIN	7PIN	6PIN	6PIN
WP-08F2-31 WP-08F2-73-11 WP-08F3-12-11	WP-07F3-01-11	WP-06F2-21	WP-06F3-05-11

Pin Assignments
Front View

TABLE A

PART NO	MATERIAL(SHELL&NUT)	FINISH(SHELL&NUT)	FINISH(CONTACT)
WP-08F3-12-11	STAINLESS STEEL 316	-	GOLD 10u"
WP-08F2-73-11	BRASS	NICKEL PLATED	GOLD FLASH
WP-08F2-31	BRASS	NICKEL PLATED	GOLD 10u"
WP-07F3-01-11	BRASS	NICKEL PLATED	GOLD 10u"
WP-06F2-21	BRASS	NICKEL PLATED	GOLD 10u"
WP-06F3-05-11	BRASS	NICKEL PLATED	GOLD 10u"



NUT

RECOMMEND PANEL CUT-OUT RECOMMEND P.C.B LAYOUT

1. MATERIAL :
 - 1-1. HOUSING : PBT UL94V-0 ; COLOR : BLACK
 - 1-2. CONTACT : BRASS
 - 1-3. NUT : SEE TABLE A
 - 1-4. SHELL : SEE TABLE A
 - 1-5. O-RING : EPDM
2. FINISH :
 - 2-1. CONTACT : SEE TABLE A
 - 2-2. NUT : SEE TABLE A
 - 2-3. SHELL : SEE TABLE A
3. ELECTRICAL SPECIFICATION :
 - 3-1. Rated current : 2A
 - 3-2. Rated voltage : 30V
 - 3-3. Water proof : IP67
4. Environmental :
 - 4-1. Operation Temperature : -40℃~85℃

DRAWN	EMILY SUEN	APP'D	KU CHOU	UNIT	mm	TOLERANCE		广东科斯达电子科技有限公司 GUANG DONG KE SI DA ELECTRONIC TECHNOLOGY CO., LTD.	TITLE	防水头 M12 (F) 前锁 Pg9 插件式			SHEET	1/2
CHK'D	KU CHOU			SCALE	1:1				PART NO.	SEE TABLE A	DWG NO.	QC5574	VERSION	B