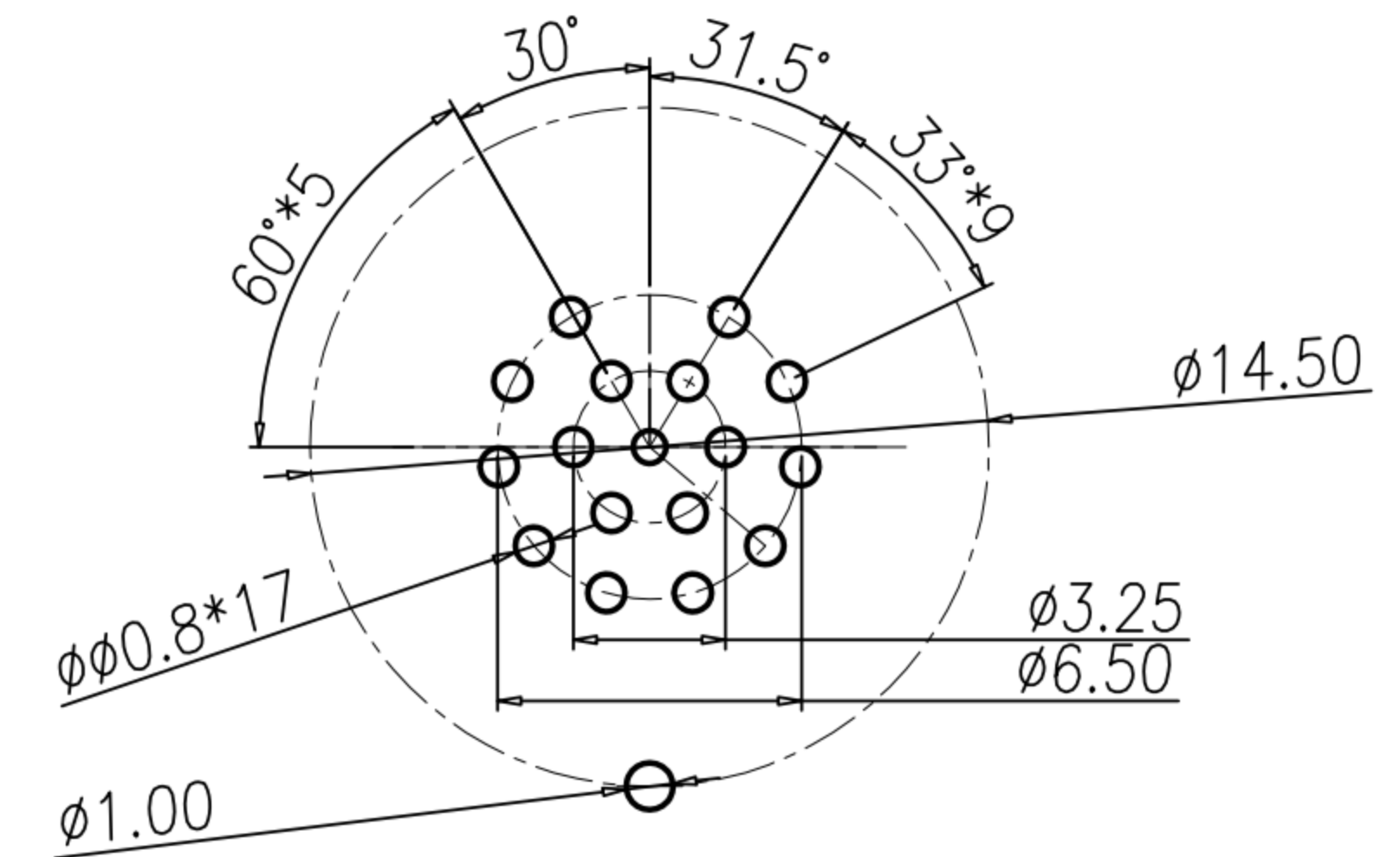
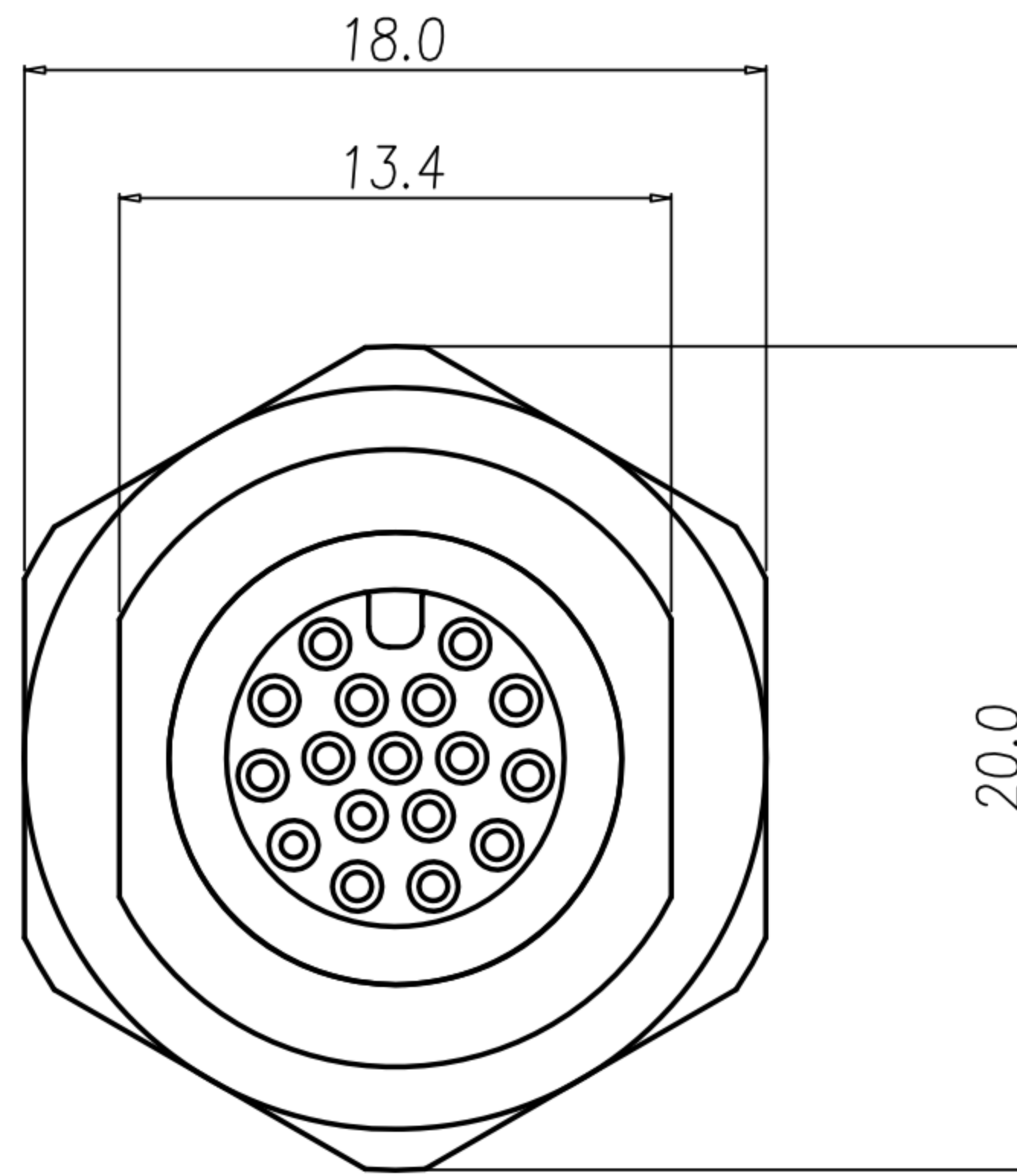
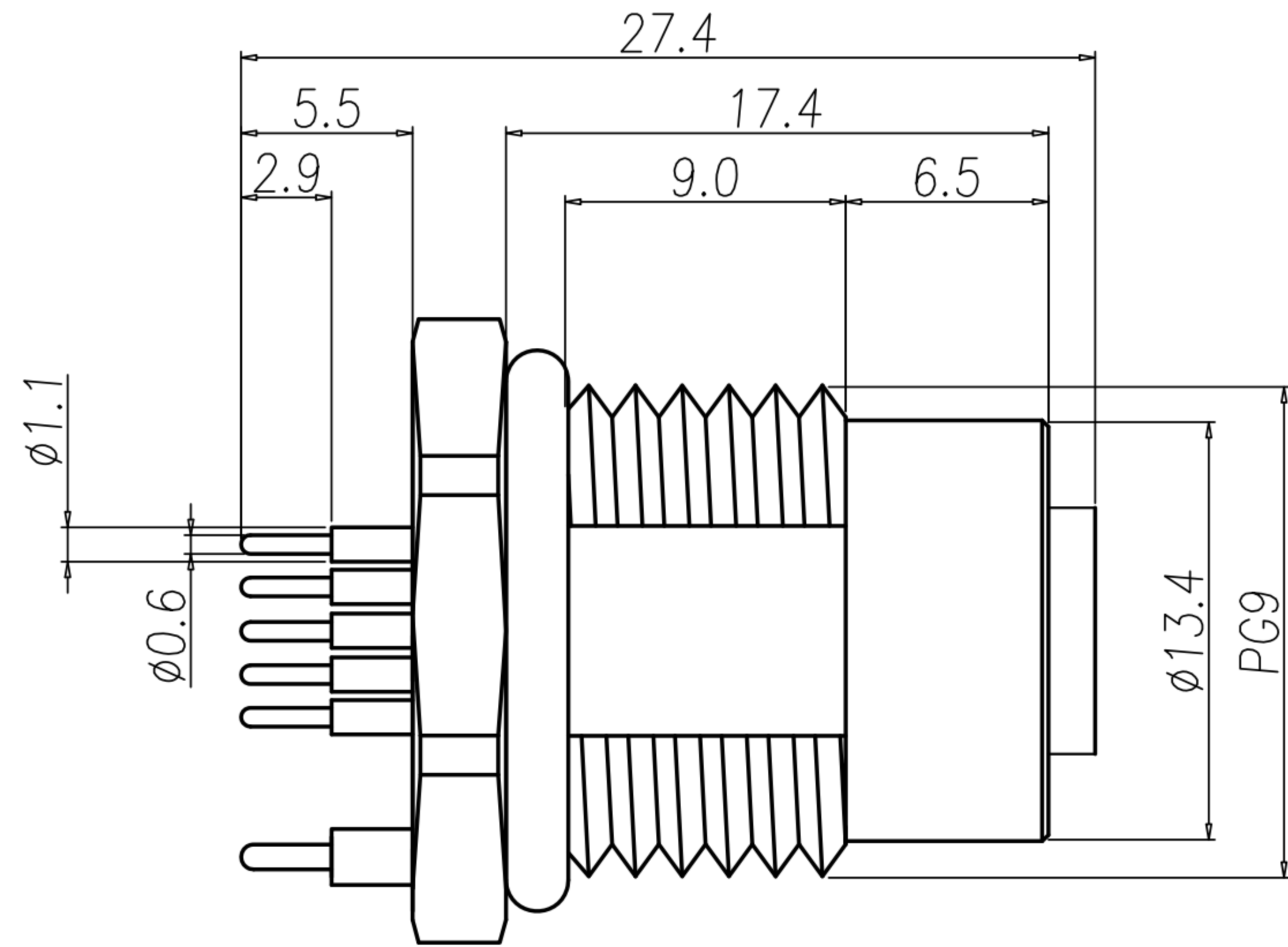
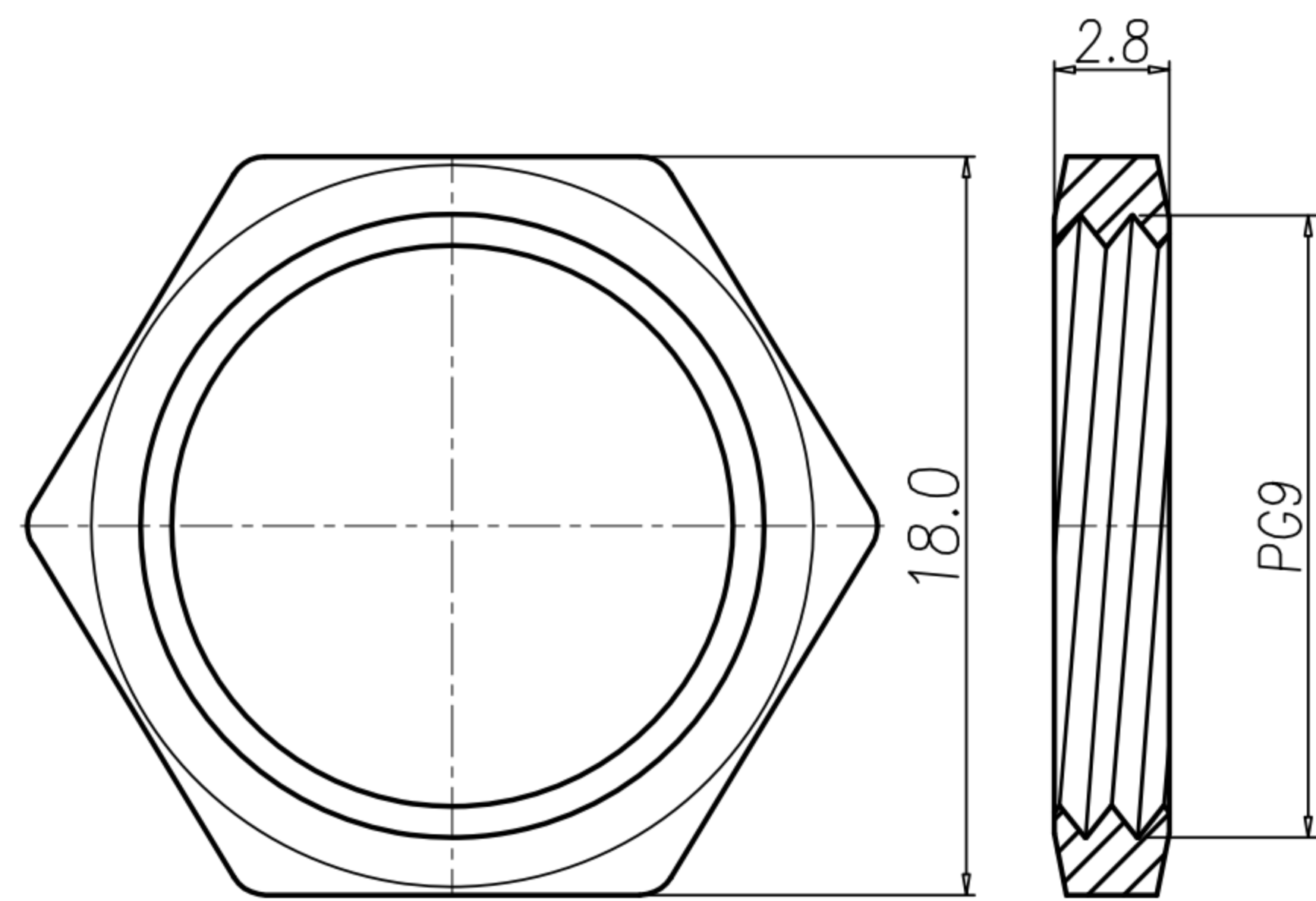


CUSTOMER DRAWING

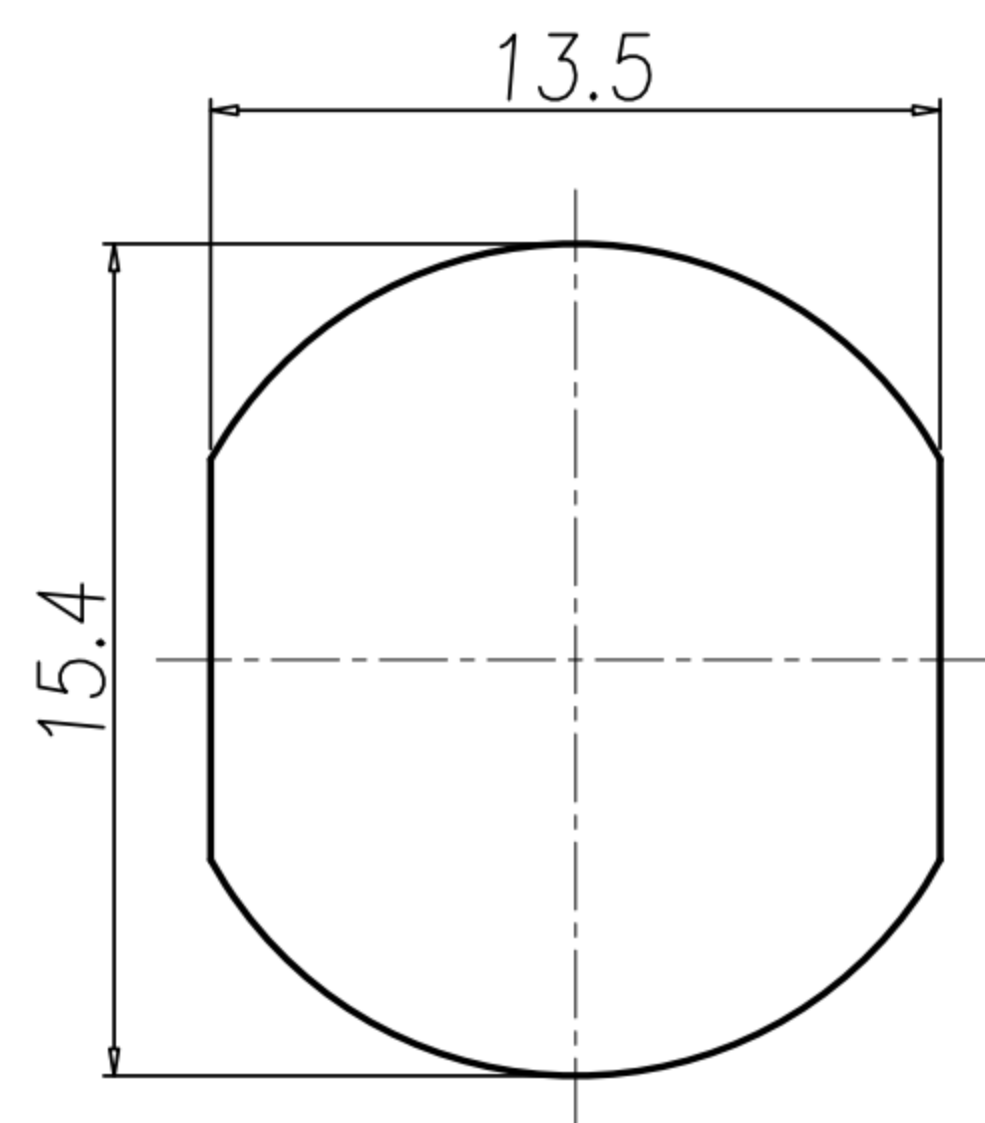
REV.	DESCRIPTION	APPROVED BY	DATE	ECN NO.
A	RELEASE	KU CHOU	22/01/21*	
B				
C				



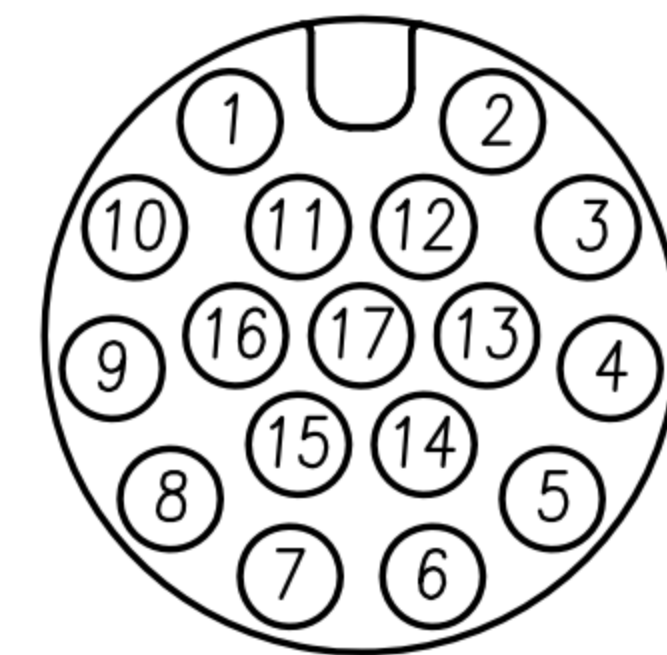
RECOMMEND P.C.B LAYOUT



NUT



RECOMMEND PANEL CUT-OUT



PIN ASSIGNMENTS FRONT VIEW

- MATERIAL :
 - 1-1. HOUSING : PBT UL94V-0 ; COLOR : BLACK
 - 1-2. CONTACT : BRASS
 - 1-3. NUT : BRASS
 - 1-4. SHELL : BRASS
 - 1-5. O-RING : EPDM ; COLOR : BLACK
- FINISH :
 - 2-1. CONTACT : 10 MICRO INCHES MIN. GOLD PLATED
UNDER PLATE : NICKEL
 - 2-2. NUT : NICKEL PLATED
 - 2-3. SHELL : NICKEL PLATED
- ELECTRICAL SPECIFICATION :
 - 3-1. Rated current : 1.5A
 - 3-2. Rated voltage : 30V
 - 3-3. Water proof : IP67
- Environmental :
 - 4-1. Operation Temperature : -40°C~85°C

DRAWN	EMILY SUEN	APP'D	KU CHOU	UNIT	mm	TOLERANCE			TITLE	M12 17PIN(F) 前鎖PG9 DIP式(無溝槽/銑雙邊+接地)			SHEET	1
CHK'D	KU CHOU			SCALE	1:1				PART NO.	WP-17F3-02-11	DWG NO.	QC10080	VERSION	A

广东科斯达电子科技有限公司
GUANG DONG KE SI DA ELECTRONIC TECHNOLOGY CO., LTD.