

CUSTOMER DRAWING

REV.	DESCRIPTION	APPROVED BY	DATE	ECN NO.
△A	RELEASE	Fido Weng	26/05/09'	
△B				
△C				

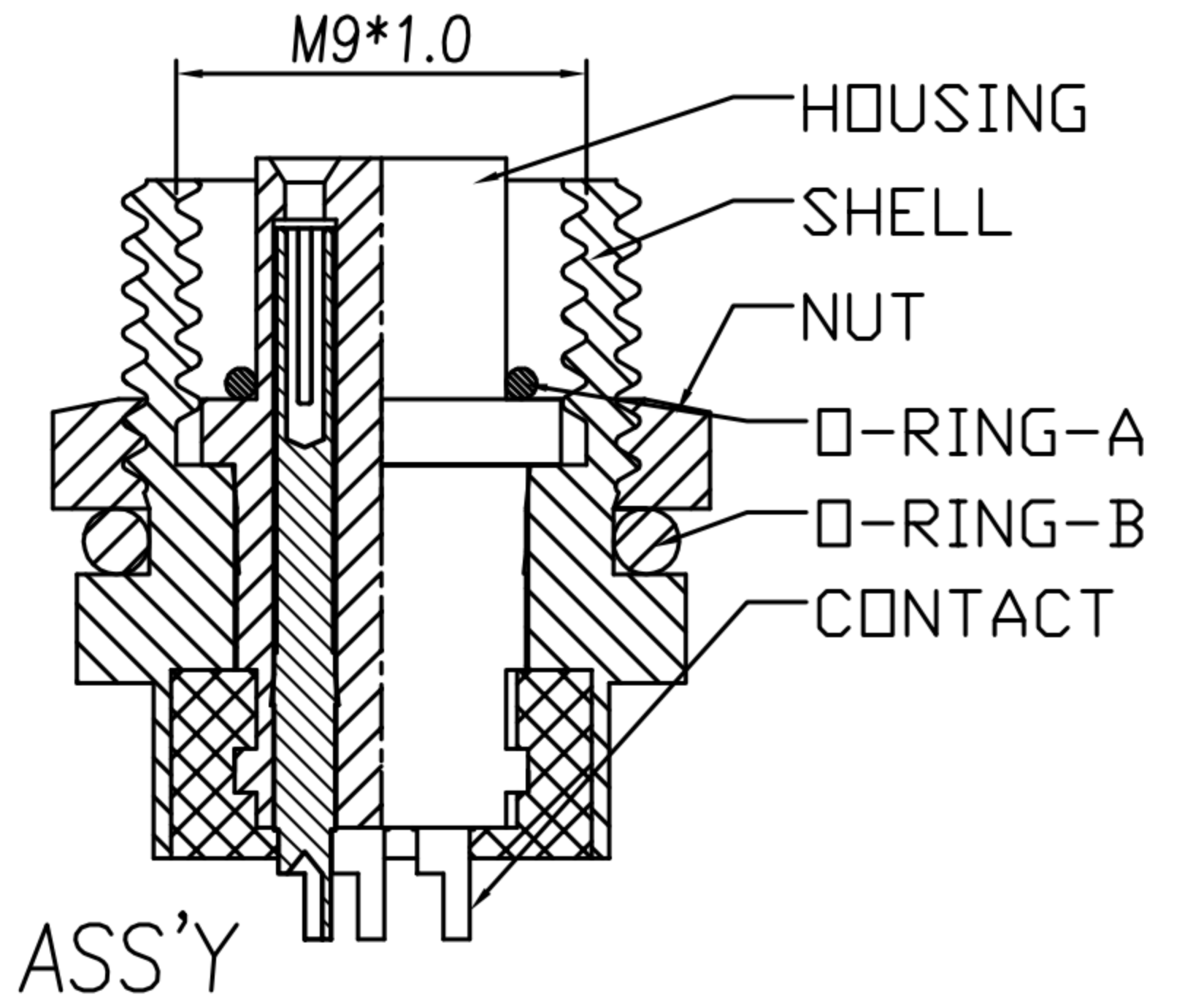
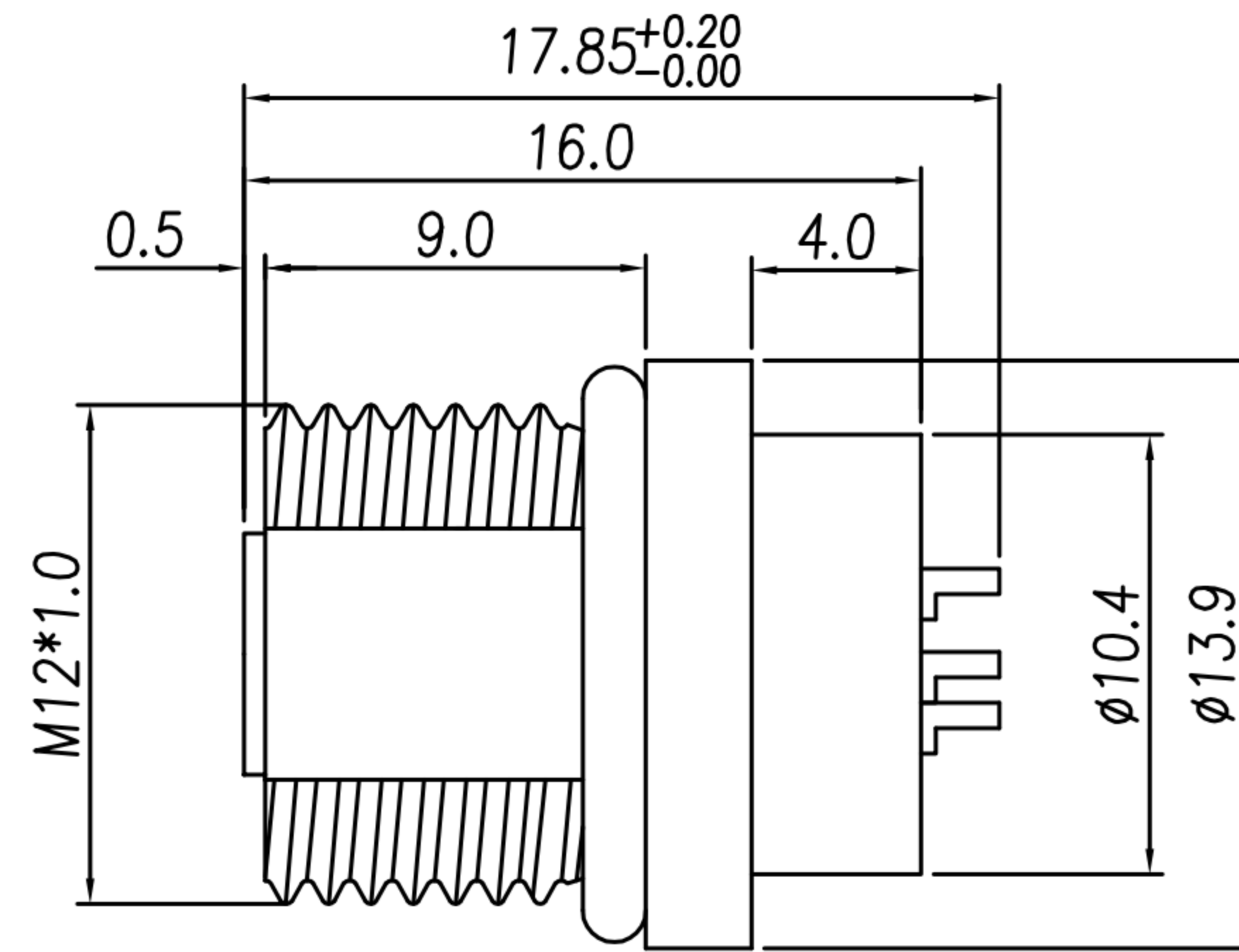
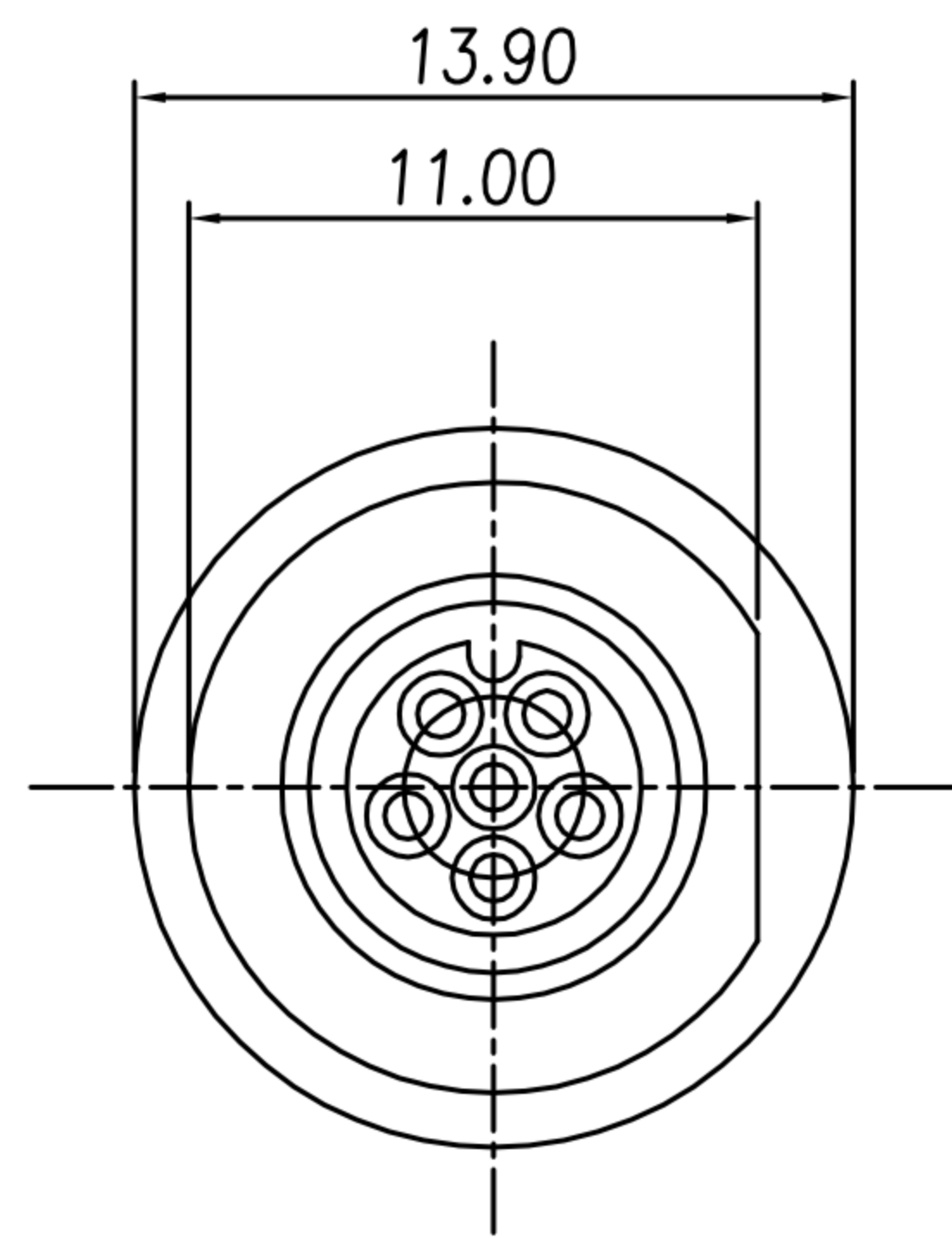
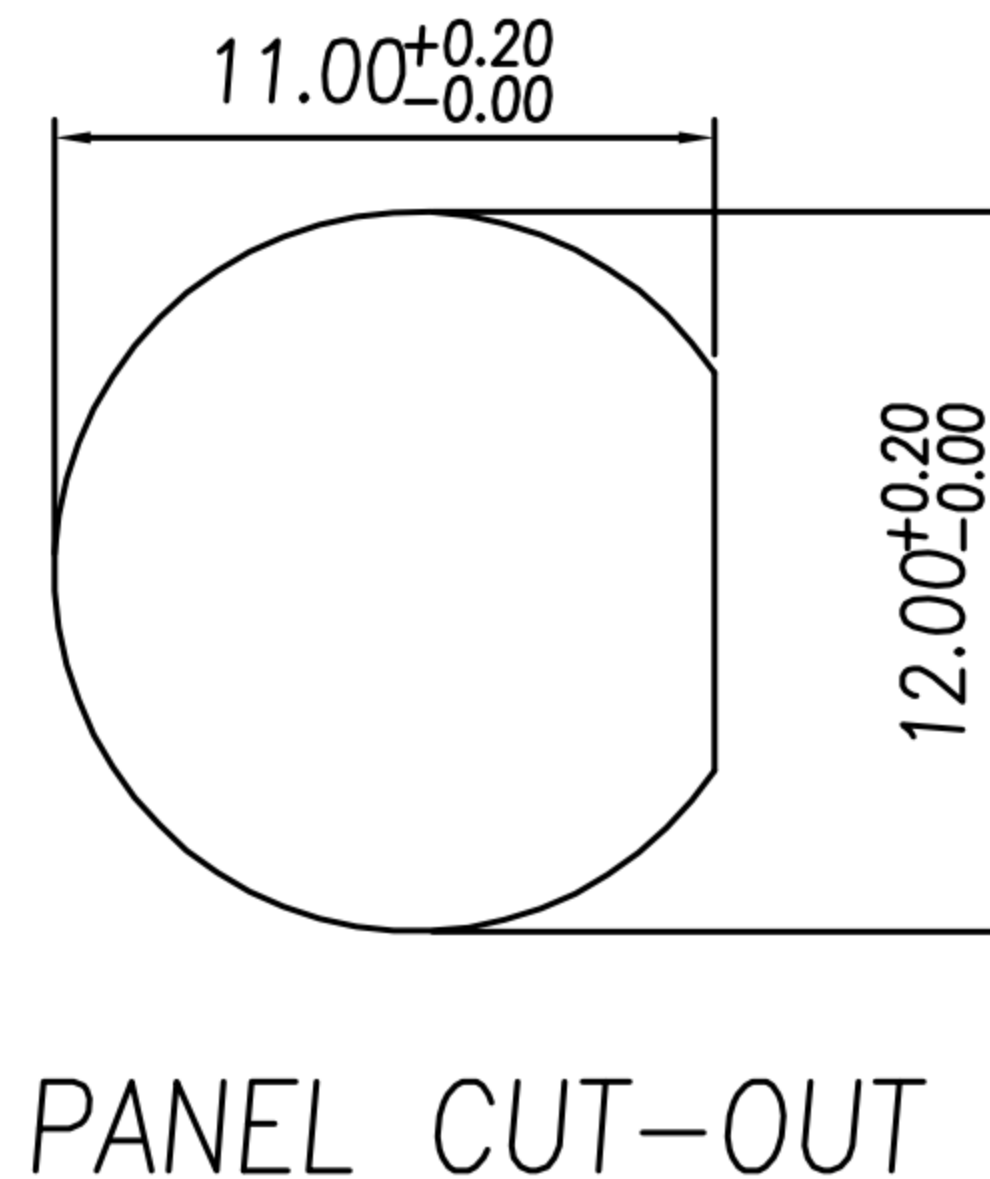
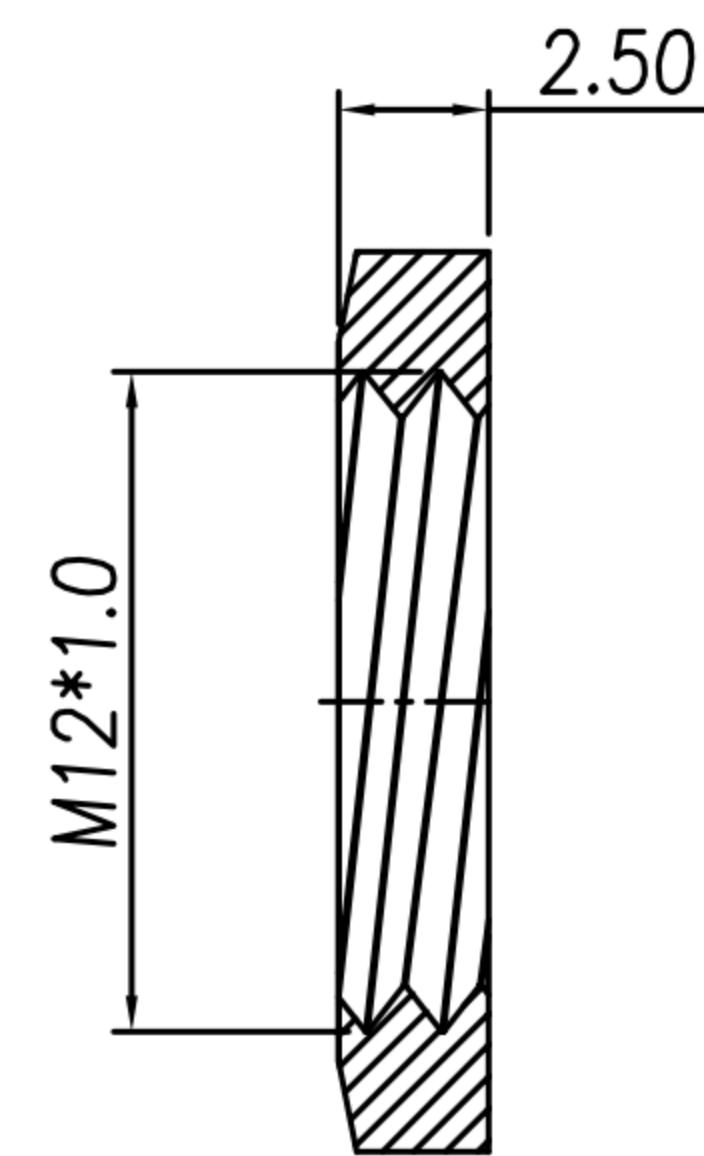
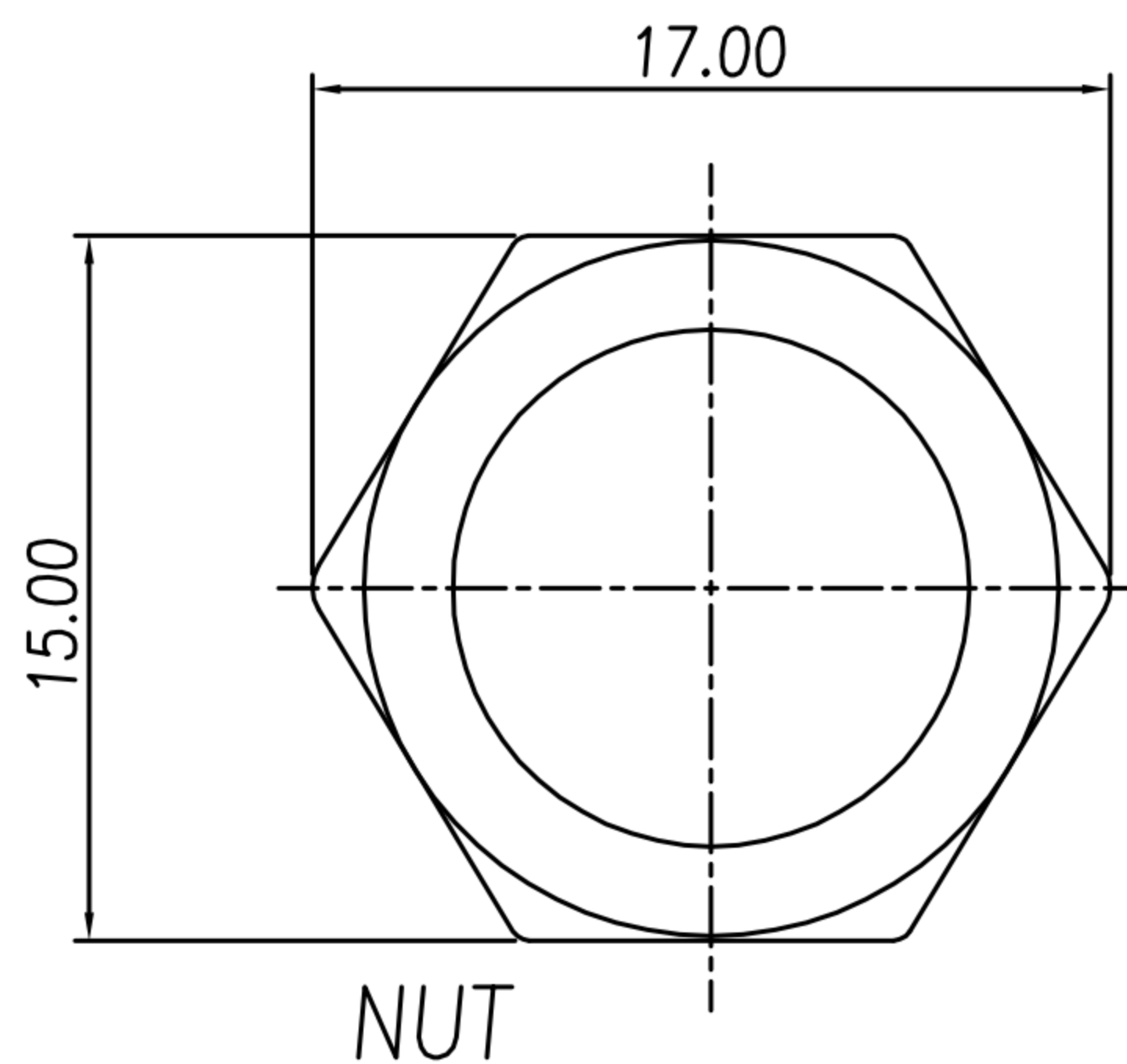


TABLE A

WP-05F2-32 WP-05F2-51	WP-06F2-08	
WP-05F2-51	BLACK NICKEL PLATED	BLACK NICKEL PLATED
WP-06F2-08	NICKEL PLATED	NICKEL PLATED
WP-05F2-32	NICKEL PLATED	NICKEL PLATED
PART No.	FINISH(SHELL)	FINISH(NUT)



- MATERIAL :
 - HOUSING : PBT UL94V-0 ; COLOR : BLACK
 - CONTACT : BRASS
 - O-RING A : NBR; COLOR : BLACK
 - O-RING B : EPDM ; COLOR : BLACK
 - NUT : BRASS
 - SHELL : BRASS
- FINISH :
 - CONTACT : 10 MICRO INCHES MIN. GOLD PLATED
UNDER PLATE : NICKEL
 - NUT : SEE TABLE A
 - SHELL : SEE TABLE A
- ELECTRICAL SPECIFICATION :
 - Rated current : 4A
 - Rated voltage : 60V
 - Water proof : IPX7
- Environmental :
 - Operation Temperature : -40℃~85℃

DRAWN	Mark Kao	APP'D	Ku Chou	UNIT	mm	TOLERANCE		广东科斯达电子科技有限公司 GUANG DONG KE SI DA ELECTRONIC TECHNOLOGY CO., LTD.	TITLE	M9 (F) 前鎖M12*1.0焊線式			SHEET	1 VERSION A
CHK'D	Emily Suen			SCALE	1:1	.x ±0.25 .xx ±0.20 .xxx ±0.05 .xxxx ±0.03 ANGULA ±1°			PART NO.	SEE TABLE A	DWG NO.	QC3692		