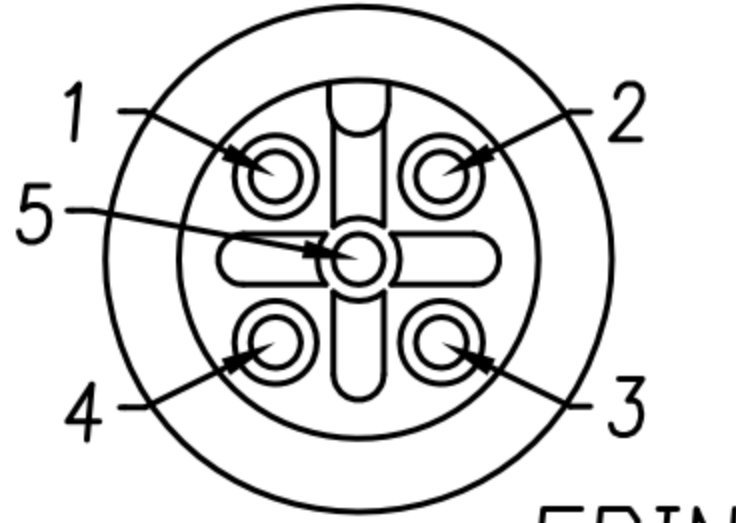
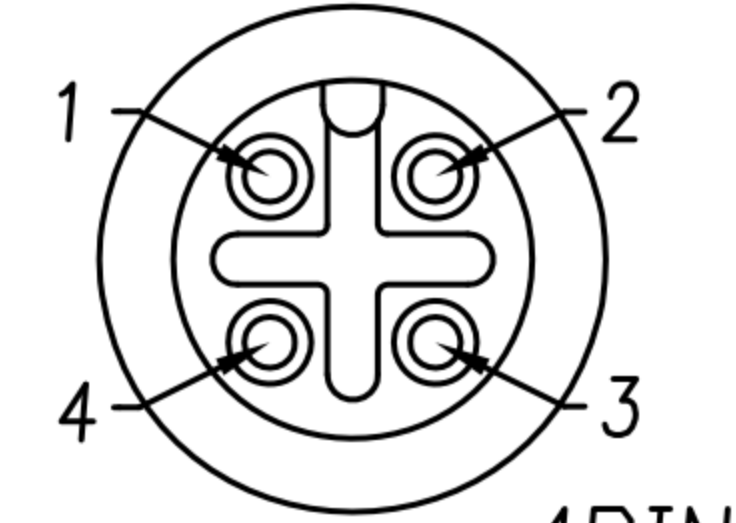
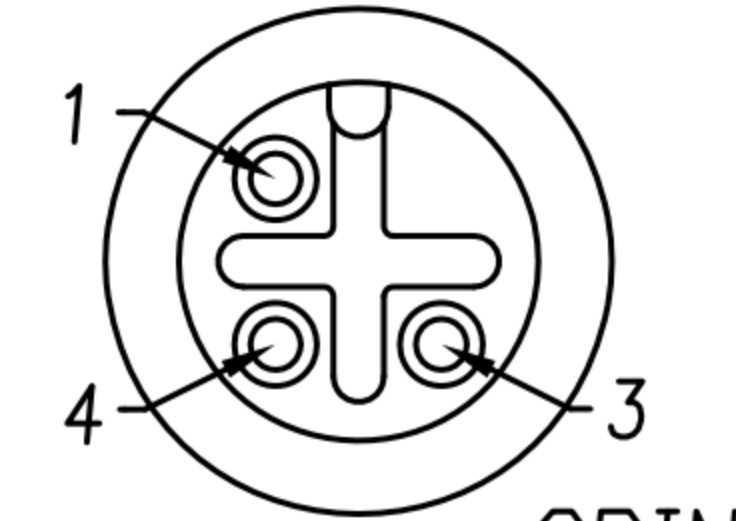
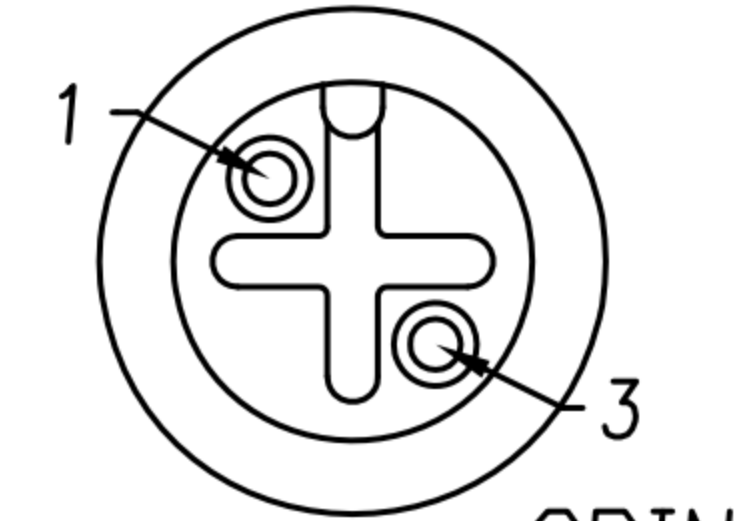
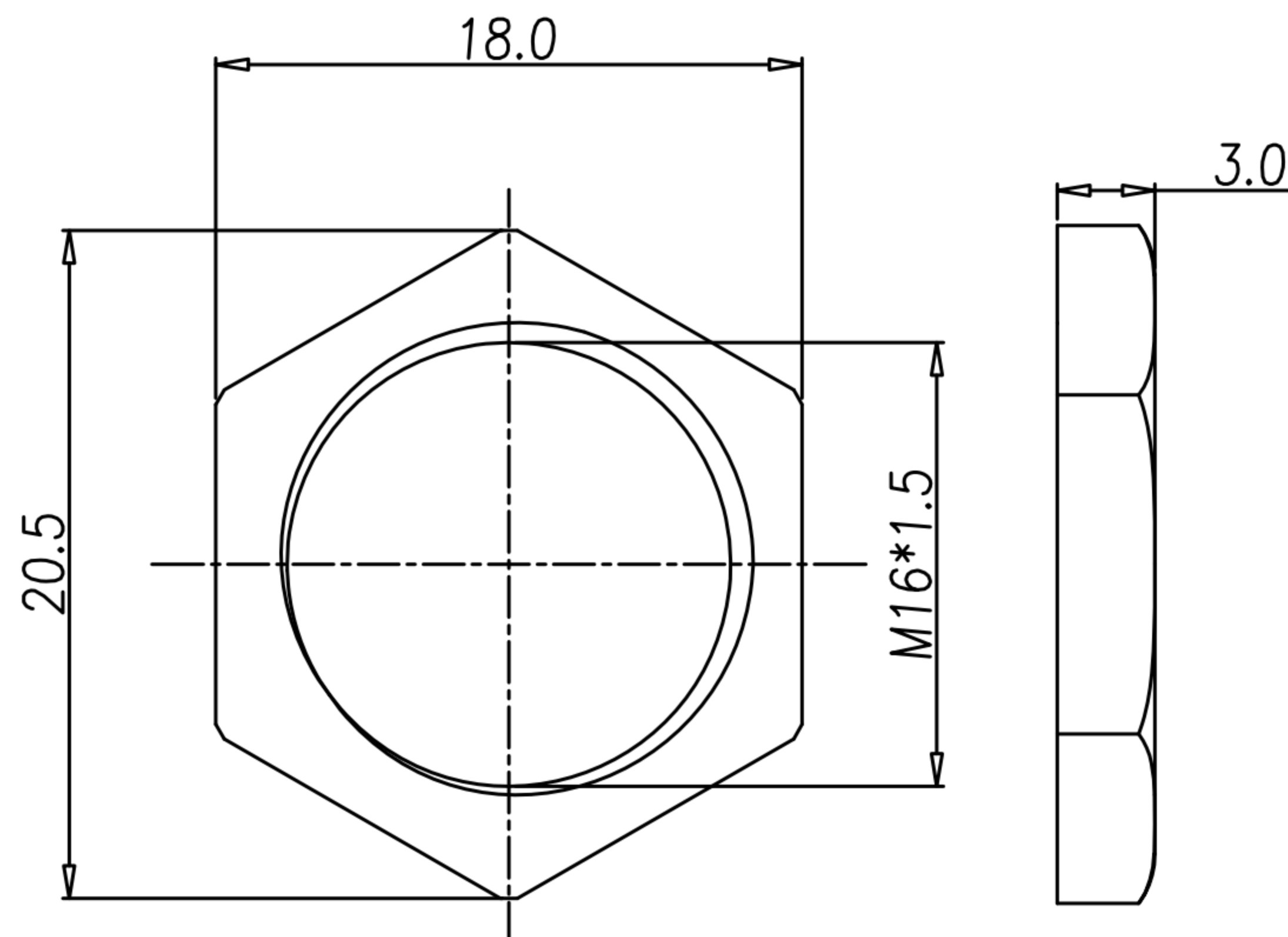
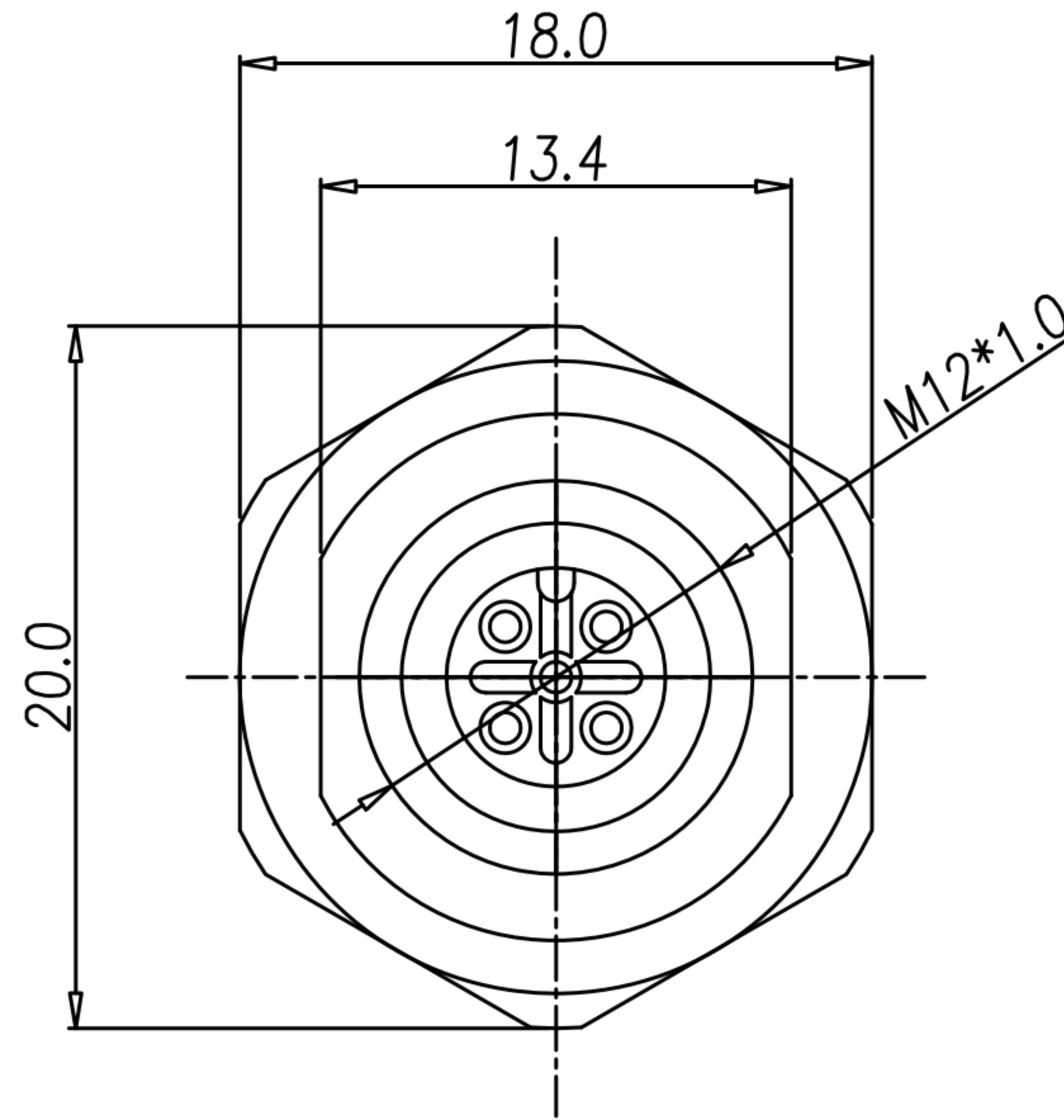
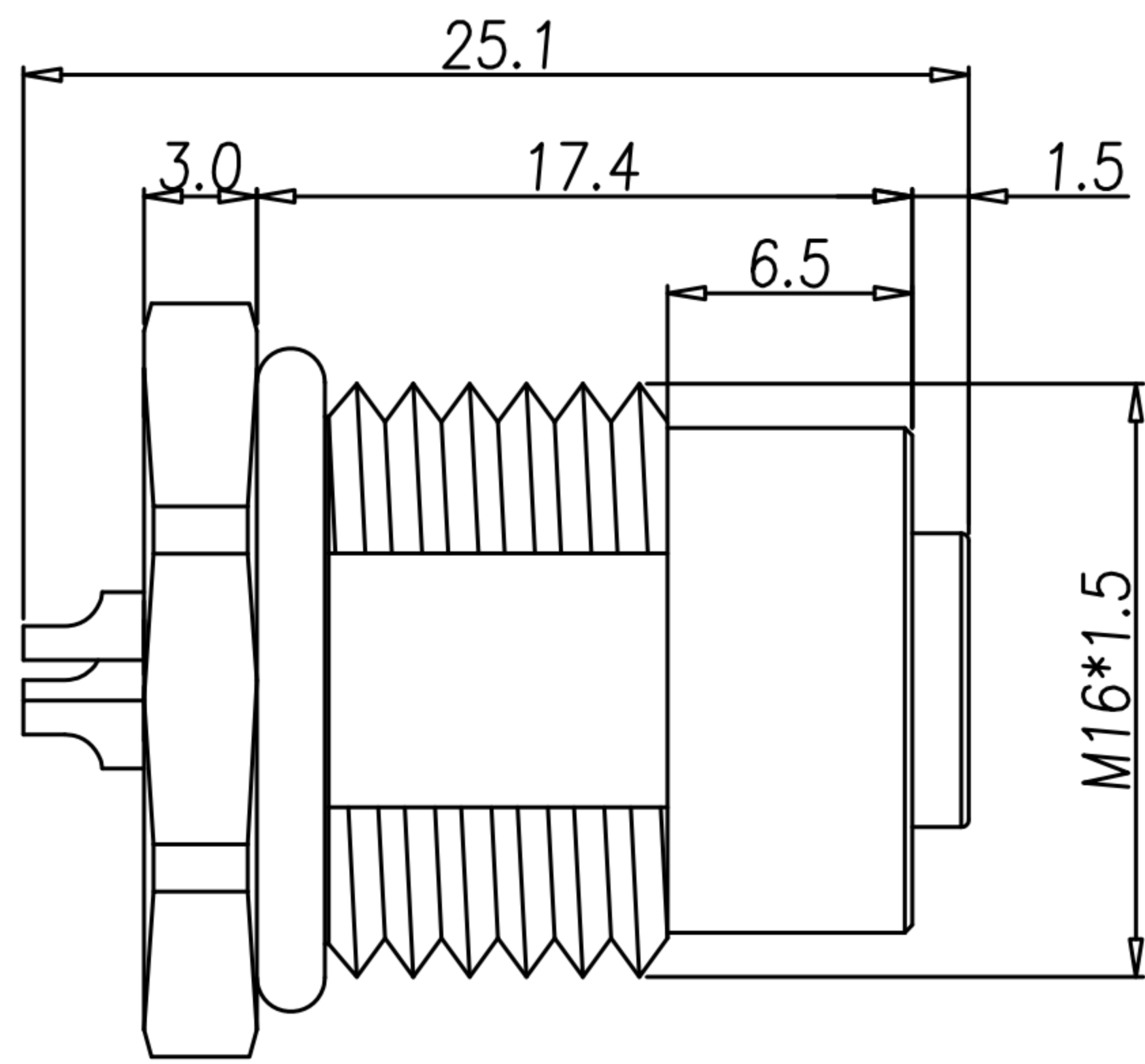


# CUSTOMER DRAWING

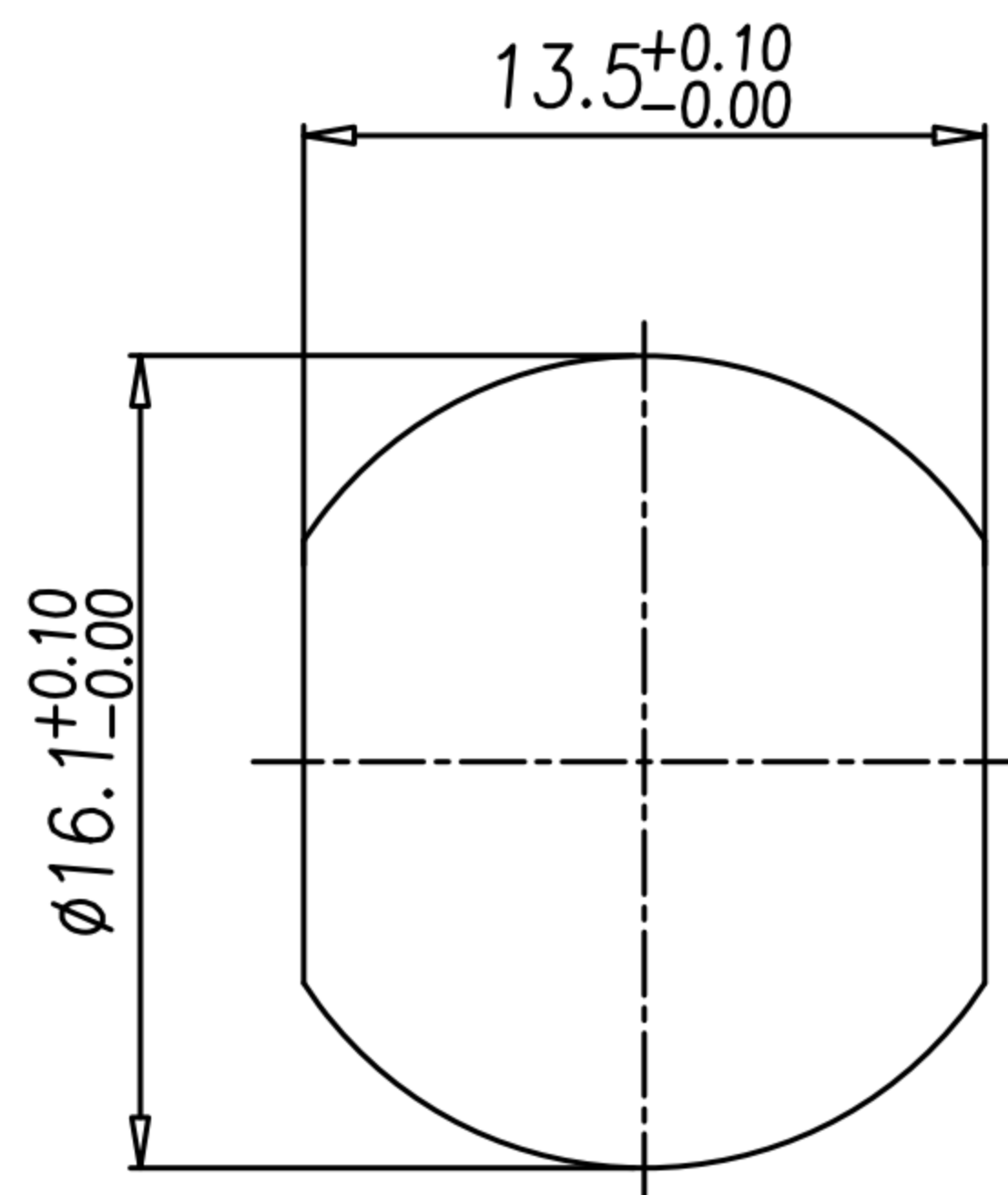
REV.	DESCRIPTION	APPROVED BY	DATE	ECN NO.
△A	RELEASE	Fido Weng	17/04/23"	
△B				
△C				

TABLE A

	
5PIN	4PIN
WP-05F2-230-11	WP-04F2-314-11
	
3PIN	2PIN
WP-03F2-186-11	WP-02F2-120-11



NUT



RECOMMEND PANEL CUT-OUT

- MATERIAL :
  - 1-1. HOUSING : PBT UL94V-0 ; COLOR : BLACK
  - 1-2. CONTACT : BRASS
  - 1-3. NUT : BRASS
  - 1-4. SHELL : BRASS
  - 1-5. O-RING : EPDM
- FINISH :
  - 2-1. CONTACT : GOLD FLASH PLATED  
UNDER PLATE : NICKEL
  - 2-2. NUT : NICKEL PLATED
  - 2-3. SHELL : NICKEL PLATED
- ELECTRICAL SPECIFICATION :
  - 3-1. Rated current : 4A
  - 3-2. Rated Voltage : 2~4PIN 250V ; 5PIN 60V
  - 3-3. Water proof : IP67
- Environmental :
  - 4-1. Operation Temperature : -40℃~85℃

DRAWN	Mark Kao	APPEND	Emily Suen	UNIT	mm	TOLERANCE			 广东科斯达电子科技有限公司 GUANG DONG KE SI DA ELECTRONIC TECHNOLOGY CO., LTD.	TITLE	防水頭 M12 (F) A-CODED 前鎖M16*1.5 焊線式			SHEET	1
CHKED	Emily Suen			SCALE	1:1	.x ±0.20 .xx ±0.10 .xxx ±0.05 .xxxx ±0.03 ANGULA ±1°				PART NO.	SEE TABLE A	DWG NO.	QC10652	VERSION	A