

# CUSTOMER DRAWING

REV.	DESCRIPTION	APPROVED BY	DATE	ECN NO.
△A	RELEASE	Fido Weng	18/01/24"	
△B				
△C				

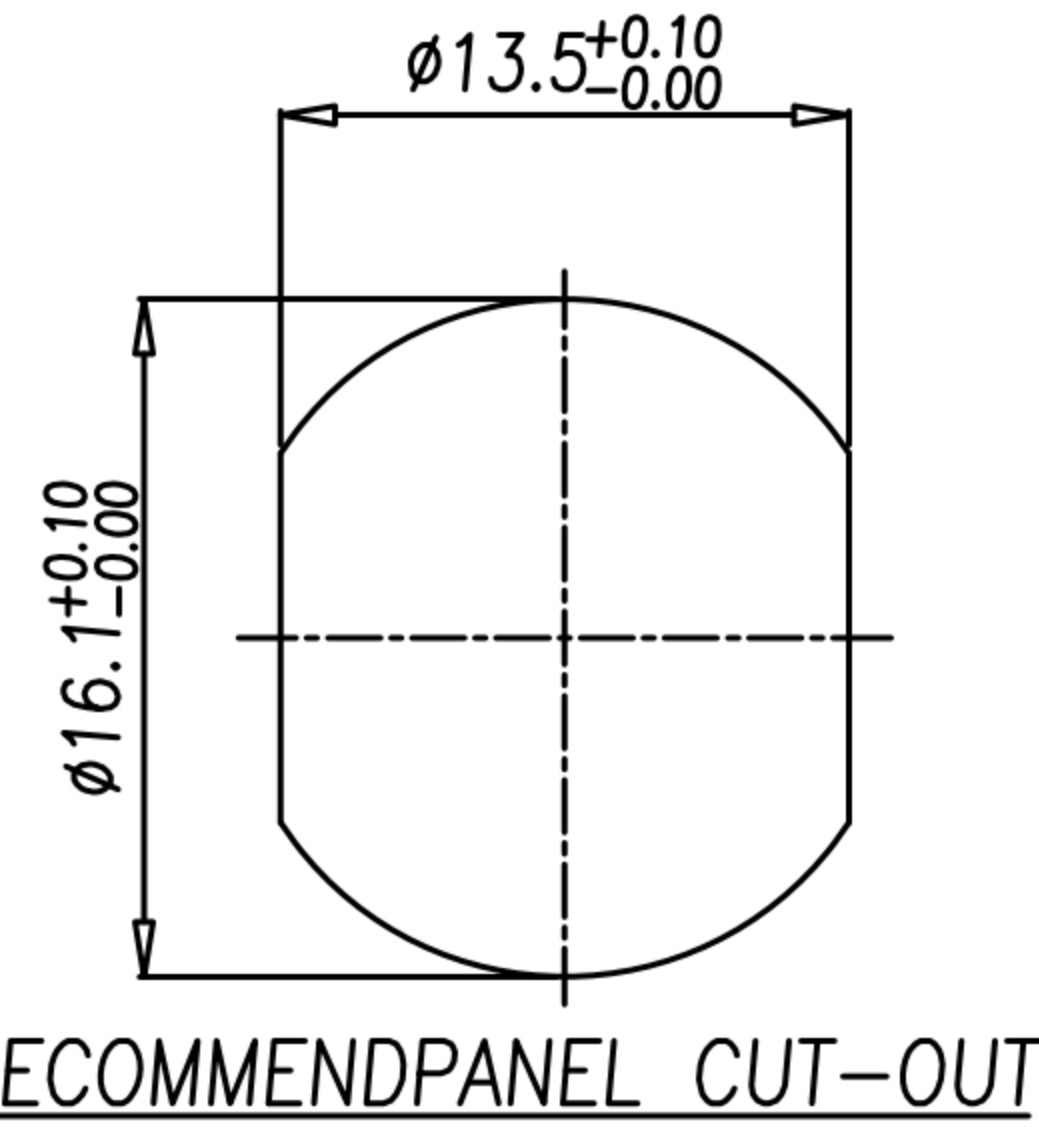
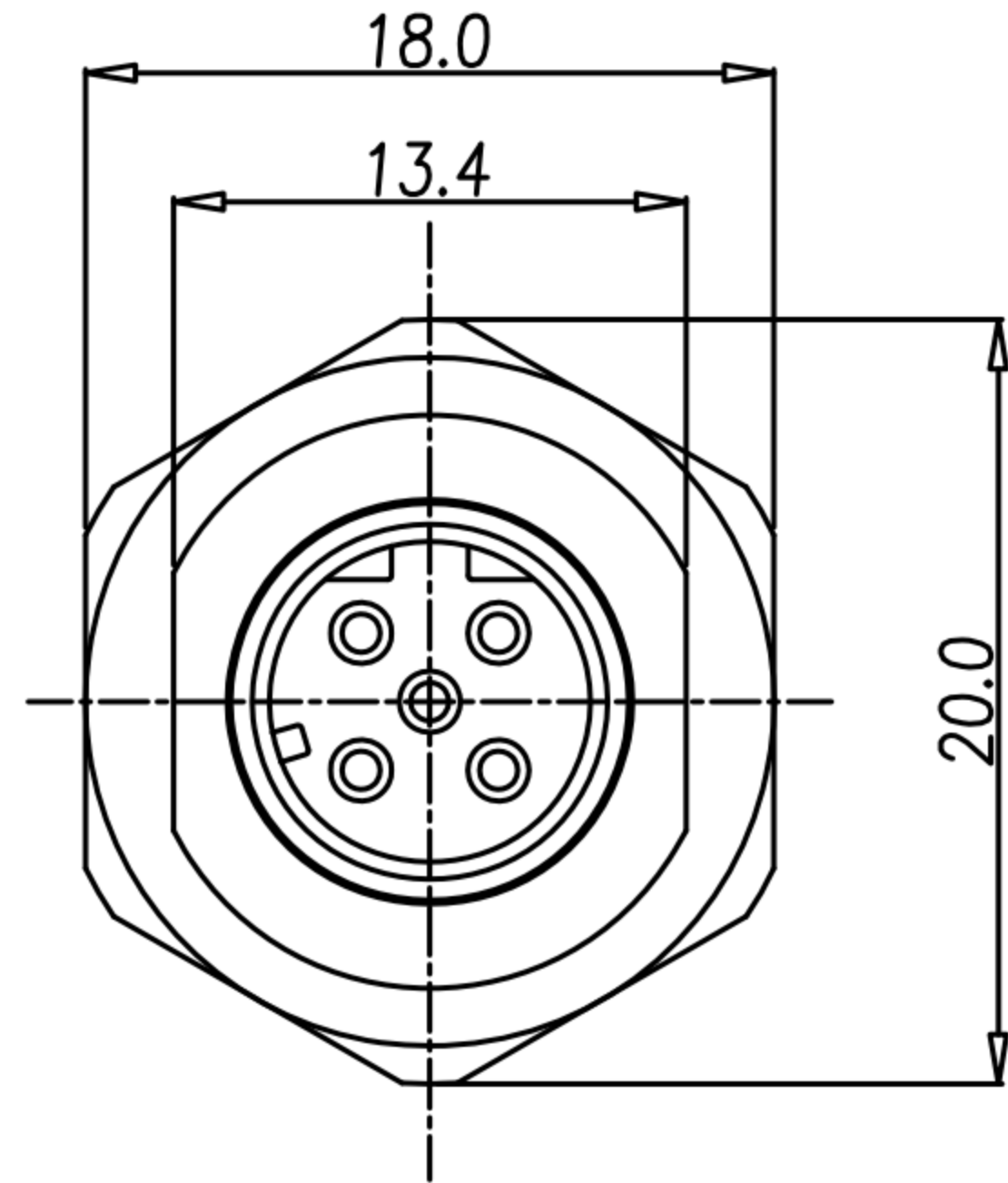
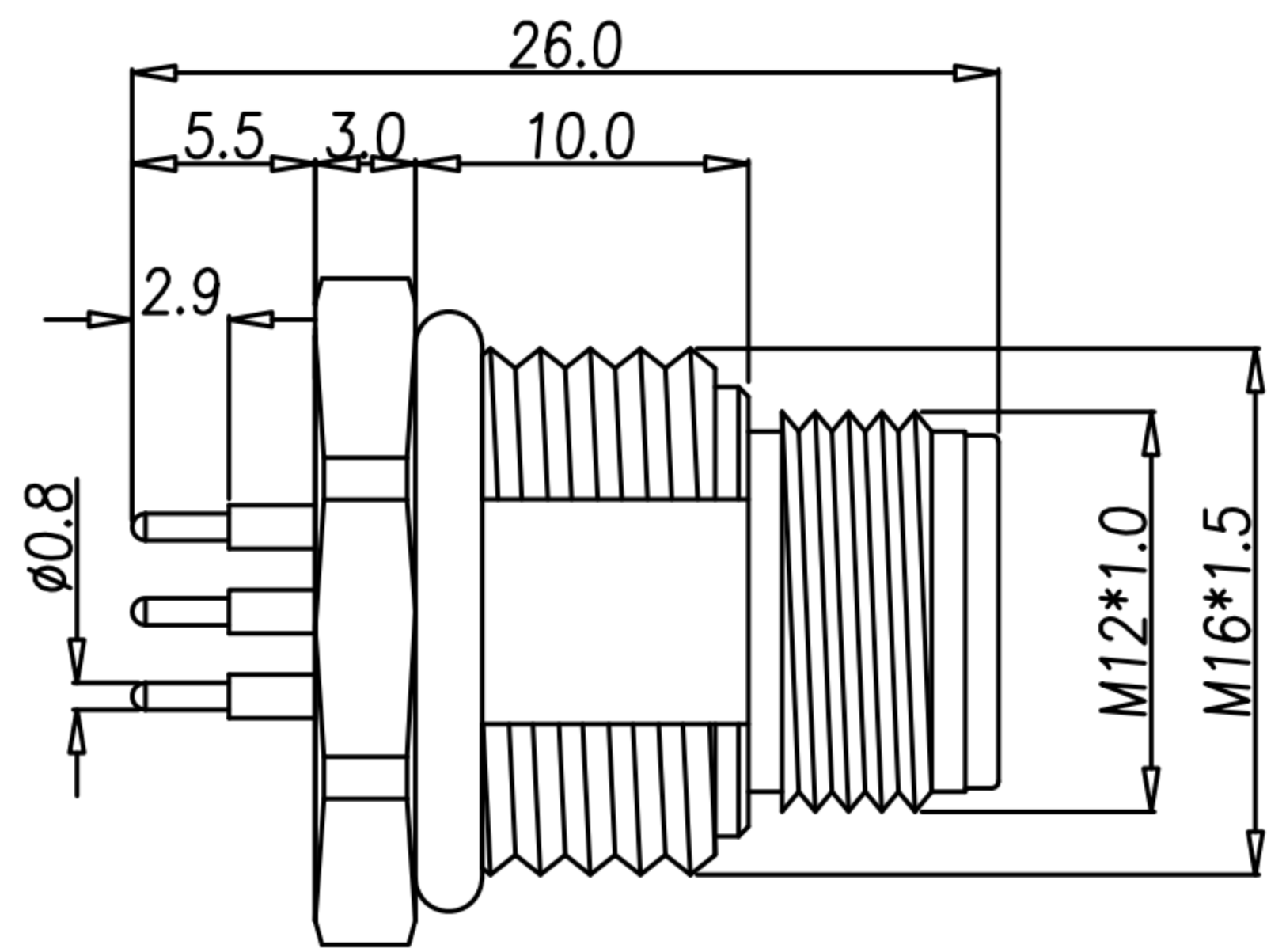
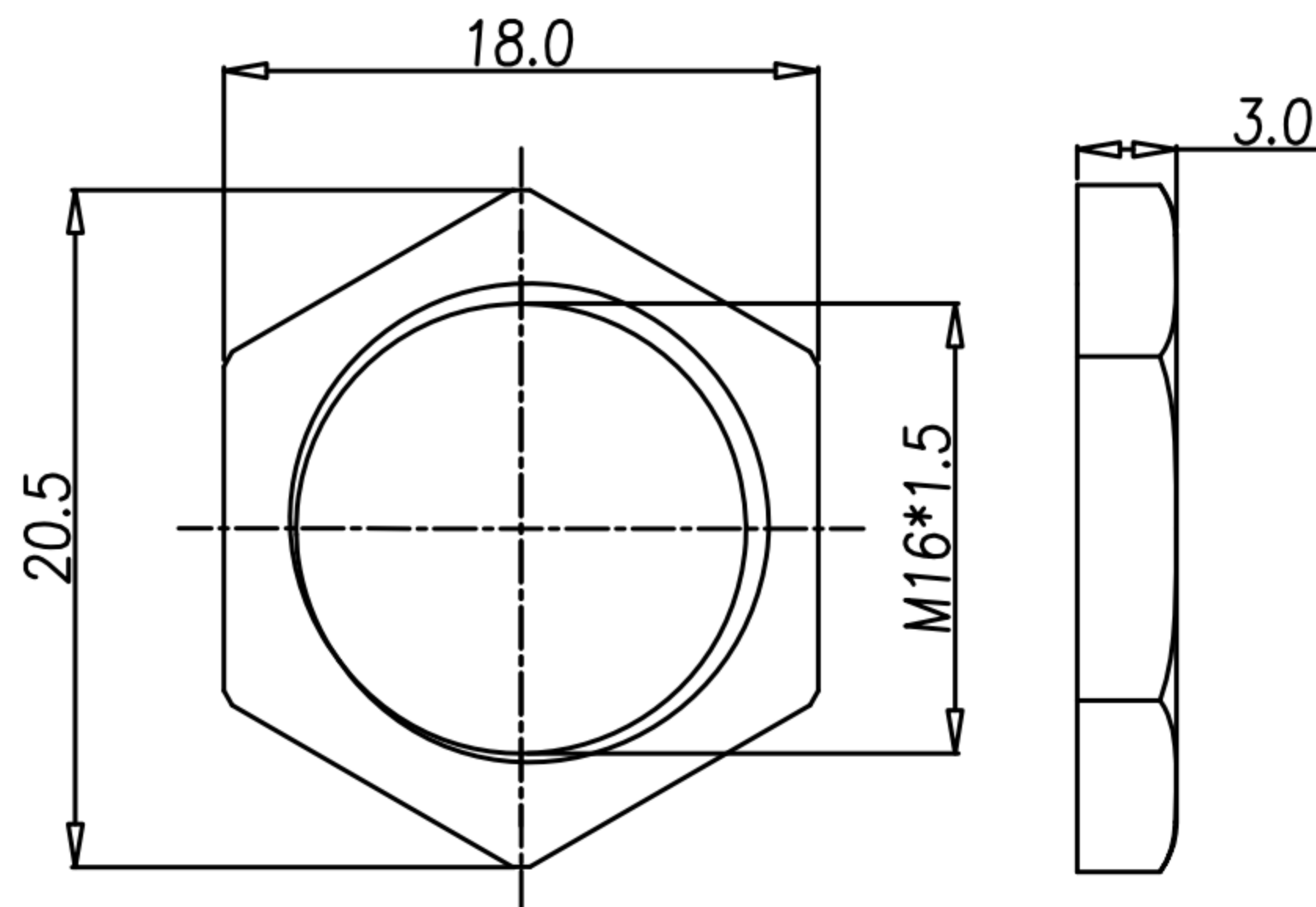
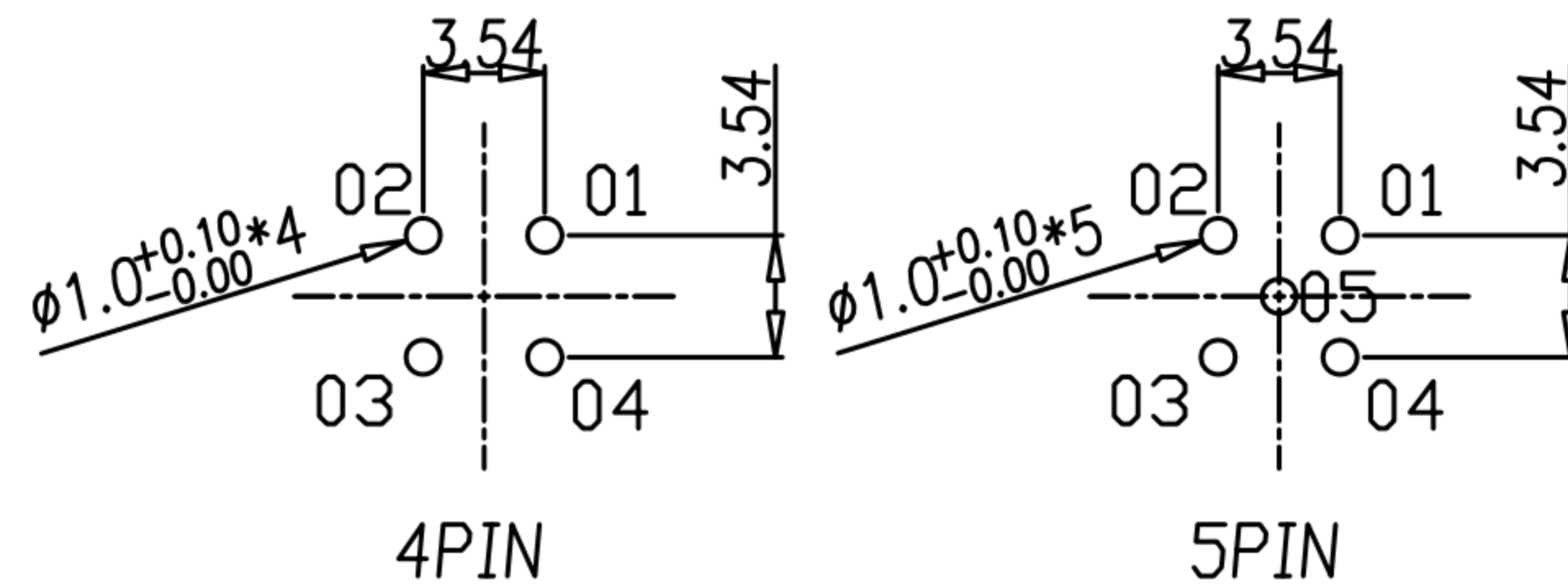


TABLE A

<p style="text-align: center;">5PIN</p>	<p style="text-align: center;">4PIN</p>
WP-05M3-31-11	WP-04M3-27-11



NUT



RECOMMEND P.C.B LAYOUT

1. MATERIAL :
  - 1-1. HOUSING : PBT UL94V-0 ; COLOR : BLACK
  - 1-2. CONTACT : BRASS
  - 1-3. NUT : BRASS
  - 1-4. SHELL : BRASS
  - 1-5. O-RING : EPDM
2. FINISH :
  - 2-1. CONTACT : GOLD FLASH PLATED
  - 2-2. NUT : NICKEL PLATED
  - 2-3. SHELL : NICKEL PLATED
3. ELECTRICAL SPECIFICATION :
  - 3-1. Rated current : 4A
  - 3-2. Rated voltage : 4PIN 250V ; 5PIN 60V
  - 3-3. Water proof: IP67
4. Environmental :
  - 4-1. Operation Temperature : -40℃~85℃

DRAWN	Mark Kao	APPEND	Fido Weng	UNIT	mm	TOLERANCE .x ±0.20 .xx ±0.10 .xxx ±0.05 .xxxx ±0.03 ANGULA ±1°		广东科斯达电子科技有限公司 GUANG DONG KE SI DA ELECTRONIC TECHNOLOGY CO., LTD.	TITLE	防水頭 M12 D-CODED (M) 前鎖M16*1.5插件式			SHEET	1/1
CHKED	Emily Suen			SCALE	1:1				PART NO.	SEE TABLE A	DWG NO.	QC11078	VERSION	A