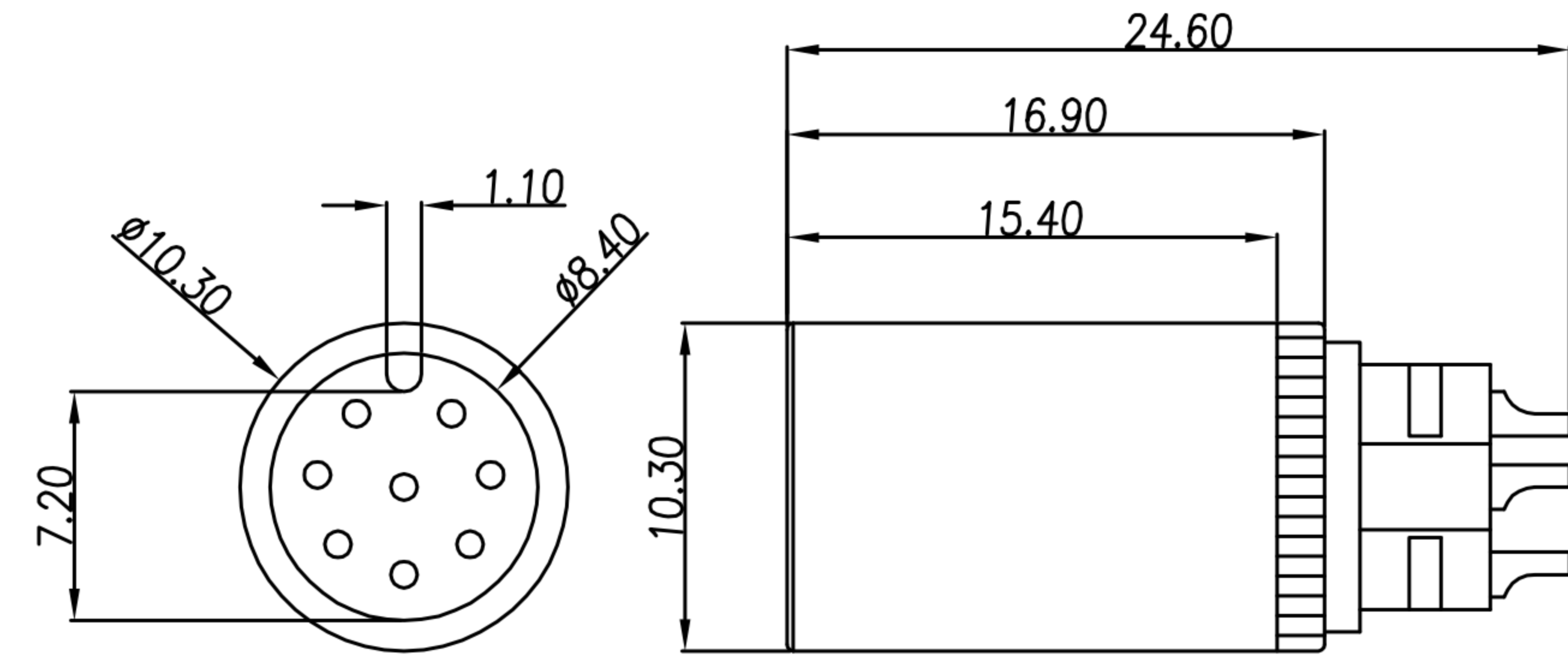
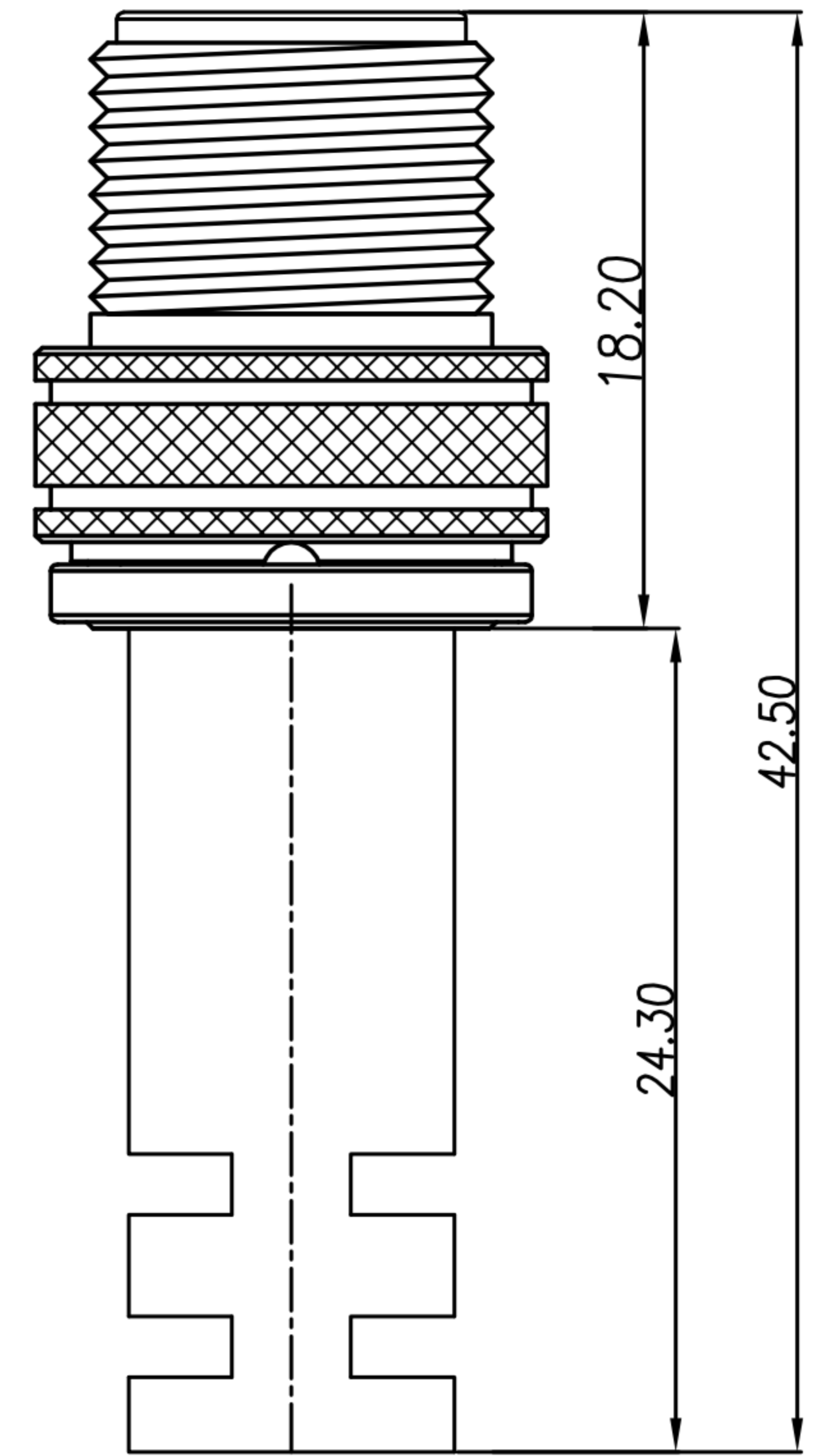
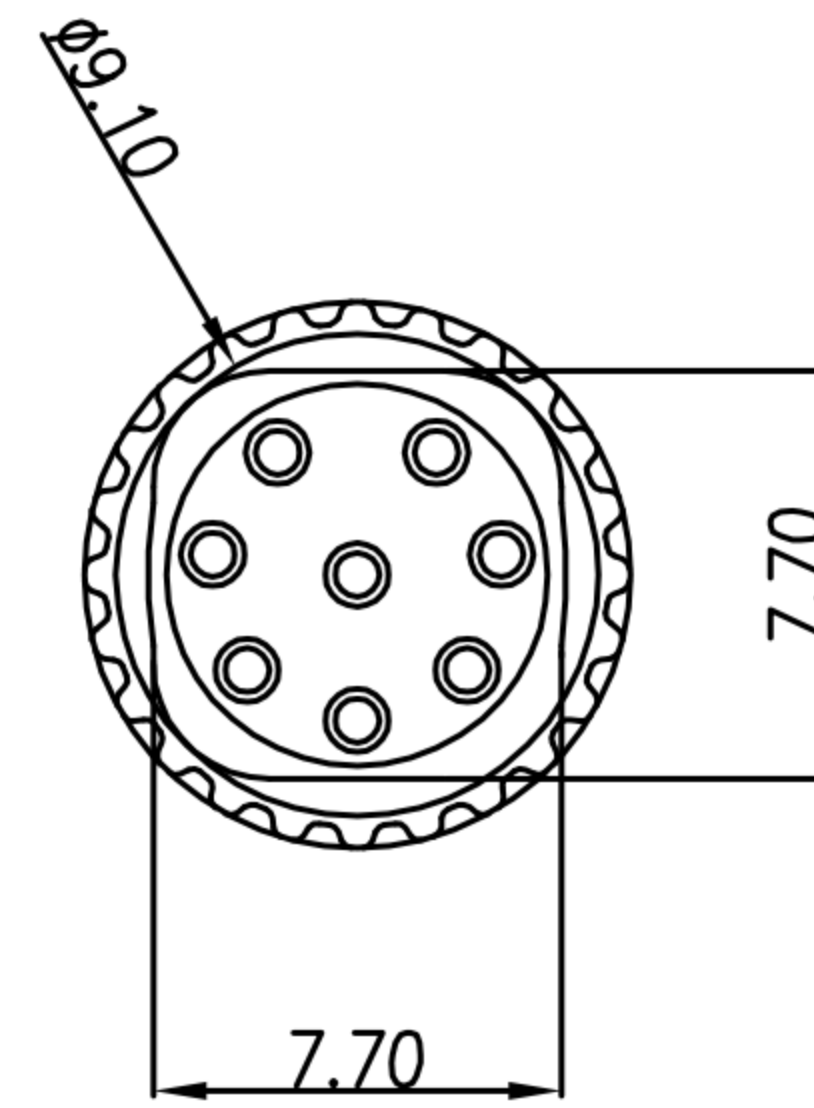


CUSTOMER DRAWING

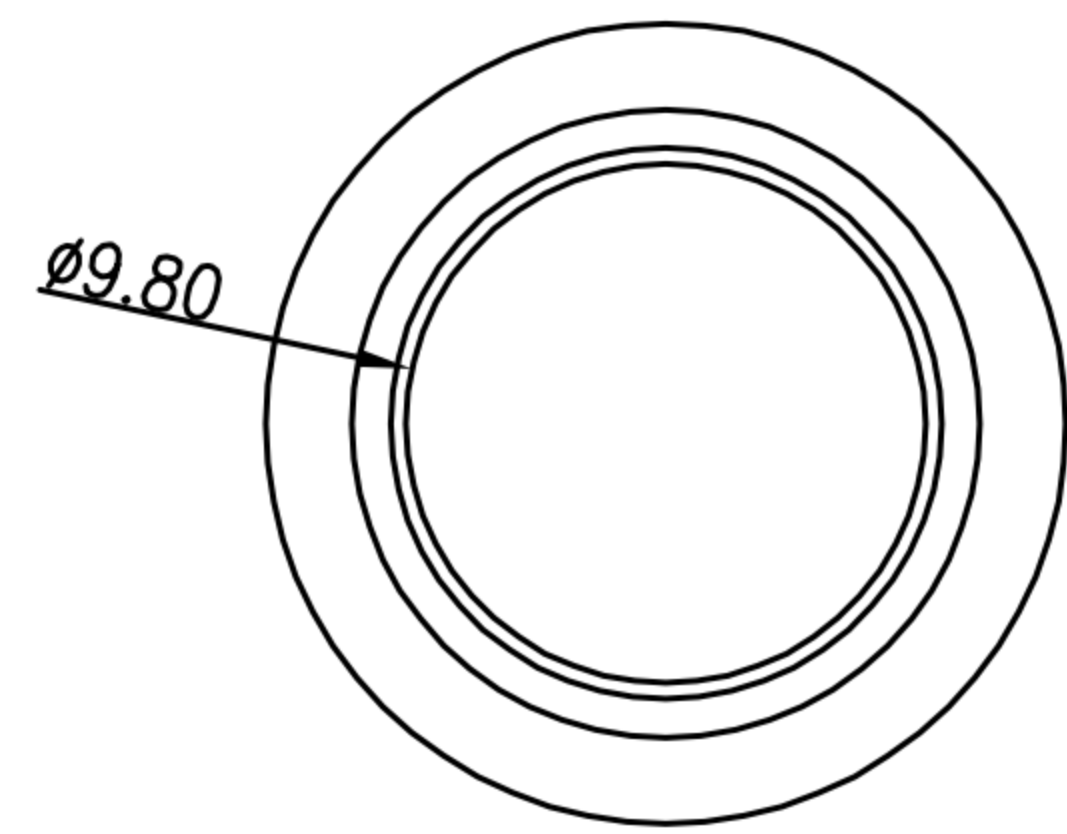
REV.	DESCRIPTION	APPVL. BY	DATE	ECN NO.
△A	RELEASE	Fido Weng	18/02/14*	
△B				
△C				



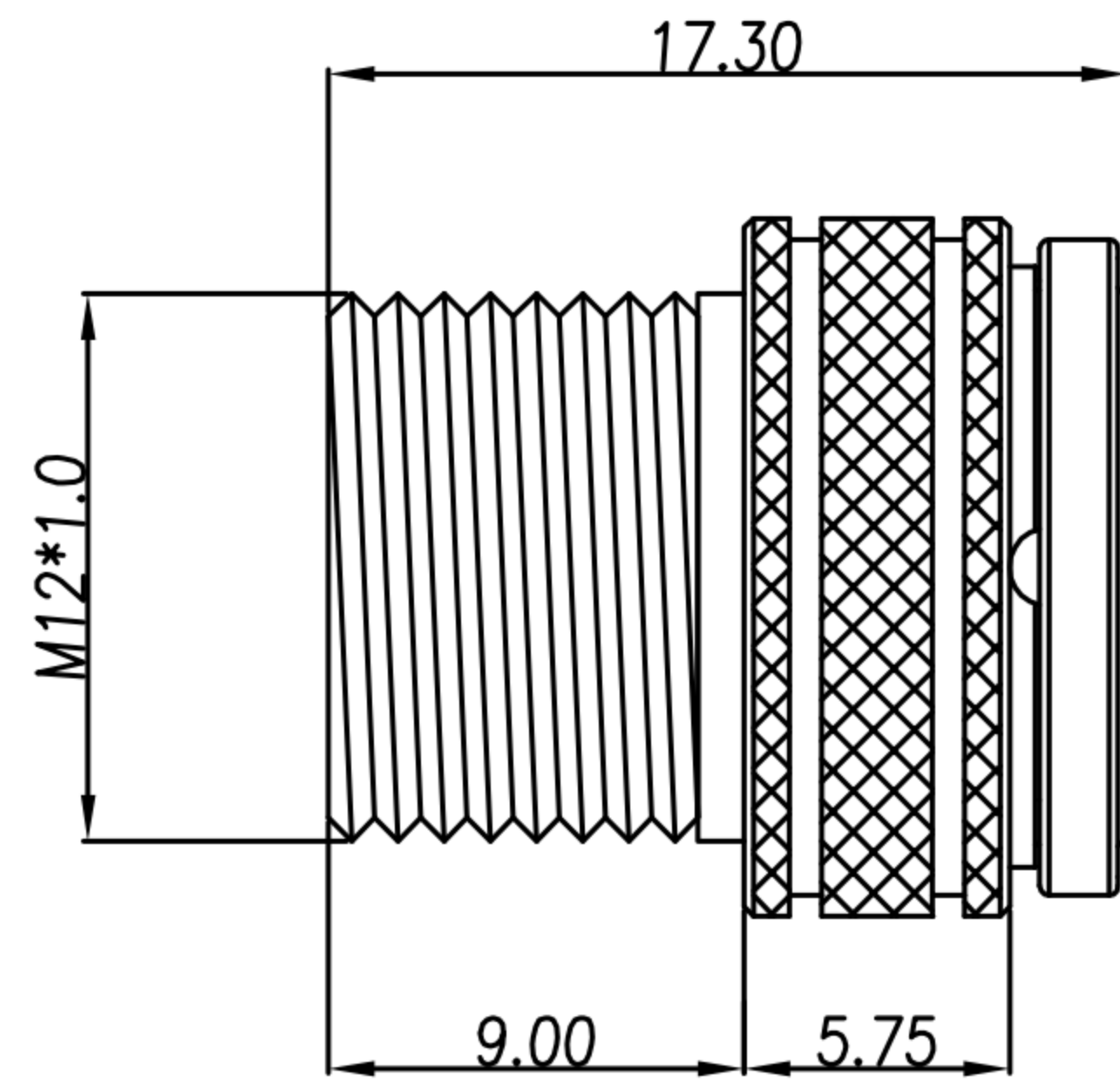
HPUSING & PIN



Assemble



NUT & anti-vibration detent

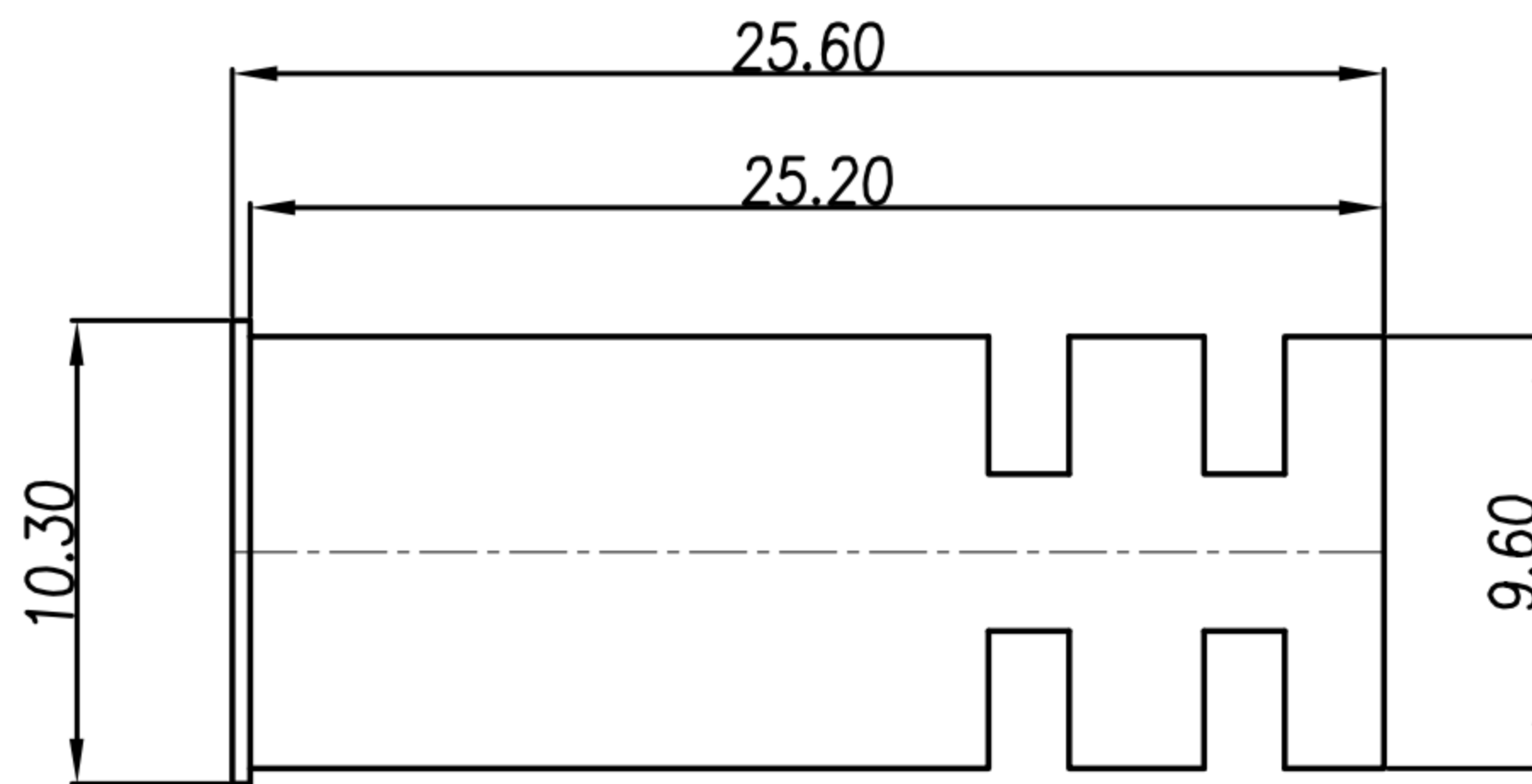


- MATERIAL :
 - 1-1. HOUSING : PA66 ; COLOR : BLACK
 - 1-2. CONTACT : BRASS
 - 1-3. NUT : BRASS
 - 1-4. SHELL : BRASS

- FINISH :
 - 2-1. CONTACT : GOLD PLATED
UNDER PLATE : NICKEL
 - 2-2. NUT : NICKEL PLATED.
 - 2-3. SHELL : NICKEL PLATED.

- ELECTRICAL SPECIFICATION :
 - 3-1. Rated current : 2A
 - 3-2. Rated Voltage : 30V
 - 3-3. Water proof : IP67

- Environmental :
 - 4-1. Operation Temperature : -20℃~85℃



SHELL

DRAW	Ku Chou	APPVL	Emily Suen	UNIT	mm	TOLERANCE .x ±0.20 .xx ±0.10 .xxx ±0.05 .xxxx ±0.03 ANGULA ±1°		广东科斯达电子科技有限公司 GUANG DONG KE SI DA ELECTRONIC TECHNOLOGY CO., LTD.	TITLE	防水頭 M12 8PIN(M)A-CODE 止滑接地焊線式			SHEET	1
CHECK	Emily Suen			SCALE	1:1				PART NO.	WP-08M2-41-11	DWG NO.	QC6582	VERSION	A