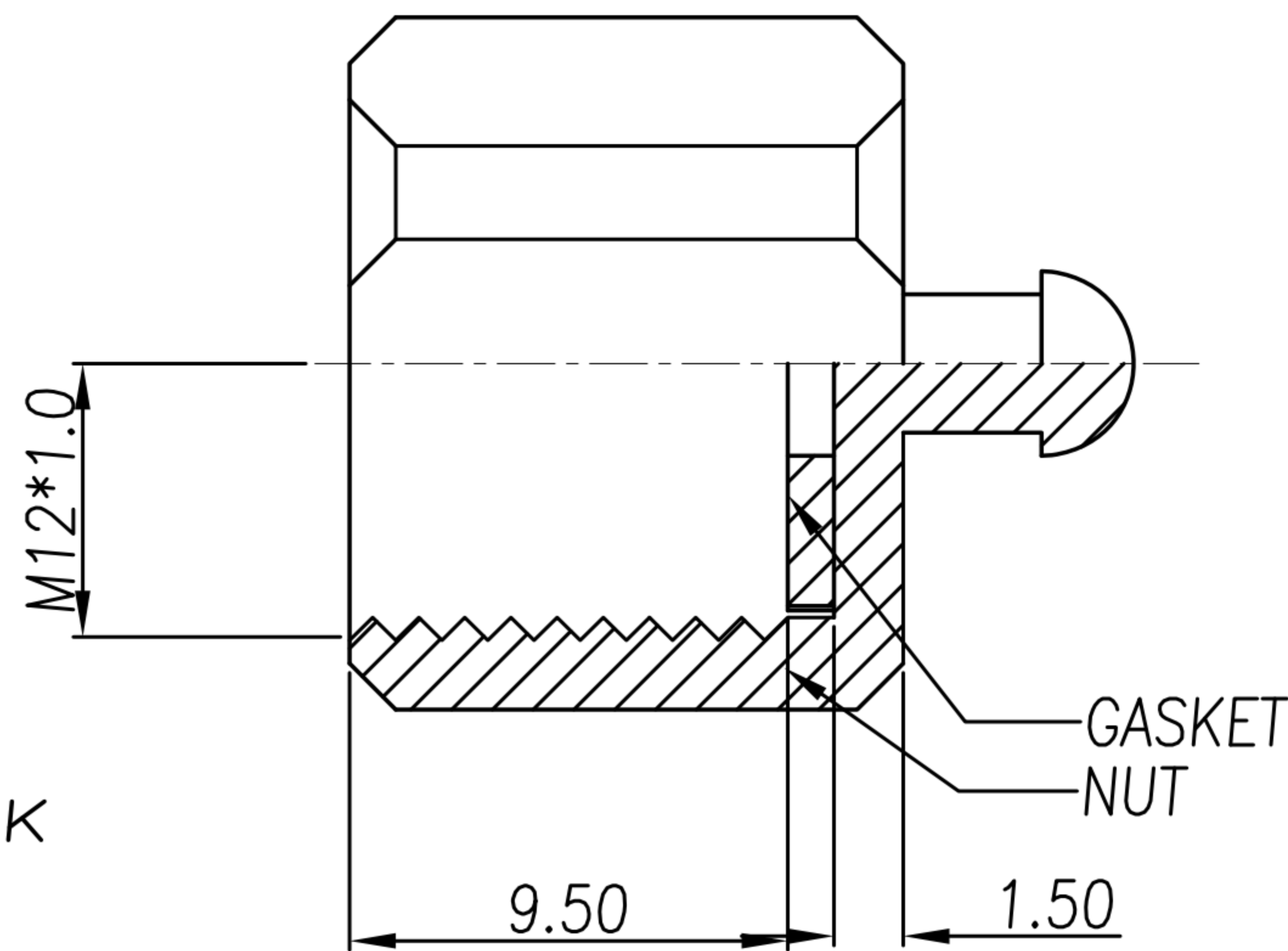
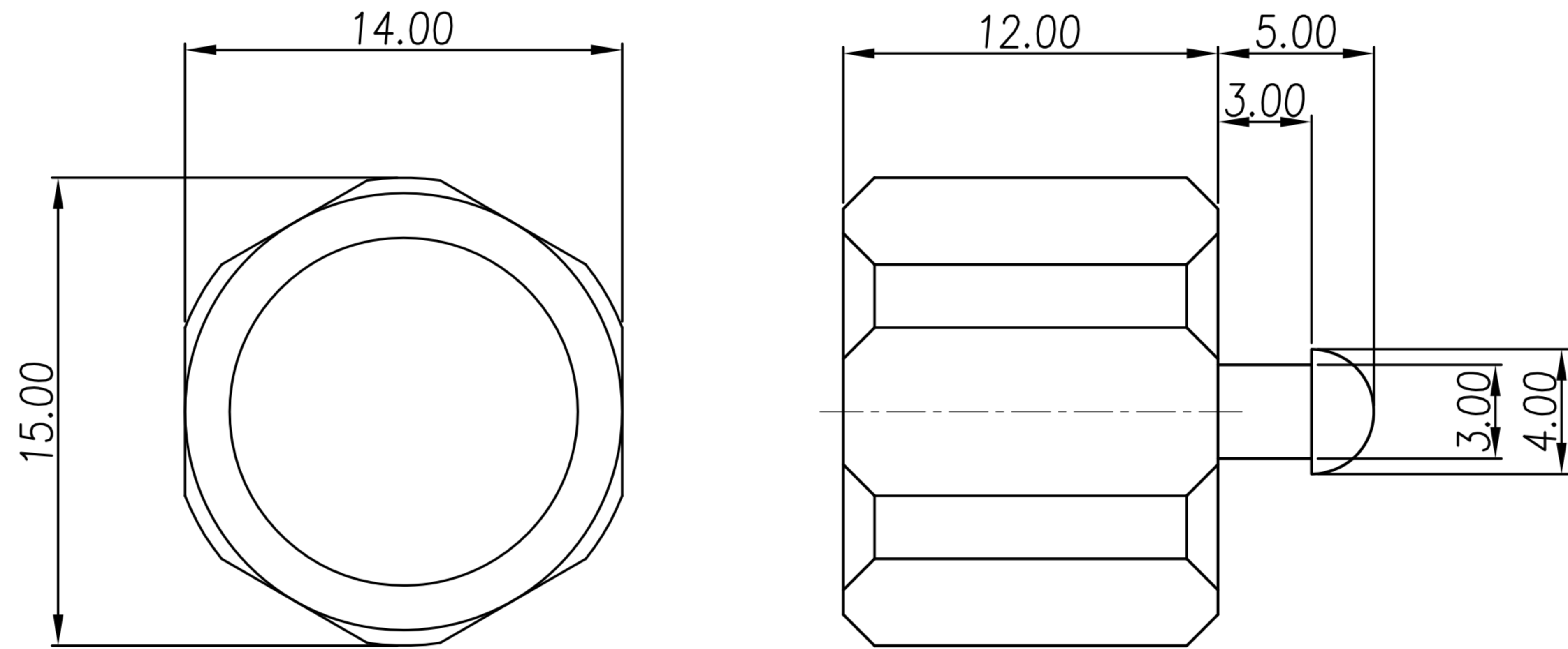


CUSTOMER DRAWING

REV.	DESCRIPTION	APPROVED BY	DATE	ECN NO.
A	RELEASE	Fido Weng	15/10/13'	
B				
C				



1. MATERIAL :
 - 1-1. NUT : ALUMINUM
 - 1-2. GASKET : SILICONE ; COLOR : BLACK
2. FINISH :
 - 2-1. NUT : NICKEL PLATED OVER ALL

DRAWN	Jen Xie	APP'D	Fido Weng	UNIT	mm	TOLERANCE		广东科斯达电子科技有限公司 GUANG DONG KE SI DA ELECTRONIC TECHNOLOGY CO., LTD.	TITLE	M12 六角铝合金防塵蓋+墊片			SHEET	1
CHK'D	Emily Suen			SCALE	1:1	.x ±0.10 .xx ±0.05 .xxx ±0.03 .xxxx ±0.01 ANGULA ±1°			PART NO.	NY-WP582-01	DWG NO.	QC6373	VERSION	A