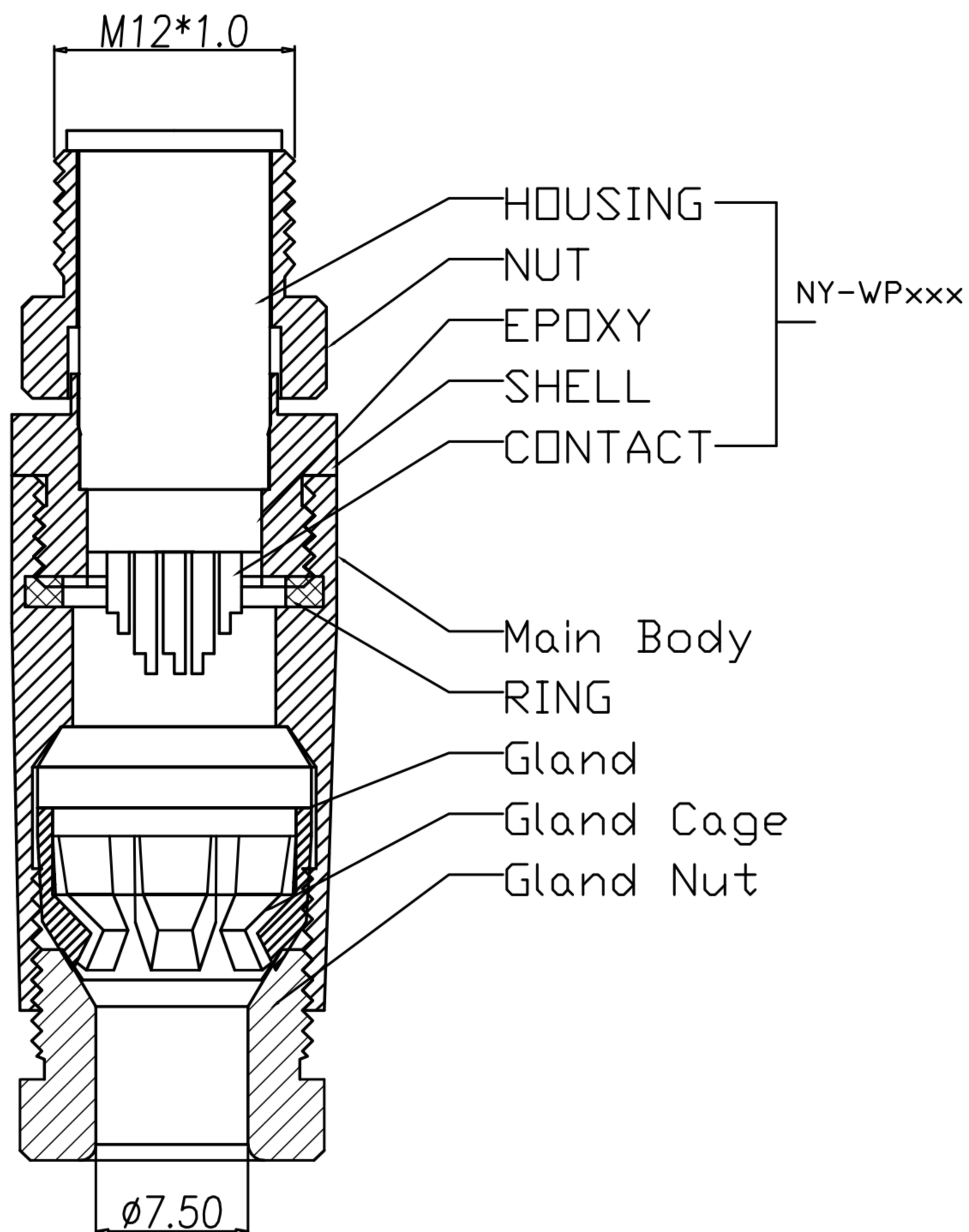
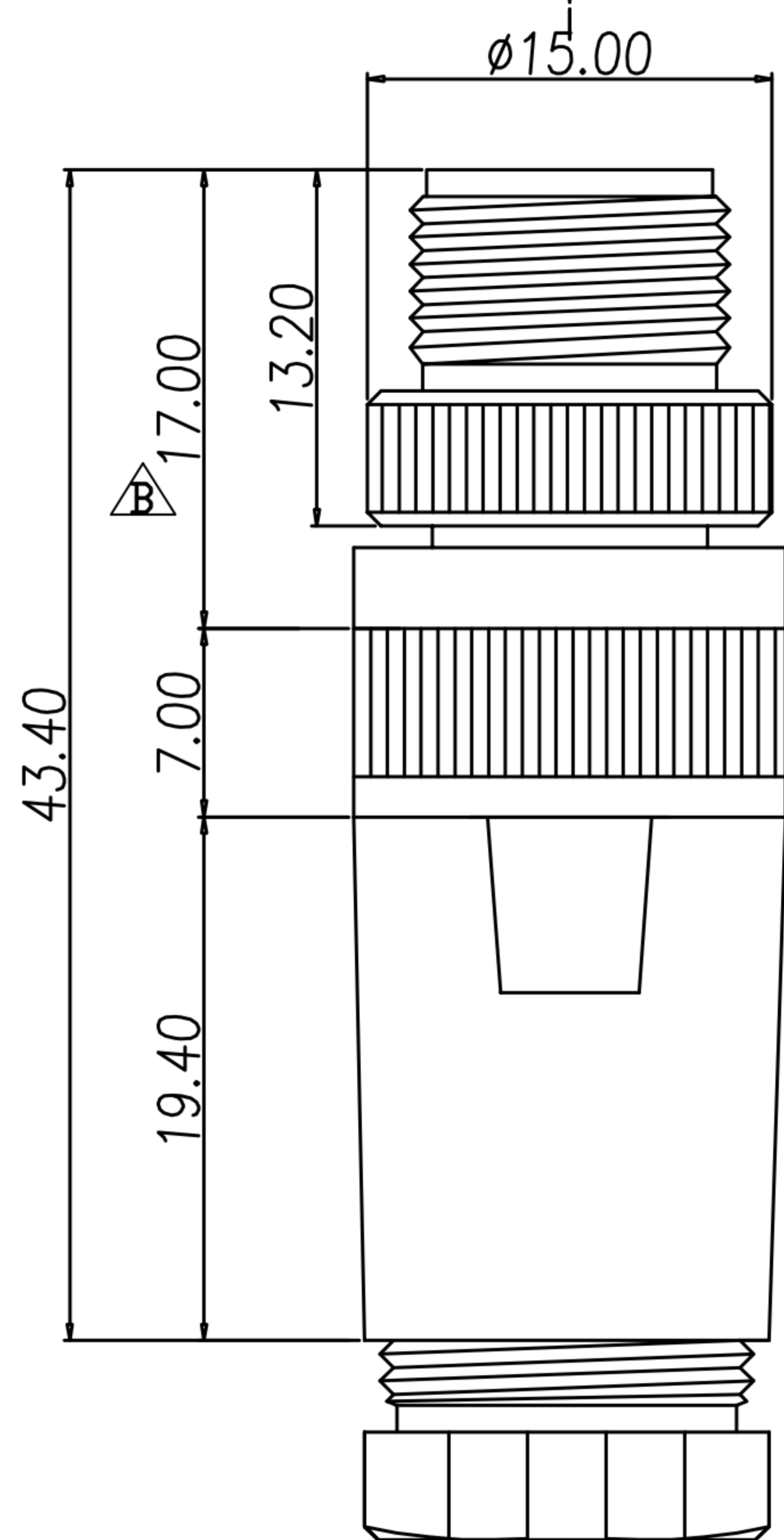
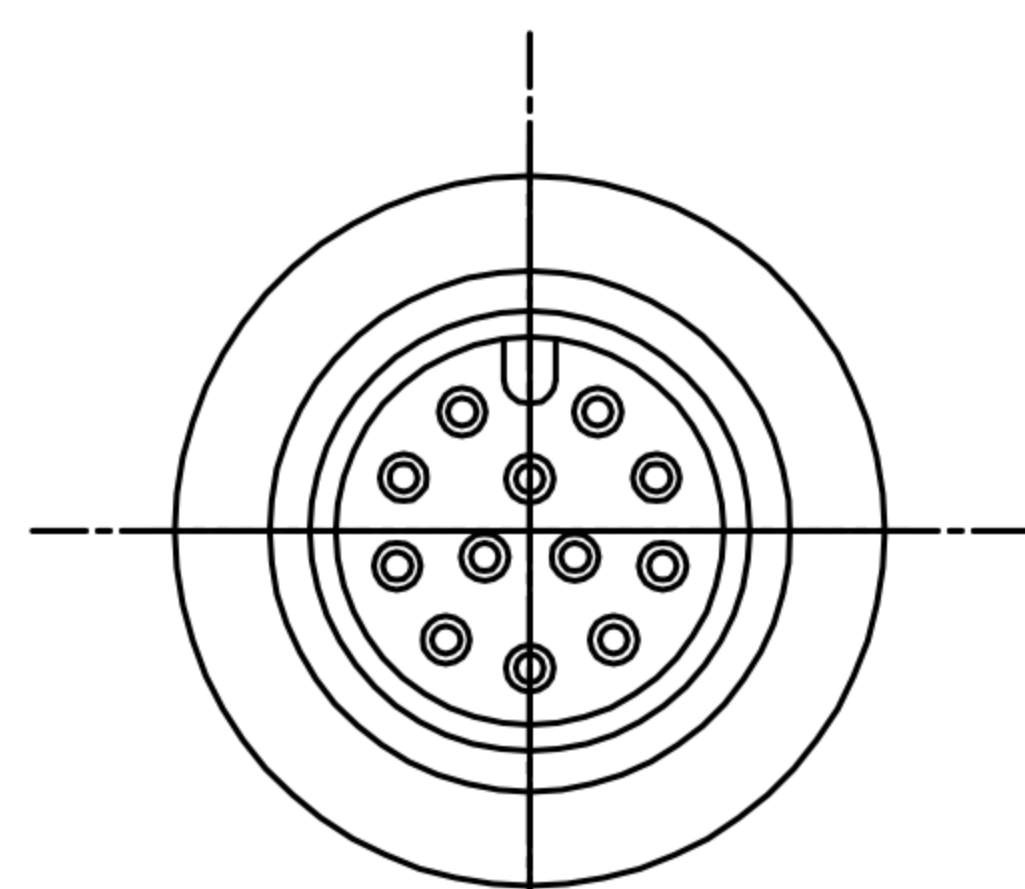


CUSTOMER DRAWING

REV.	DESCRIPTION	APPROVED BY	DATE	ECN NO.
A	RELEASE	Fido Weng	31/08/15'	
B	CHANGE DIM.	Ku Chou	26/02/19'	
C				



1. MATERIAL :
  - 1-1. NY-WPxxx :
    - a. HOUSING : PBT UL94V-0 ; COLOR : BLACK.
    - b. CONTACT : BRASS
    - c. NUT : ALUMINUM ALLOY
    - d. SHELL : ALUMINUM ALLOY
  - 1-2. Main Body : ALUMINUM ALLOY
  - 1-3. Gland : SILICONE COLOR : BLACK.
  - 1-4. Gland Cage : POM ; COLOR : BLACK.
  - 1-5. Gland Nut : ALUMINUM ALLOY.
2. FINISH :
  - 2-1. NY-WPXXX :
    - 2-1. CONTACT : 10 MICRO INCHES MIN. GOLD PLATED  
UNDER PLATE : NICKEL.
    - b. NUT : SATIN NICKEL PLATED.
    - c. SHELL : SATIN NICKEL PLATED.
  - 2-2. Main Body : SATIN NICKEL PLATED.
  - 2-3. Gland Nut : SATIN NICKEL PLATED.
3. ELECTRICAL SPECIFICATION :
  - 3-1. Rated current : 1.5A
  - 3-2. Rated Voltage : 30V
  - 3-3. Water proof : IP67
4. Environmental :
  - 4-1. Operation Temperature : -20°C~85°C

DRAWN	Mark Kao	APP'D	Ku Chou	UNIT	mm	TOLERANCE			TITLE	M12 12PIN (M) A-coded Assembly type			SHEET	
CHK'D	Emily Suen			SCALE	1:1				PART NO.	WP-12M2-16-11	DWG NO.	QC8195	VERSION	