

CUSTOMER DRAWING

REV.	DESCRIPTION	APPROVED BY	DATE	ECN NO.
A	RELEASE	Fido Weng	07/04/09'	
B				
C				

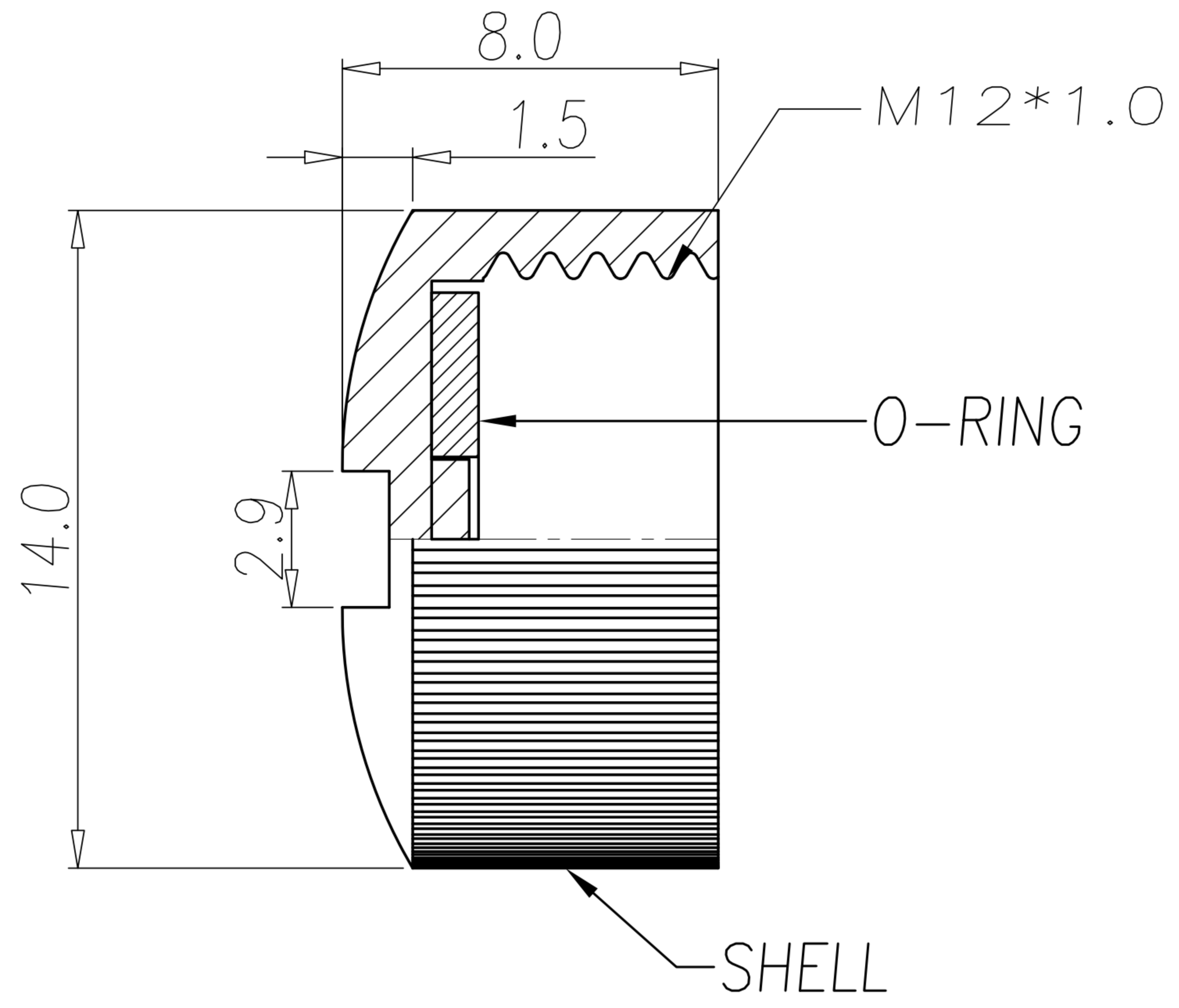
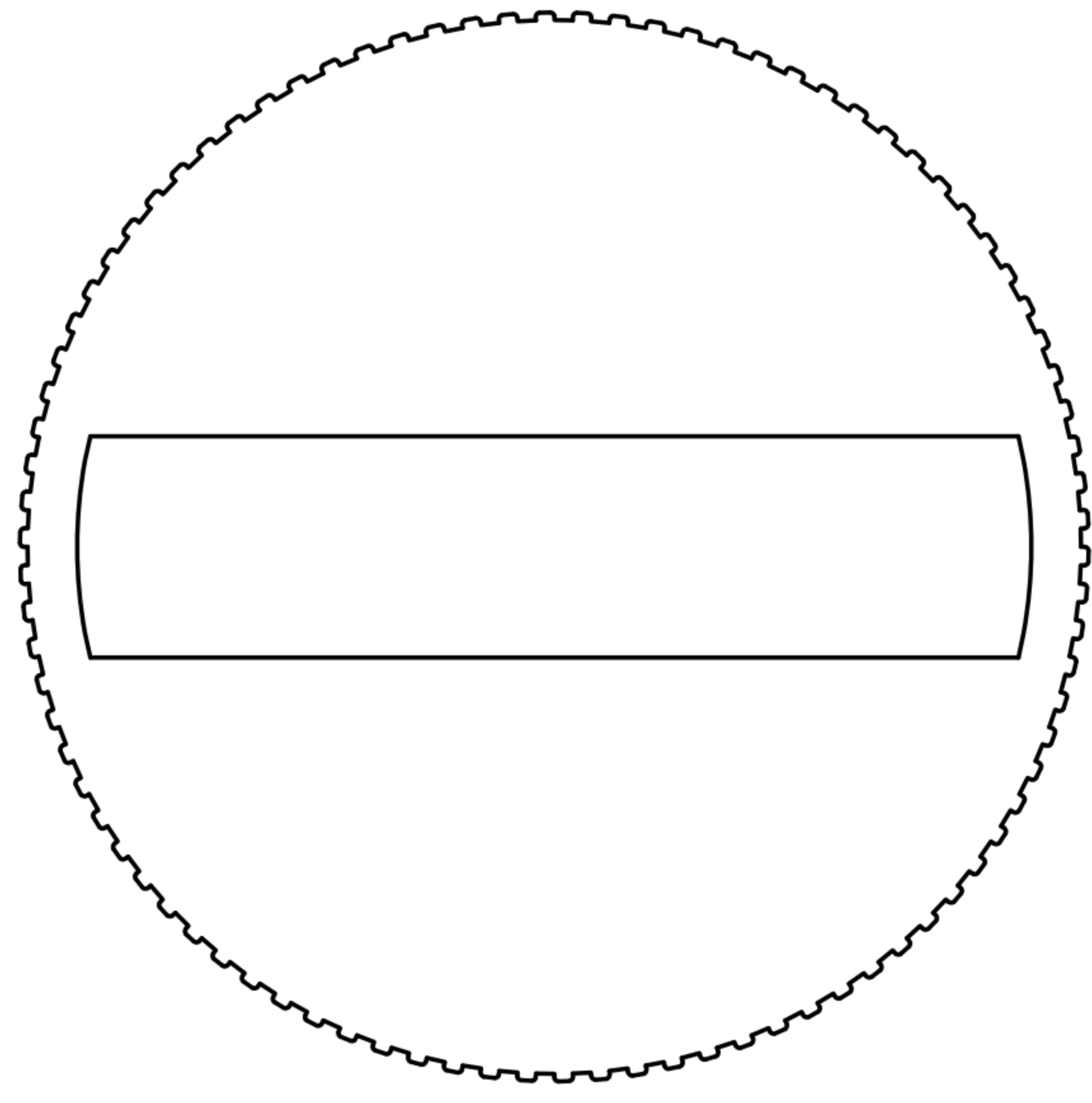


TABLE A/表A

NY-WP998-01	PBT UL94V-0		NBR
NY-WP199	PBT UL94V-0		SILICONE
NY-WP184	BRASS	NICKEL	SILICONE
PART NO.	MATERIAL	FINISH	O-RING MATERIAL

- MATERIAL :
 - 1-1. SHELL : SEE TABLE A ; COLOR BLACK.
 - 1-2. O-RING : SEE TABLE A ; COLOR : BLACK
- FINISH :
 - 2-1. SHELL : SEE TABLE A
- Water proof : IP67
- Operation Temperature : -20℃~85℃

DRAWN	Ku Chou	APP'D	Emily Suen	UNIT	mm	TOLERANCE		广东科斯达电子科技有限公司 GUANG DONG KE SI DA ELECTRONIC TECHNOLOGY CO., LTD.	TITLE	M12防尘盖(一字)			SHEET	1
CHK'D	Emily Suen			SCALE	1:1	.x ±0.20 .xx ±0.10 .xxx ±0.05 .xxxx ±0.03 ANGULA ±1°			PART NO.	SEE TABLE	DWG NO.	QC4119	VERSION	A