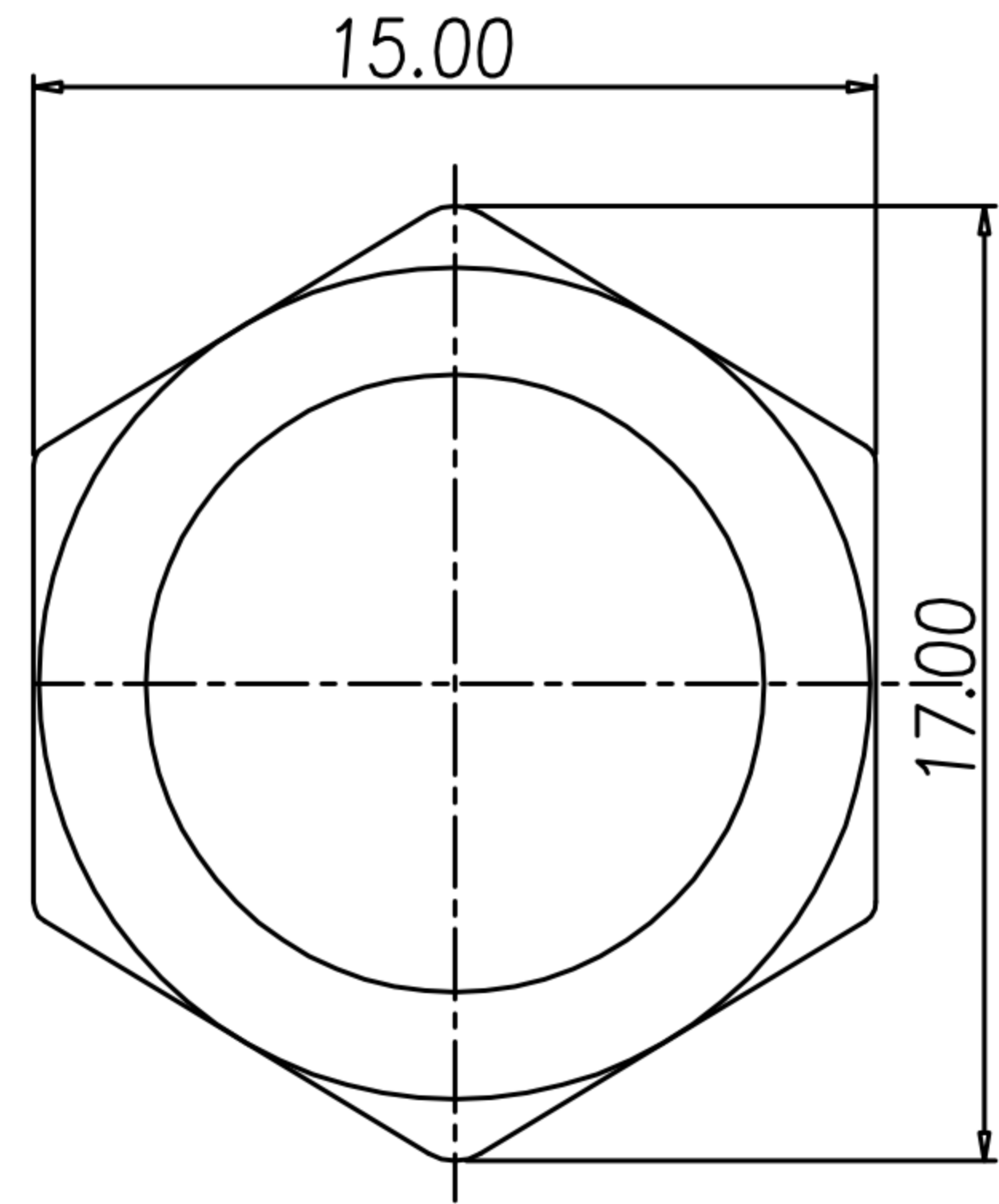
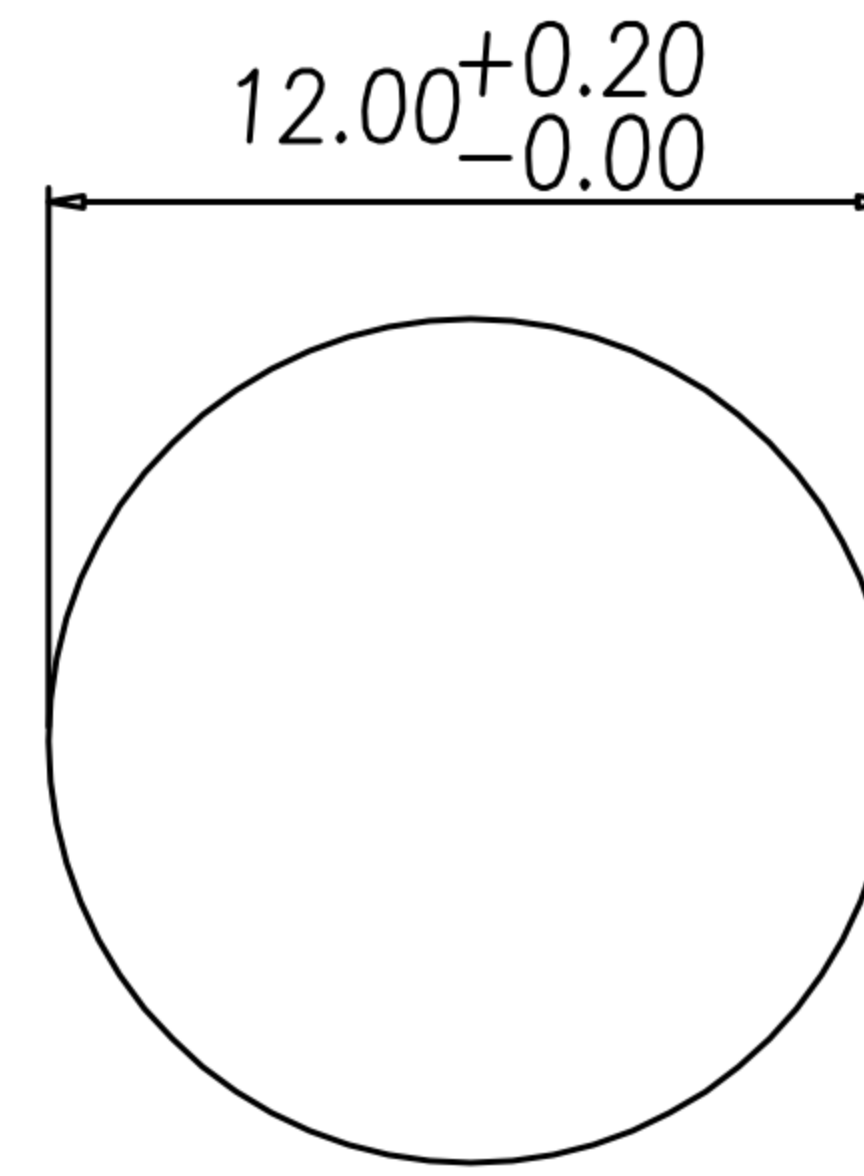


CUSTOMER DRAWING

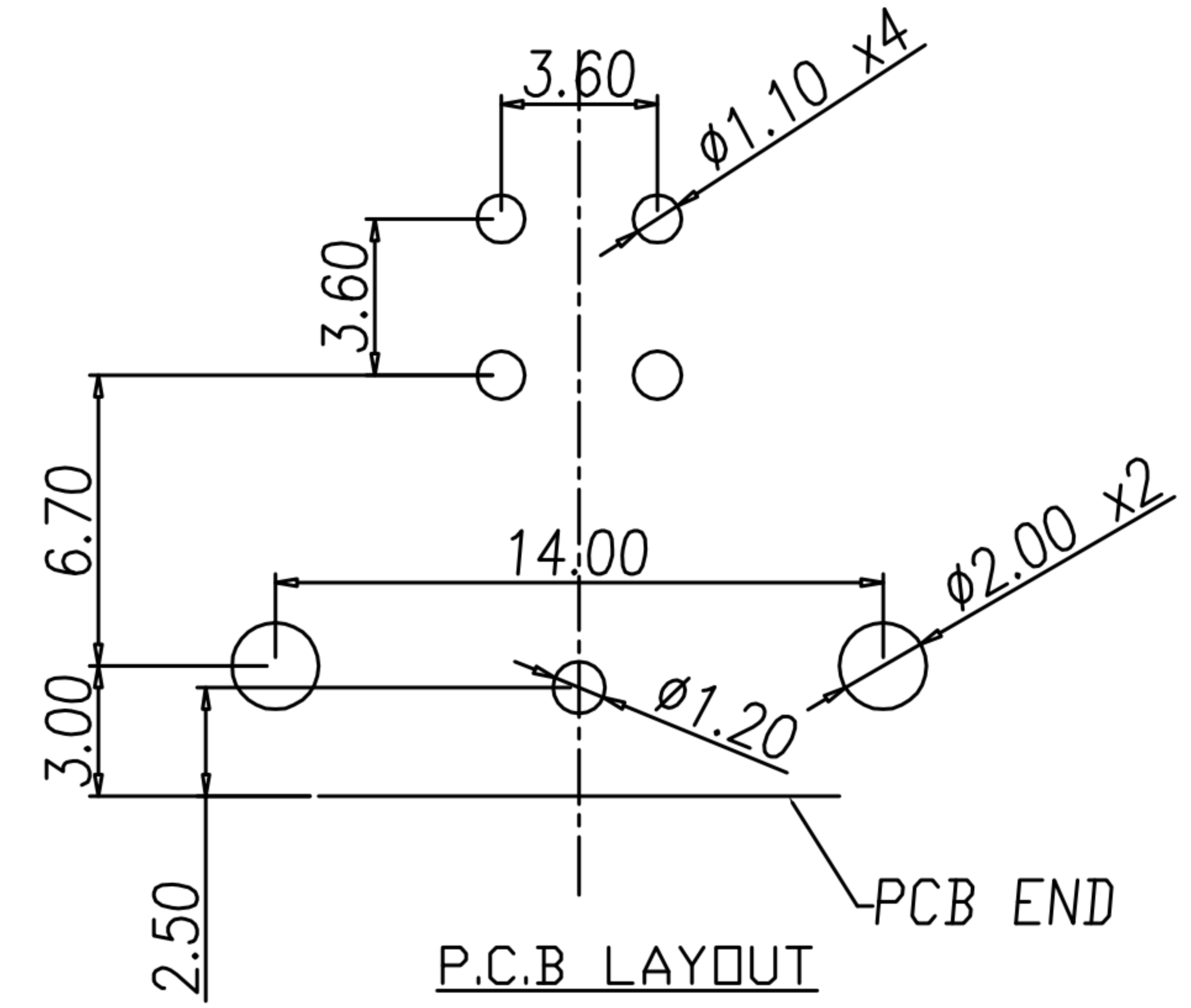
REV.	DESCRIPTION	APPROVED BY	DATE	ECN NO.
△A	RELEASE	Fido Weng	22/12/08*	
△B	增加公差	Yeh Chou	17/05/19*	
△C				



NUT



PANEL CUT-OUT



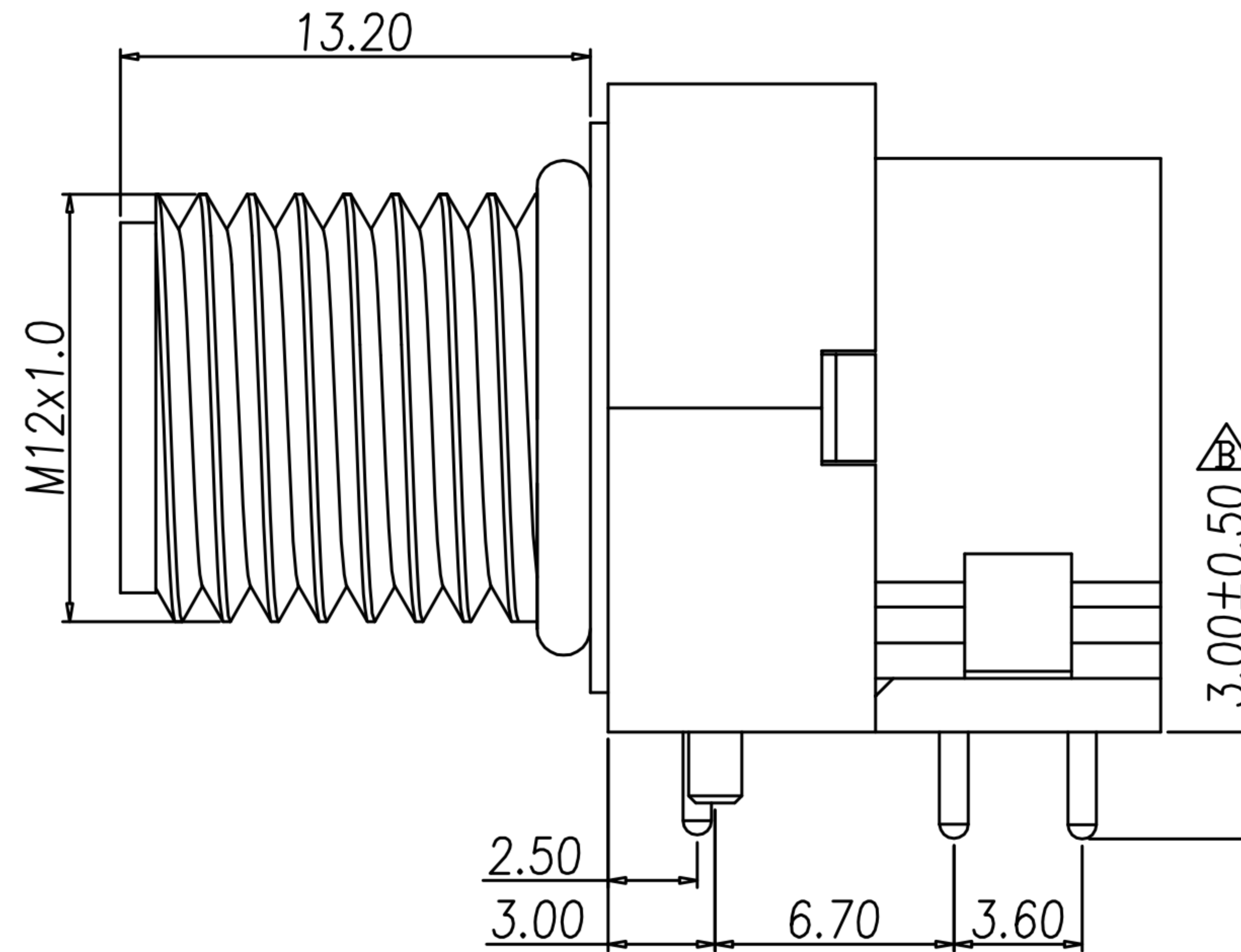
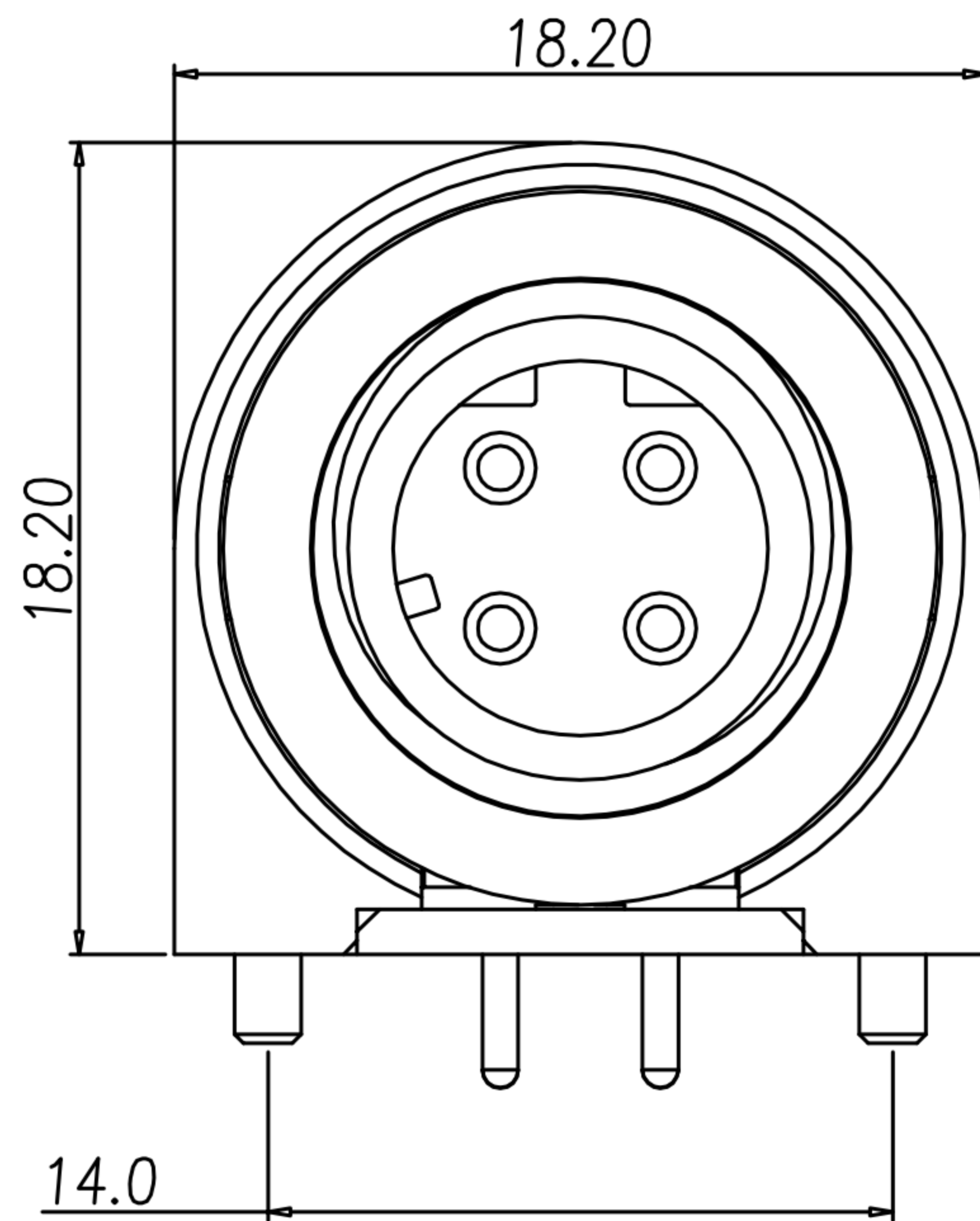
P.C.B LAYOUT

TABLE A 4P

WP-04M2-94-11	GOLD FLASH
WP-04M2-136-11	GOLD 10u"
PART NO	FINISH

NOTE:

- MATERIAL :
 - HOUSING : PBT UL94V-0 ; COLOR : BLACK
 - CONTACT : BRASS
 - NUT : BRASS
 - SHELL : BRASS
 - O-RING : EPDM ; COLOR : BLACK
 - BACK HOUSING : PBT UL94V-0 ; COLOR : BLACK
 - DOWN HOUSING : PBT UL94V-0 ; COLOR : BLACK
- FINISH :
 - CONTACT : SEE TABLE A
UNDER PLATE : NICKEL
 - SHELL : NICKEL PLATED.
 - NUT : NICKEL PLATED.
- ELECTRICAL SPECIFICATION :
 - Rated current : 4A
 - Rated Voltage : 250V
 - Water proof : IPX7
- Environmental :
 - Operation Temperature : -40°C~85°C



DRAWN	Yeh Chou	APPEND	Emily Suen	UNIT	mm	TOLERANCE		广东科斯达电子科技有限公司 GUANG DONG KE SI DA ELECTRONIC TECHNOLOGY CO., LTD.	TITLE	WATERPROOF M12*1.0 (M) 90度 D-CODE			SHEET	
CHK'D	Emily Suen			SCALE	1:1	.x ±0.20 .xx ±0.10 .xxx ±0.05 .xxxx ±0.03 ANGULA ±1°			PART NO.	SEE TABLE A	DWG NO.	QC6529	VERSION	