

CUSTOMER DRAWING

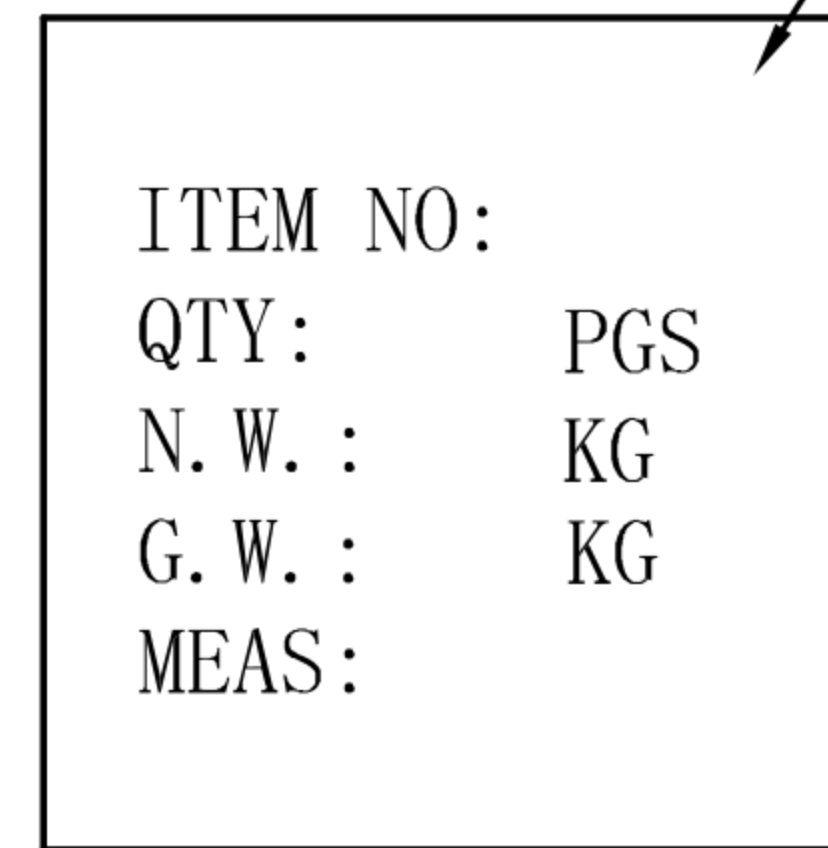
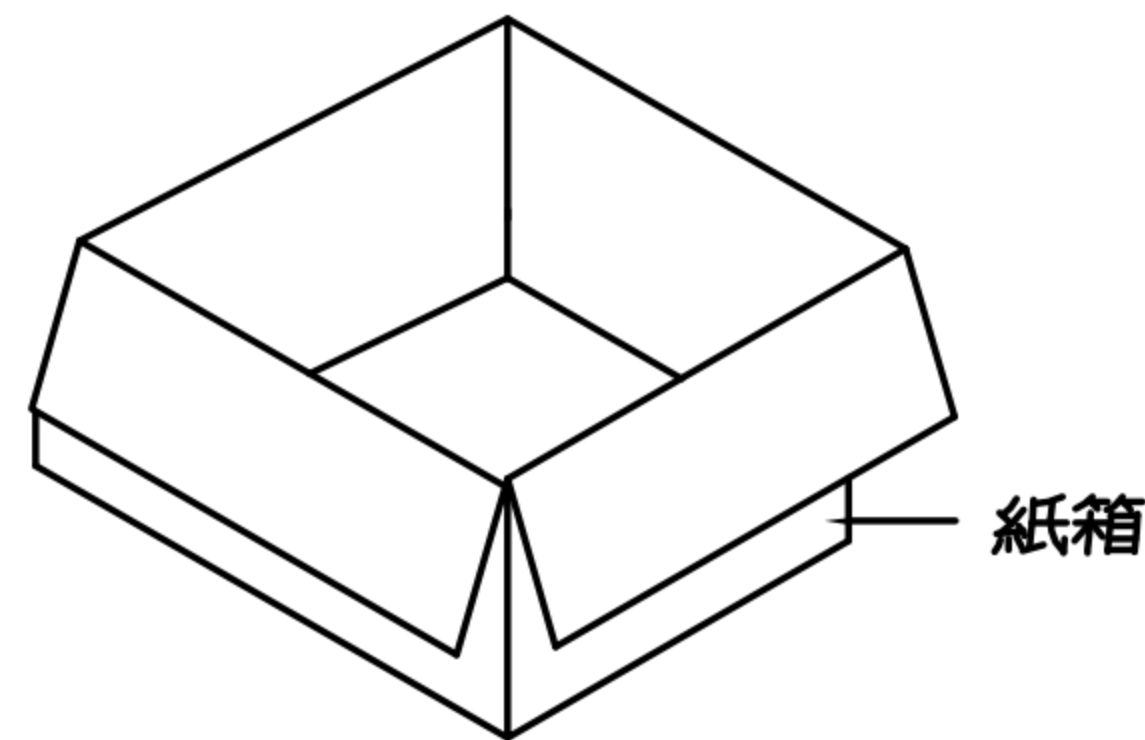
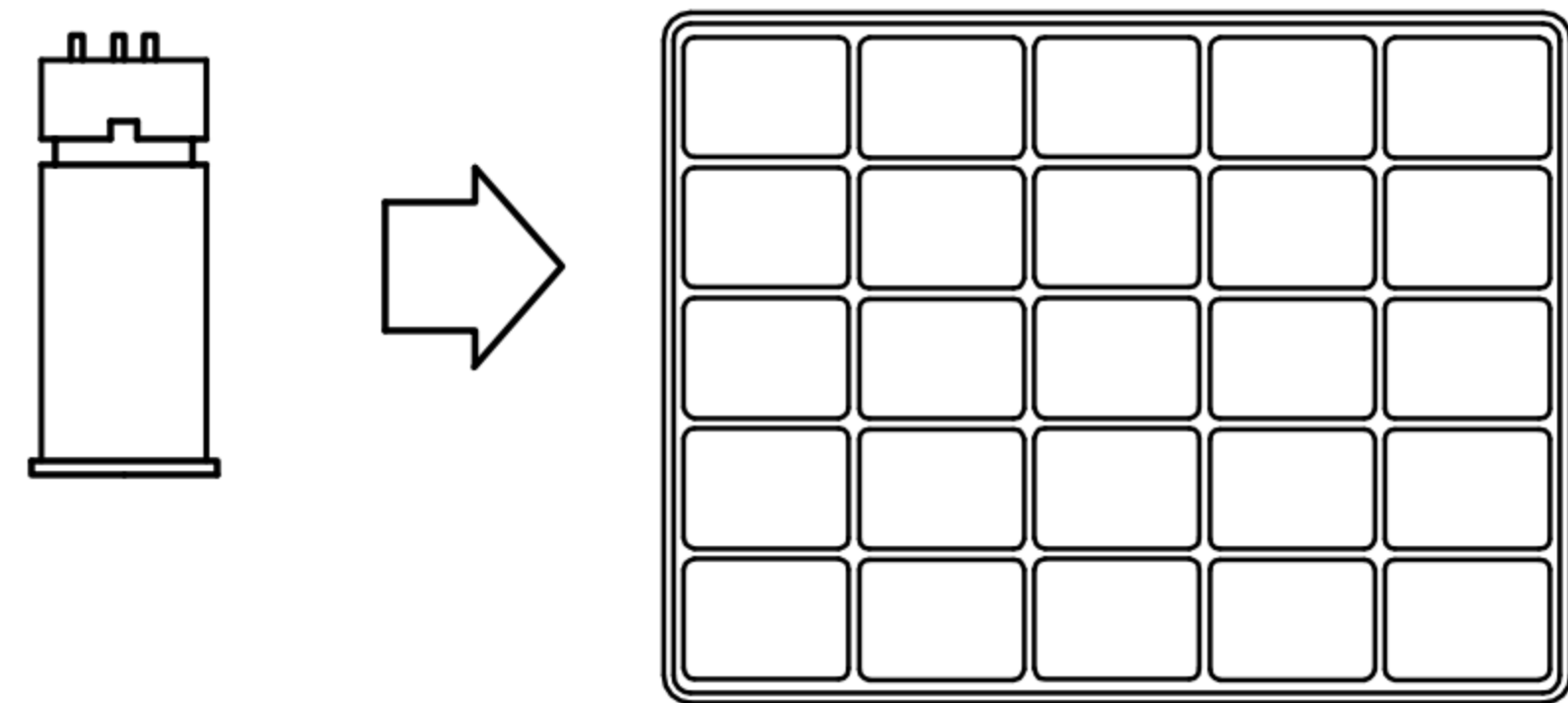
| REV. | DESCRIPTION                        | APPVL. BY | DATE      | ECN NO. |
|------|------------------------------------|-----------|-----------|---------|
| C    | ADD TABLE A                        | Fido Weng | 31/12/08' |         |
| D    | Add New Color Housing and Part No. | Fido Weng | 11/15/12' |         |
| E    | Add Part No.                       | Ku Chou   | 10/02/20' |         |

包裝方式

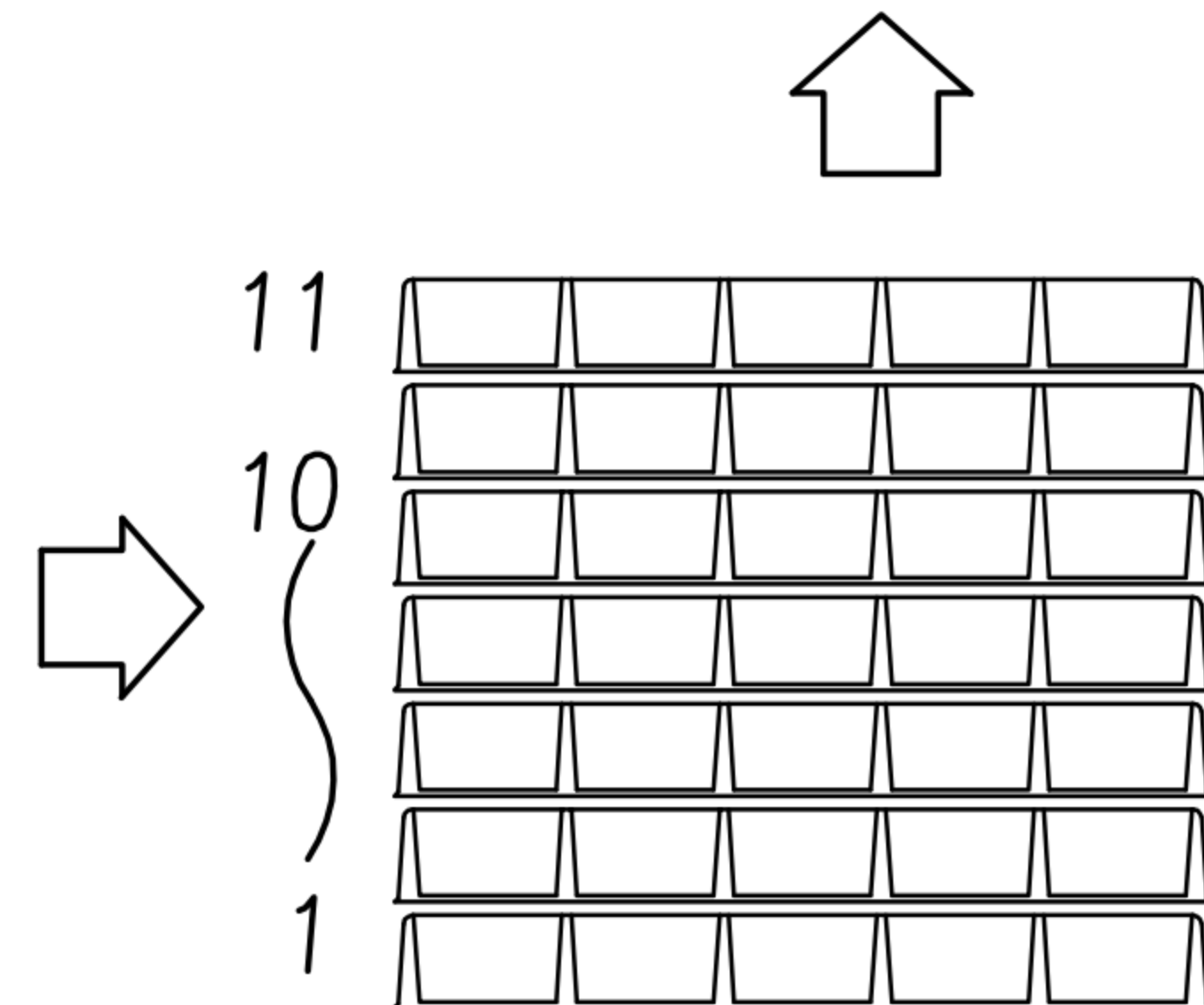
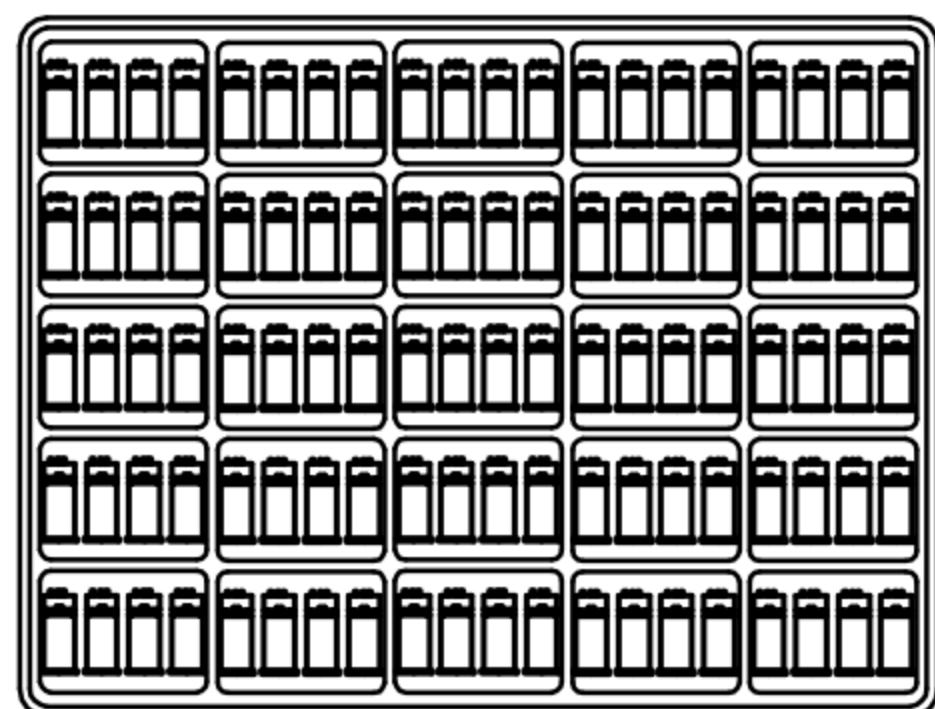
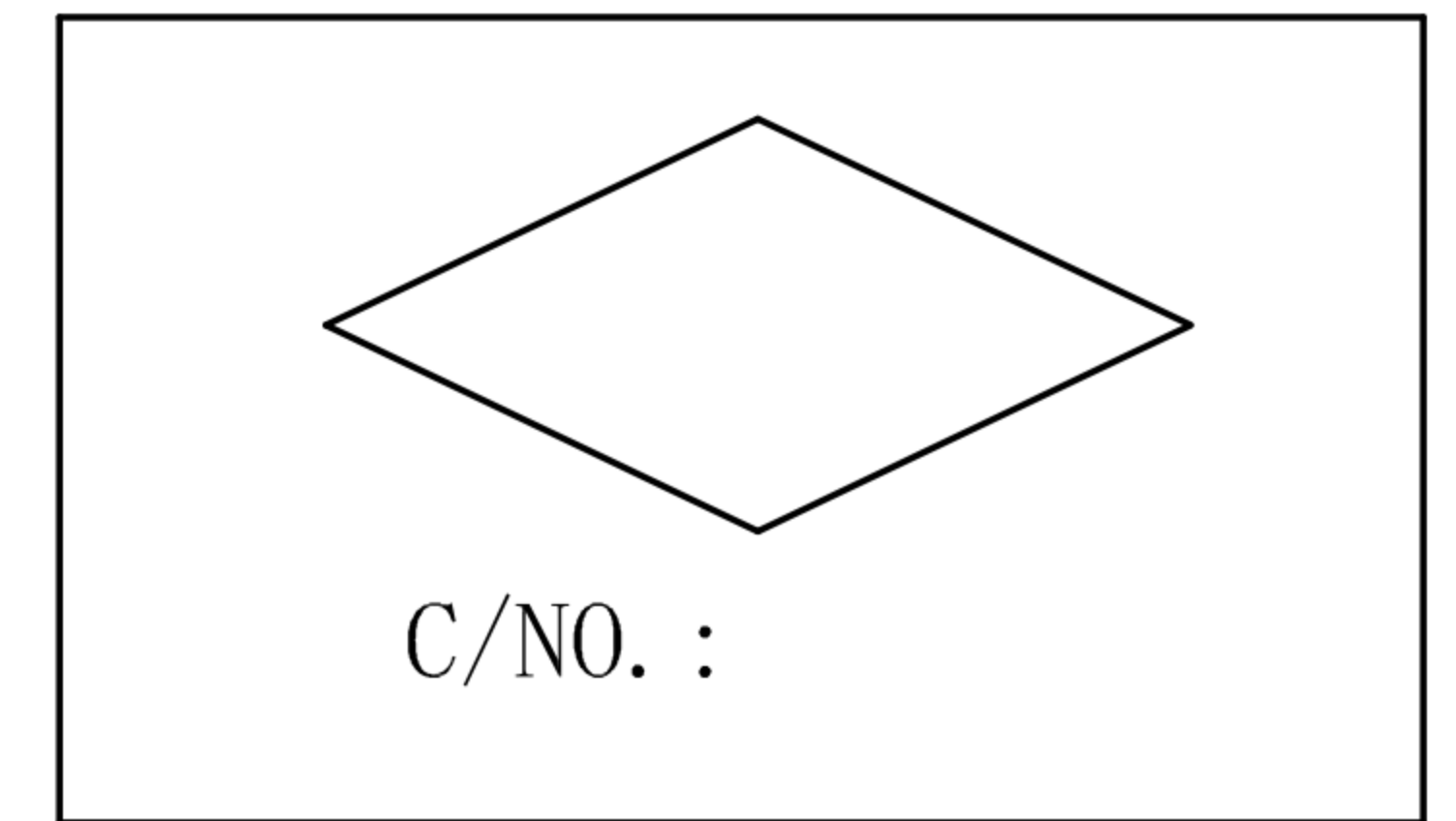
1. 將半成品一一放入包裝盤內。
2. 包裝方式, 如圖所示。
3. 1格各裝4PCS, 一個包裝盤1000PCS
4. 裝滿盤後堆層至10盤止, 最上層為空盤做蓋子(共11盤)
5. 層疊11盤後, 在以膠膜固定, 一箱數量為1000PCS
6. 螺母另外裝入塑膠袋中後封口, 一袋為500PCS, 一箱2袋
7. 將包裝盤和螺母放紙入箱後以膠帶封箱。
8. 將標籤貼於紙箱上。

NOTE:

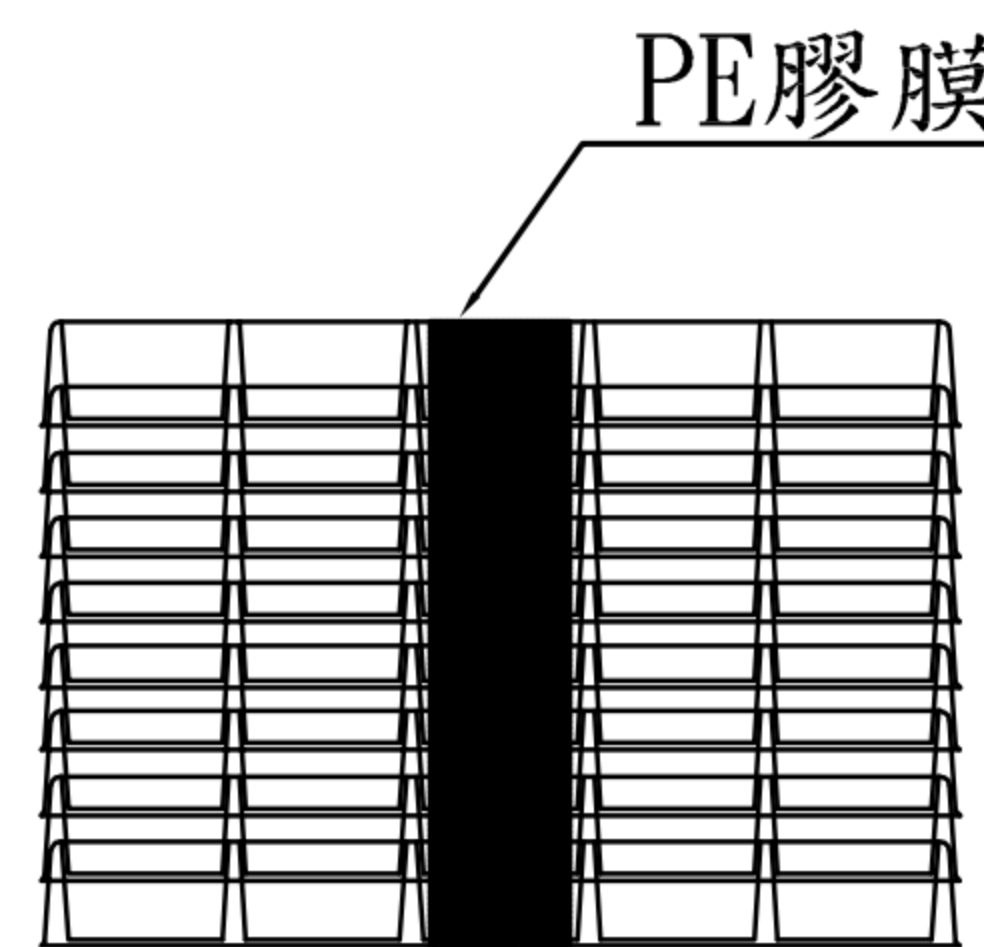
1. 若有未裝滿之零數箱, 必須以緩衝材塞滿。
2. 在搬運過程中要輕拿輕放。
3. 載運輸中不可堆放過多, 不可有重壓現象。
4. PE膠膜纏繞時不可緊綁。



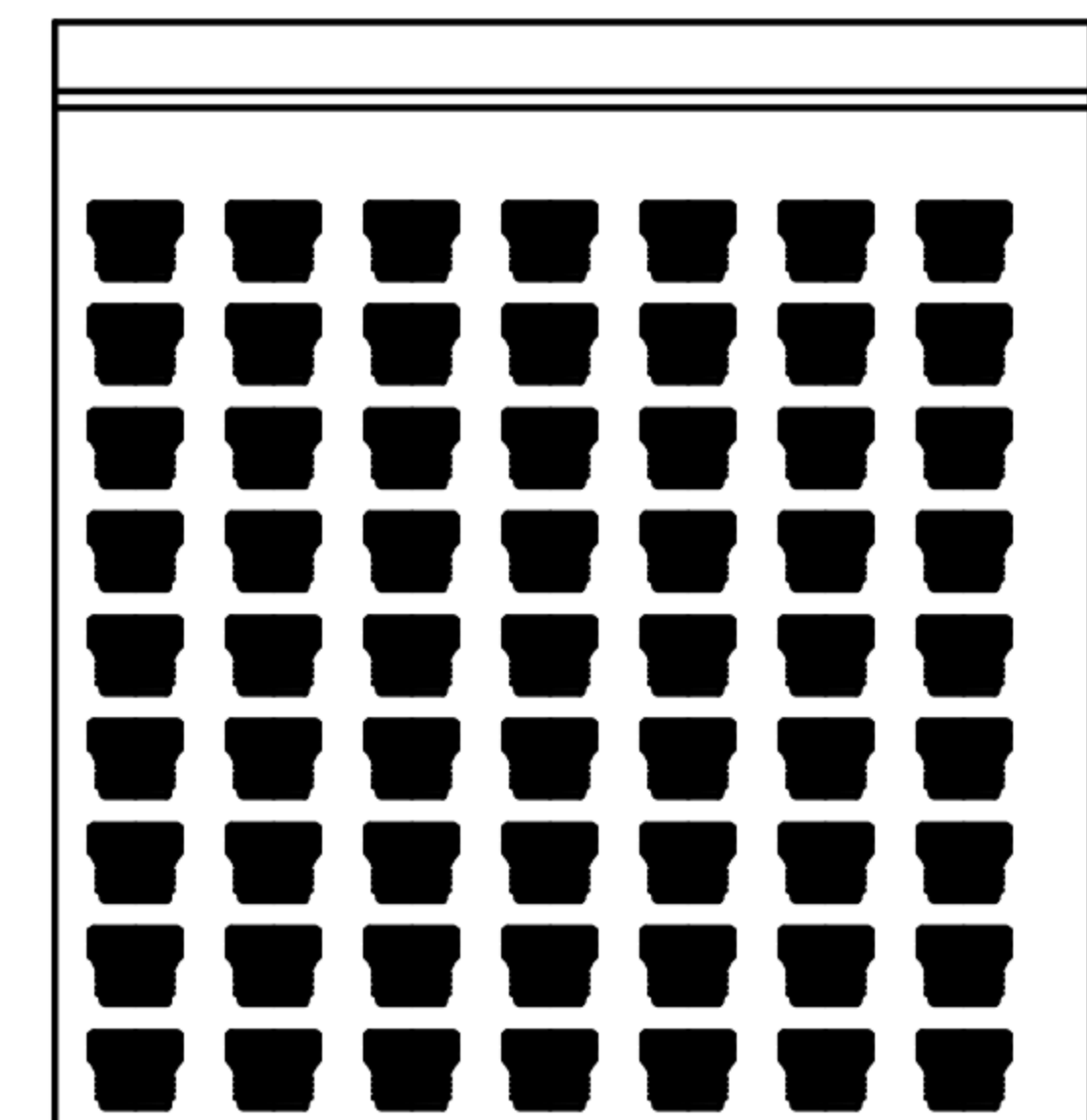
標籤處



實際層疊(含上層蓋為11層)



500PCS X 2

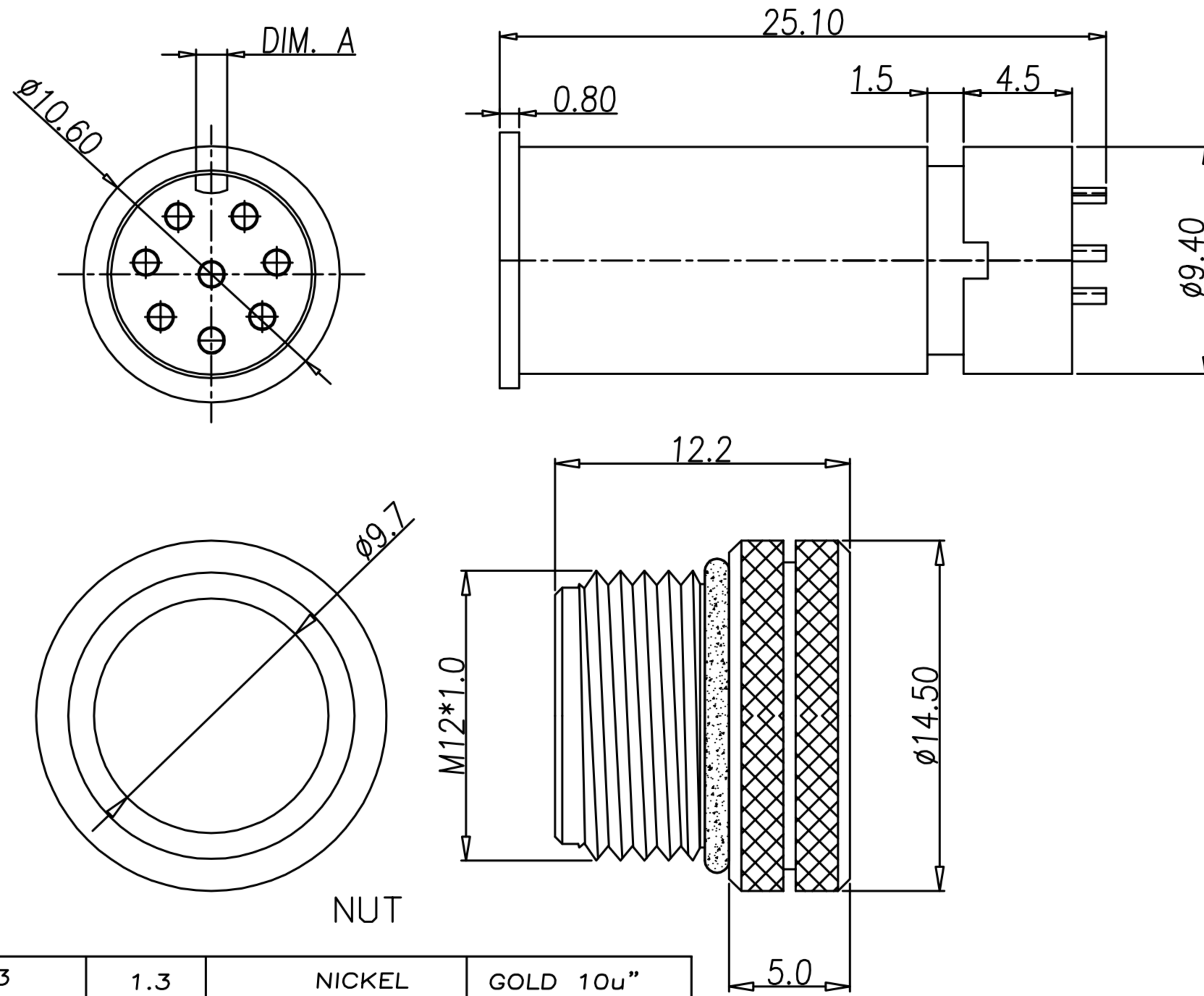


螺母+油封

|       |            |       |         |       |     |  |  |  |          |                              |         |        |         |   |
|-------|------------|-------|---------|-------|-----|--|--|--|----------|------------------------------|---------|--------|---------|---|
| DRAWN | Emily Suen | APP'D | Ku Chou | UNIT  | mm  | TOLERANCE  |  |  | TITLE    | 防水頭 M12 (M) A-CODE 線端焊線式 包裝圖 |         |        | SHEET   | 2 |
| CHK'D | Emily Suen |       |         | SCALE | 1:1 | .x ±0.20<br>.xx ±0.10<br>.xxx ±0.05<br>.xxxx ±0.03<br>ANGULA ±1° |  |  | PART NO. | SEE TABLE A                  | DWG NO. | QC3050 | VERSION | E |

# CUSTOMER DRAWING

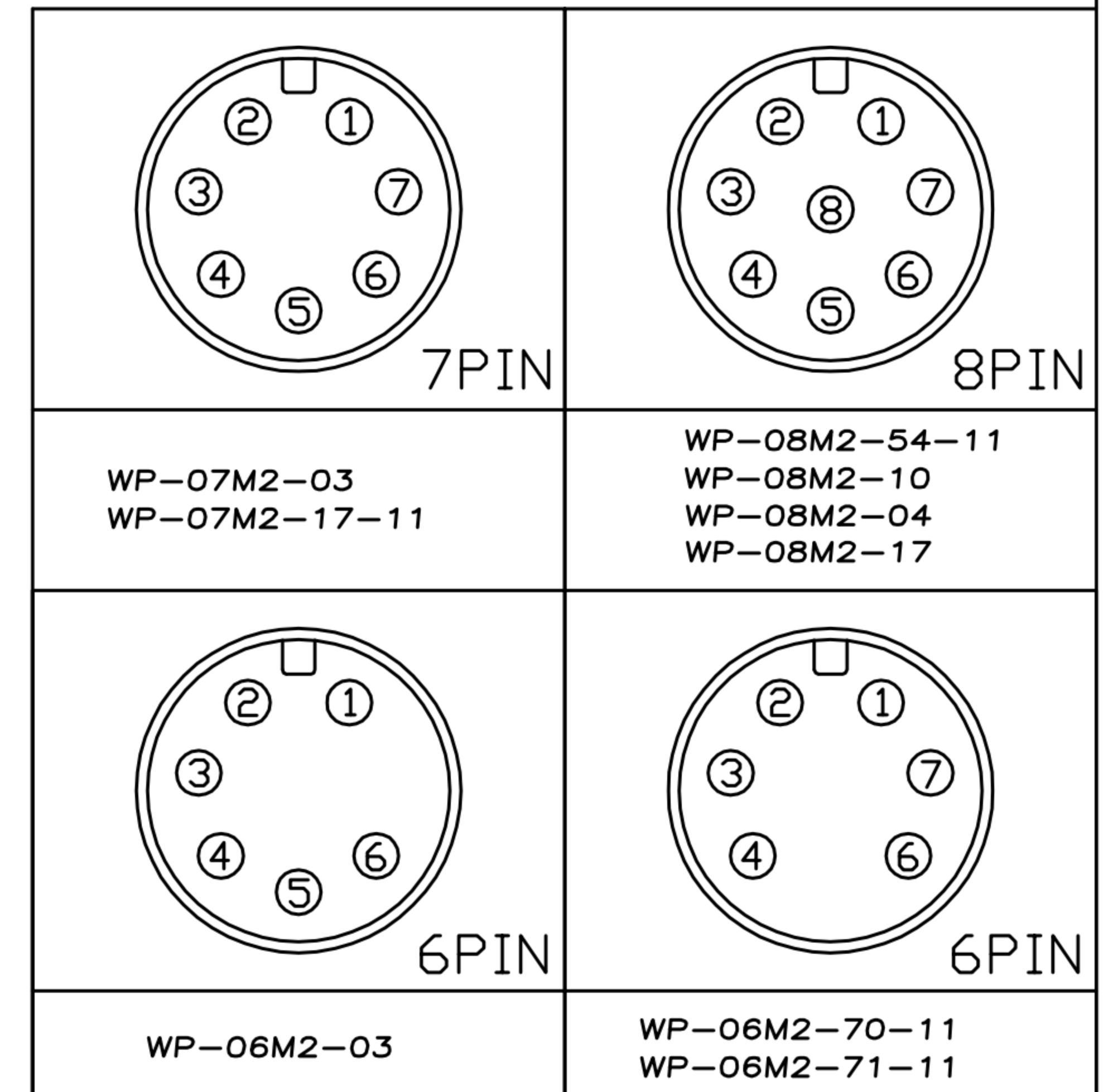
| REV. | DESCRIPTION                        | APPVL. BY | DATE      | ECN NO.   |
|------|------------------------------------|-----------|-----------|-----------|
| △C   | ADD TABLE A                        | Fido Weng | 31/12/08' | ECN-08023 |
| △D   | Add New Color Housing and Part No. | Fido Weng | 11/15/12' |           |
| △E   | Add Part No.                       | Ku Chou   | 10/02/20' |           |



1. MATERIAL :
  - 1-1. HOUSING : PBT UL94V-0 ; COLOR : BLACK
  - 1-2. CONTACT : BRASS
  - 1-3. NUT : BRASS
  - 1-4. O-RING : EPDM ; COLOR : BLACK
2. FINISH :
  - 2-1. CONTACT : SEE TABLE A  
UNDER PLATE : NICKEL
  - 2-2. NUT : SEE TABLE A
3. ELECTRICAL SPECIFICATION :
  - 3-1. Rated current : 2A
  - 3-2. Rated voltage : 30V
  - 3-3. Water proof : IP67/68
4. Environmental :
  - 4-1. Operation Temperature : -40℃~85℃

TABLE A

| P/N           | DIM. A | NUT          | CONTACT    |
|---------------|--------|--------------|------------|
| WP-06M2-03    | 1.3    | NICKEL       | GOLD 10u"  |
| WP-08M2-54-11 | 1.3    | NICKEL       | GOLD FLASH |
| WP-08M2-10    | 1.3    | BLACK NICKEL | GOLD 10u"  |
| WP-08M2-04    | 1.3    | NICKEL       | GOLD 10u"  |
| WP-08M2-17    | 1.1    | NICKEL       | GOLD 10u"  |
| WP-07M2-03    | 1.3    | NICKEL       | GOLD 10u"  |
| WP-07M2-17-11 | 1.1    | NICKEL       | GOLD 10u"  |
| WP-06M2-70-11 | 1.3    | NICKEL       | GOLD 10u"  |
| WP-06M2-71-11 | 1.1    | NICKEL       | GOLD 10u"  |



|       |            |       |         |       |     |  |
|-------|------------|-------|---------|-------|-----|--|
| DRAWN | Emily Suen | APP'D | Ku Chou | UNIT  | mm  | TOLERANCE  |
| CHK'D | Ku Chou    |       |         | SCALE | 1:1 | .x ±0.20<br>.xx ±0.10<br>.xxx ±0.05<br>.xxxx ±0.03<br>ANGULA ±1° |




**广东科斯达电子科技有限公司**  
 GUANG DONG KE SI DA ELECTRONIC TECHNOLOGY CO., LTD.

|          |               |         |        |         |     |
|----------|---------------|---------|--------|---------|-----|
| TITLE    | 防水头 8 PIN (M) |         |        | SHEET   | 1/2 |
| PART NO. | SEE TABLE A   | DWG NO. | QC3050 | VERSION | E   |