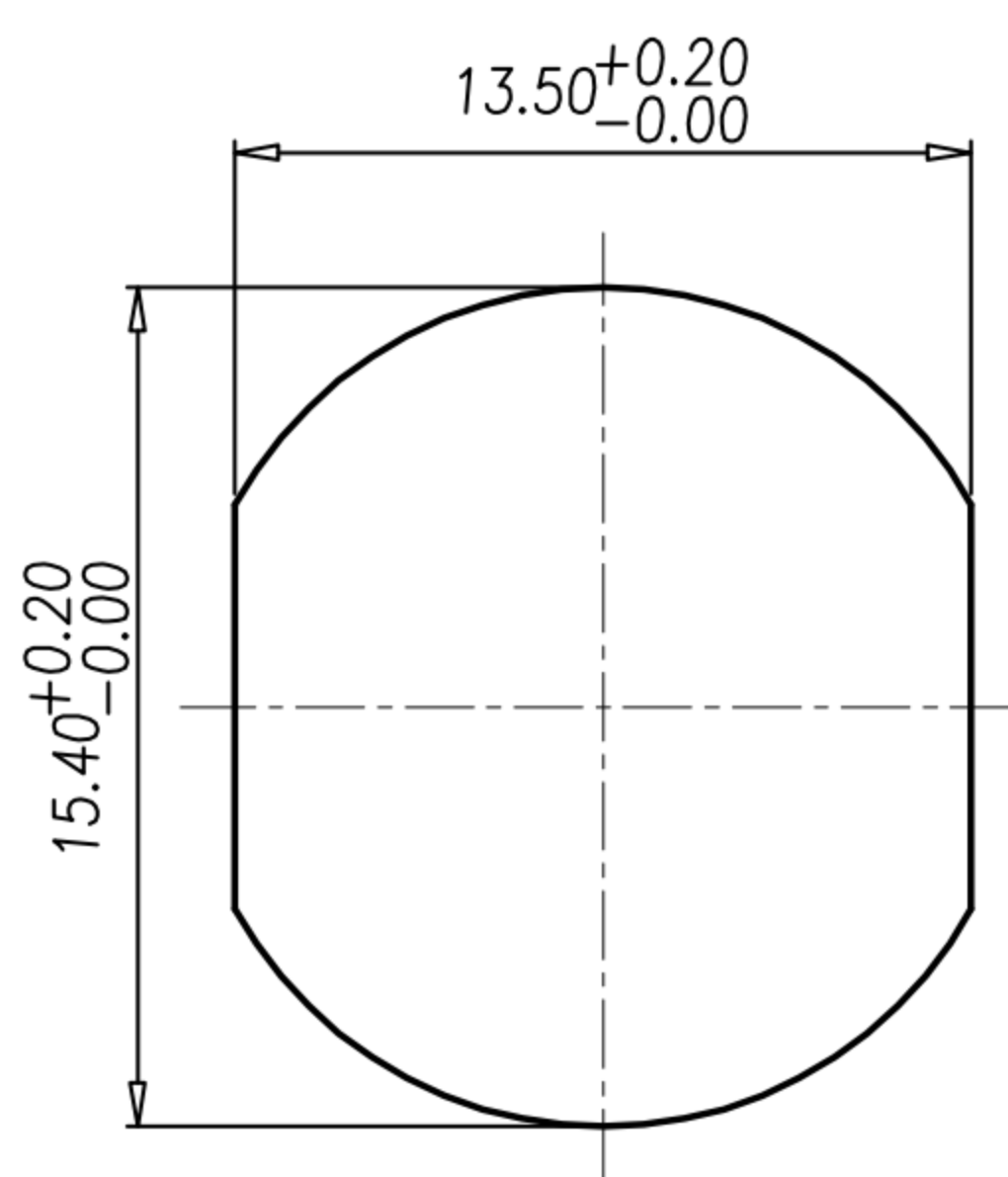
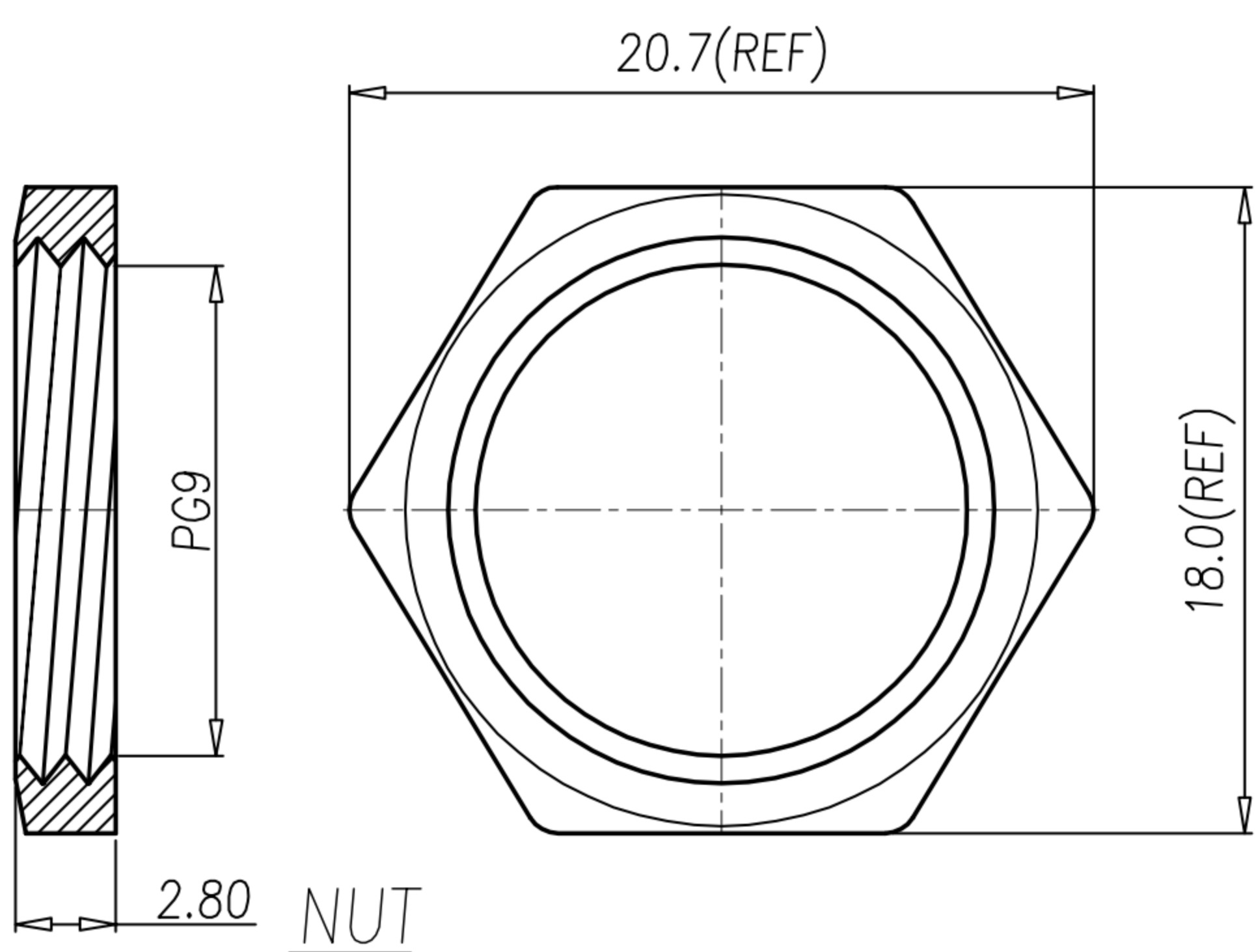
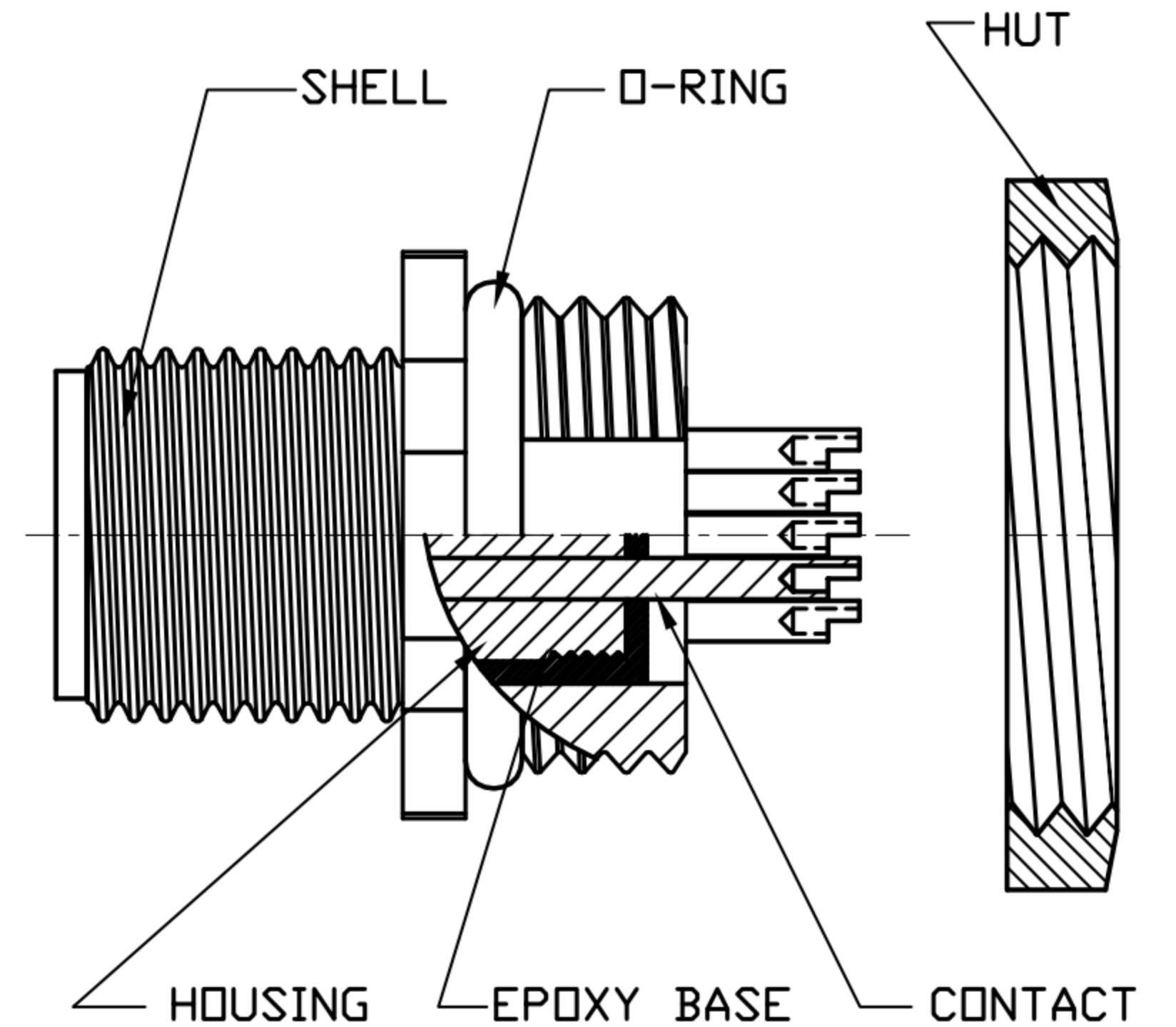
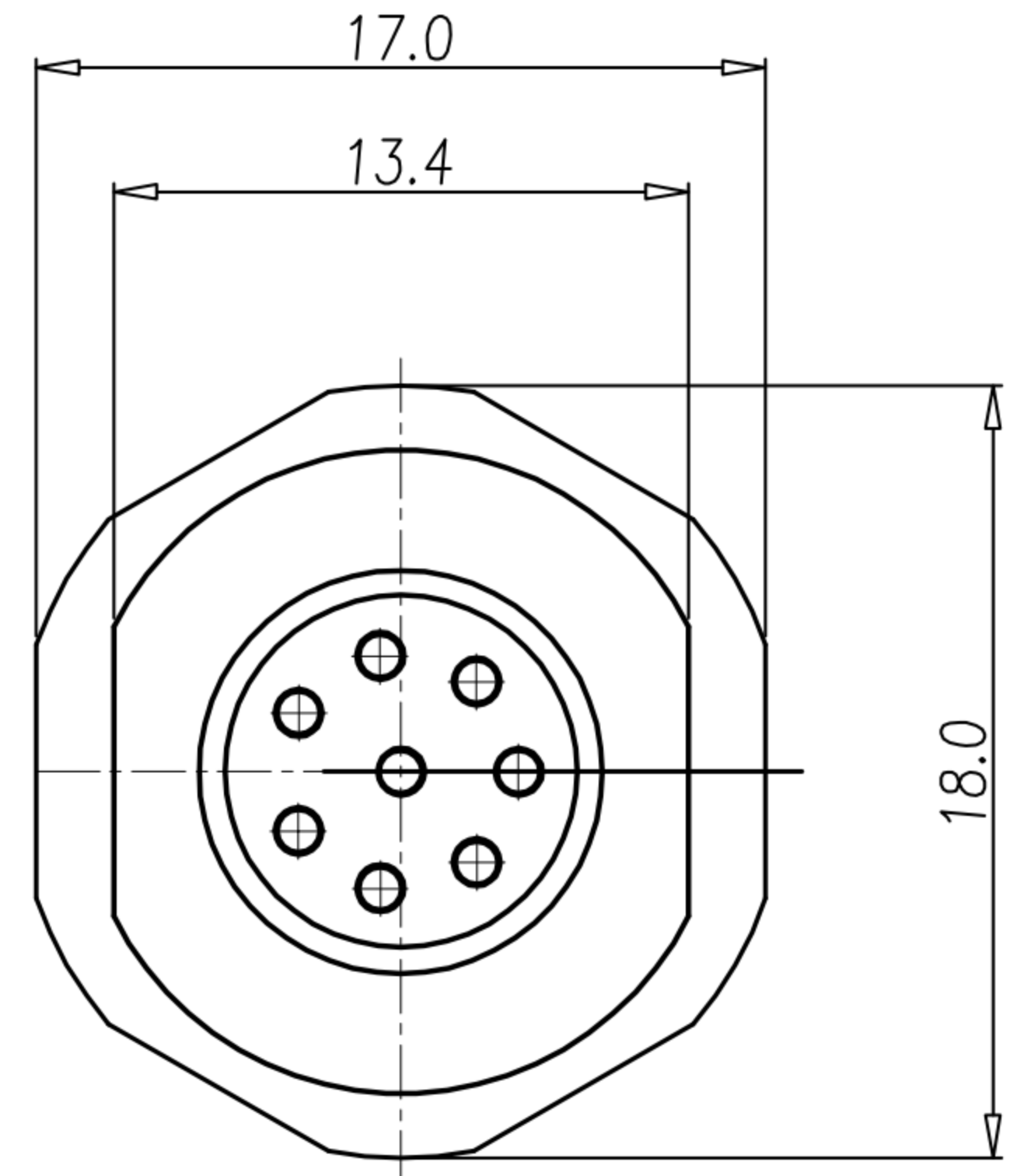
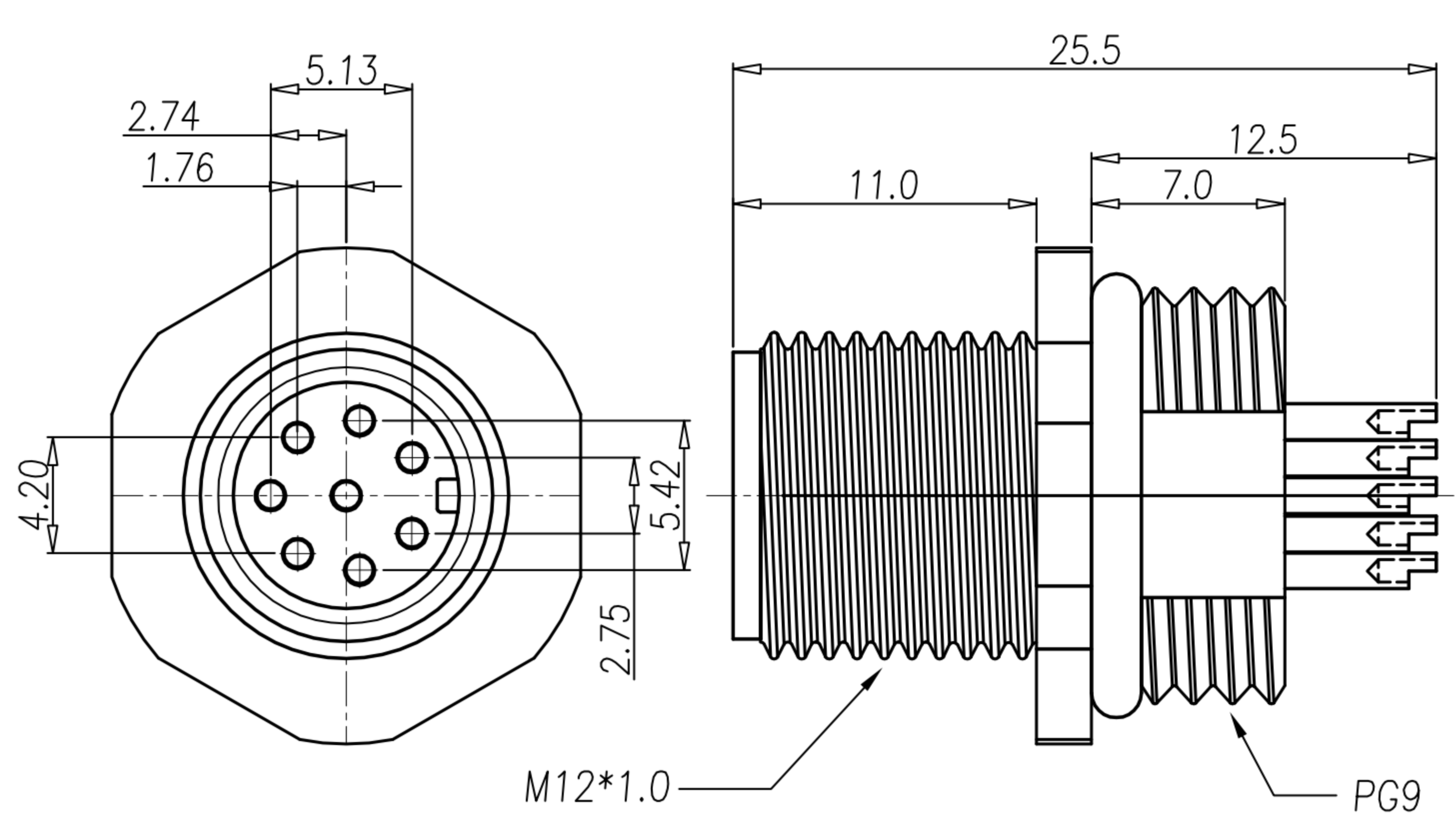


# CUSTOMER DRAWING

REV.	DESCRIPTION	APPVL. BY	DATE	ECN NO.
A	RELEASE	Fido Weng	13/02/09*	
B				
C				



RECOMMEND PANEL CUT-OUT

- NOTE
- MATERIAL :
    - 1-1. HOUSING : PBT UL94V-0 ; COLOR : BLACK
    - 1-2. CONTACT : BRASS
    - 1-3. SHELL : BRASS
    - 1-4. NUT : BRASS
    - 1-5. O-RING : NBR ; COLOR : BLACK
  - FINISH :
    - 2-1. CONTACT : 10 MICRO INCHES MIN. GOLD PLATED  
UNDER PLATE : NICKEL
    - 2-2. SHELL : NICKEL PLATED 60u" ~ 100u" OVER ALL
    - 2-3. NUT : NICKEL PLATED 60u" ~ 100u" OVER ALL
  - ELECTRICAL SPECIFICATION :
    - 3-1. Rated current : 2A
    - 3-2. Rated Voltage : 30V
    - 3-3. Water proof : IPX7
  - Environmental :
    - 4-1. Operation Temperature : -40℃~85℃

DRAW	Mark Kao	APPVL	Emily Suen	UNIT	mm	TOLERANCE		广东科斯达电子科技有限公司 GUANG DONG KE SI DA ELECTRONIC TECHNOLOGY CO., LTD.	TITLE	WP M12 8PIN(M) 8PIN(M) (PG9) A Code			SHEET	1
CHECK	Ku Chou			SCALE	1:1	.x ±0.10 .xx ±0.05 .xxx ±0.03 .xxx ±0.01 ANGULA ±1°			PART NO.	WP-08M2-12	DWG NO.	QC4087	VERSION	