

CUSTOMER DRAWING

REV.	DESCRIPTION	APPROVED BY	DATE	ECN NO.
△A	RELEASE	Fido Weng	22/12/08*	
△B				
△C				

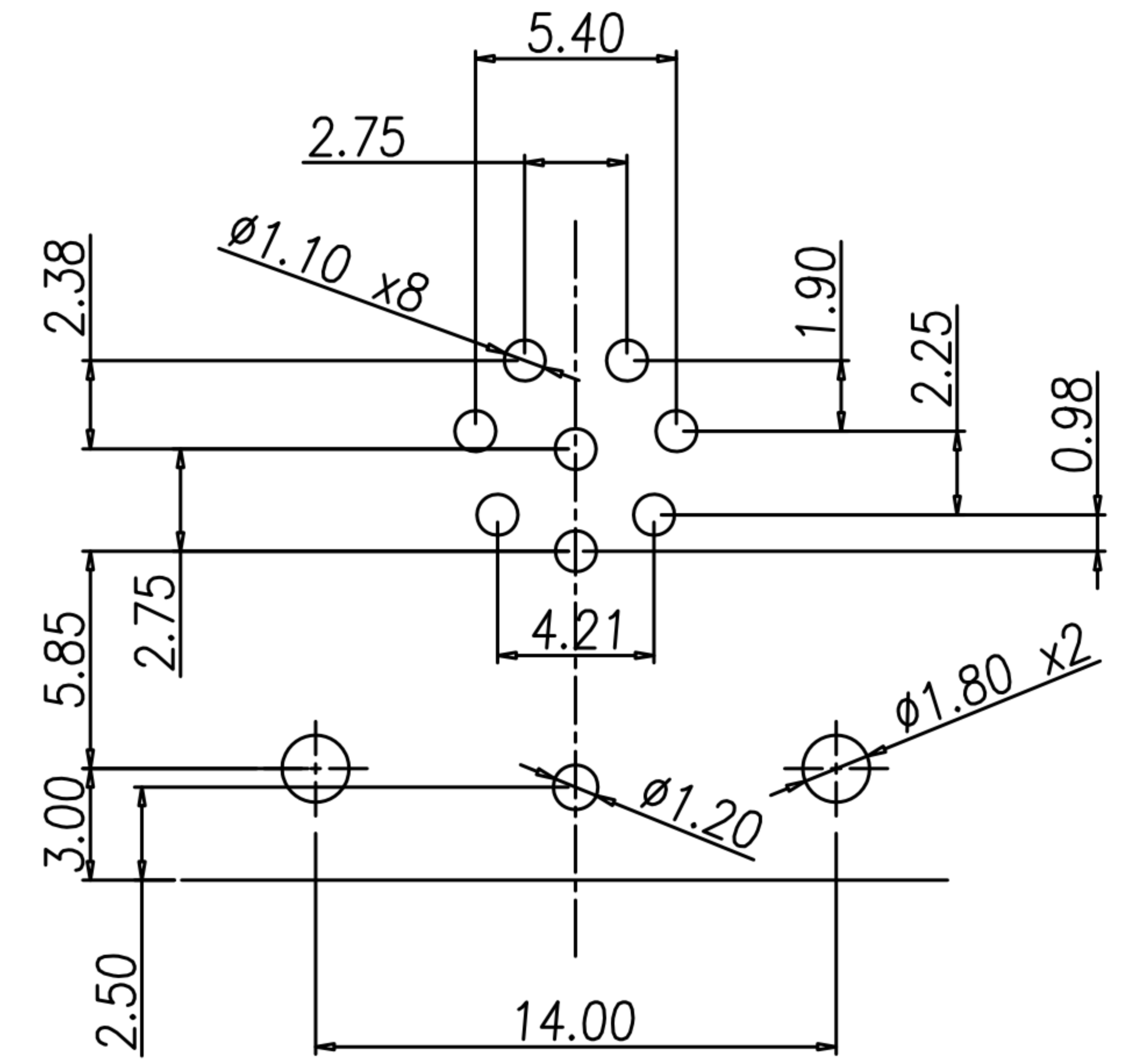
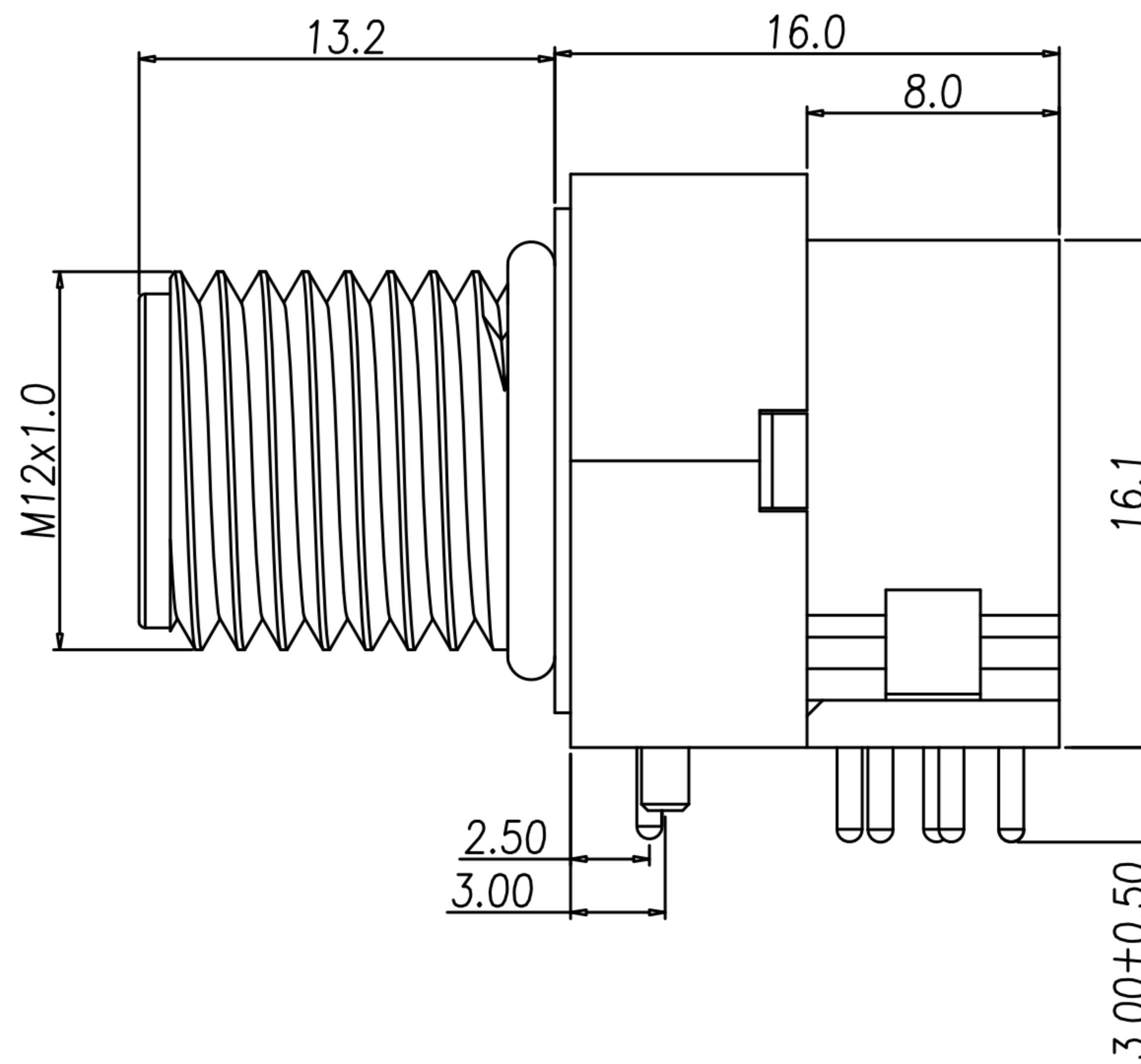
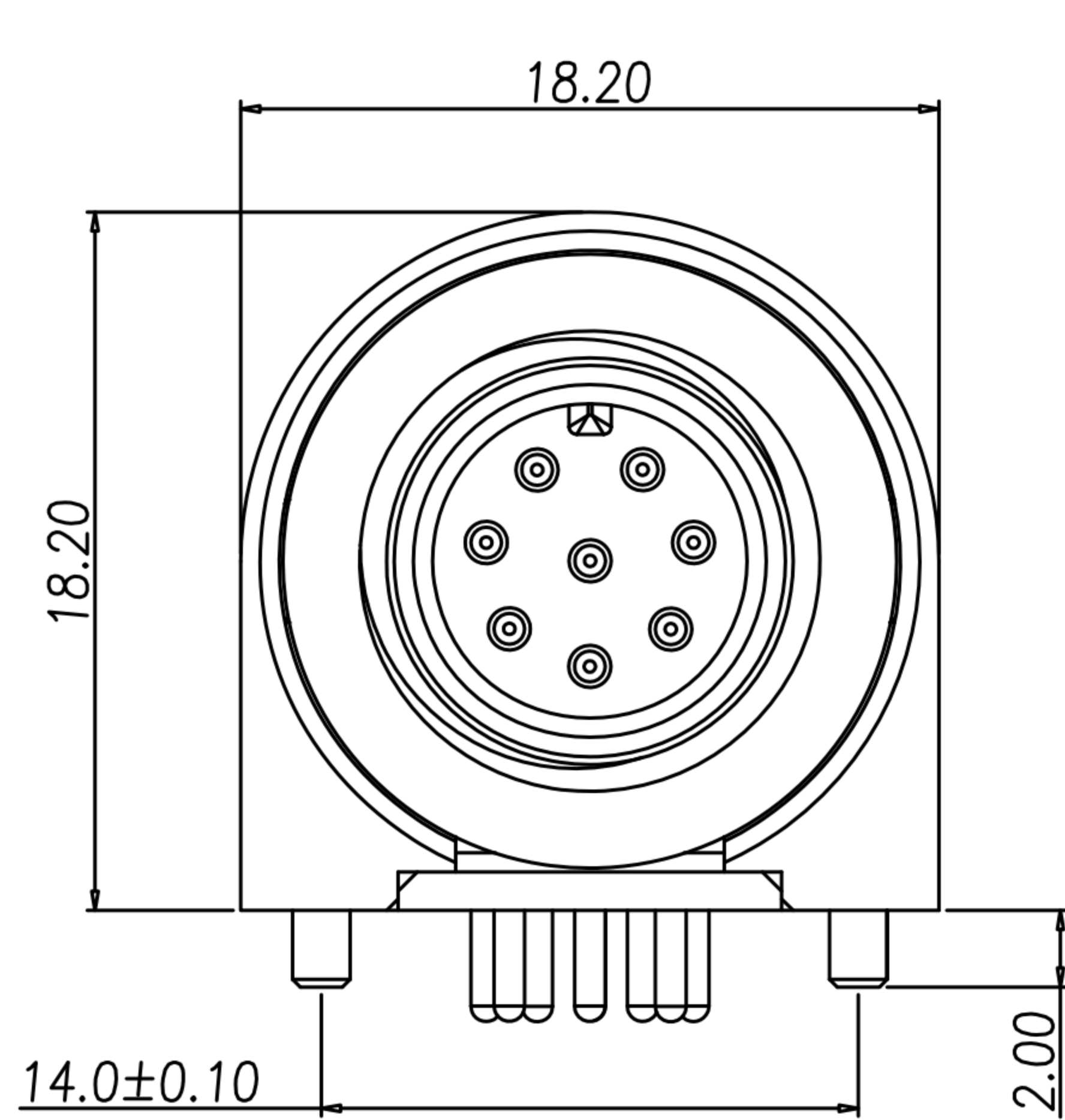


TABLE A

WP-08M2-51-11	GOLD FLISH
WP-08M2-40-11	GOLD 10u"
PART NO	FINISH

NOTE:

- MATERIAL :
 - HOUSING : PBT UL94V-0 ; COLOR : BLACK
 - CONTACT : BRASS
 - NUT : BRASS
 - SHELL : BRASS
 - O-RING : EPDM ; COLOR : BLACK
 - BACK HOUSING : PBT UL94V-0 ; COLOR : BLACK
 - DOWN HOUSING : PBT UL94V-0 ; COLOR : BLACK

2. FINISH :

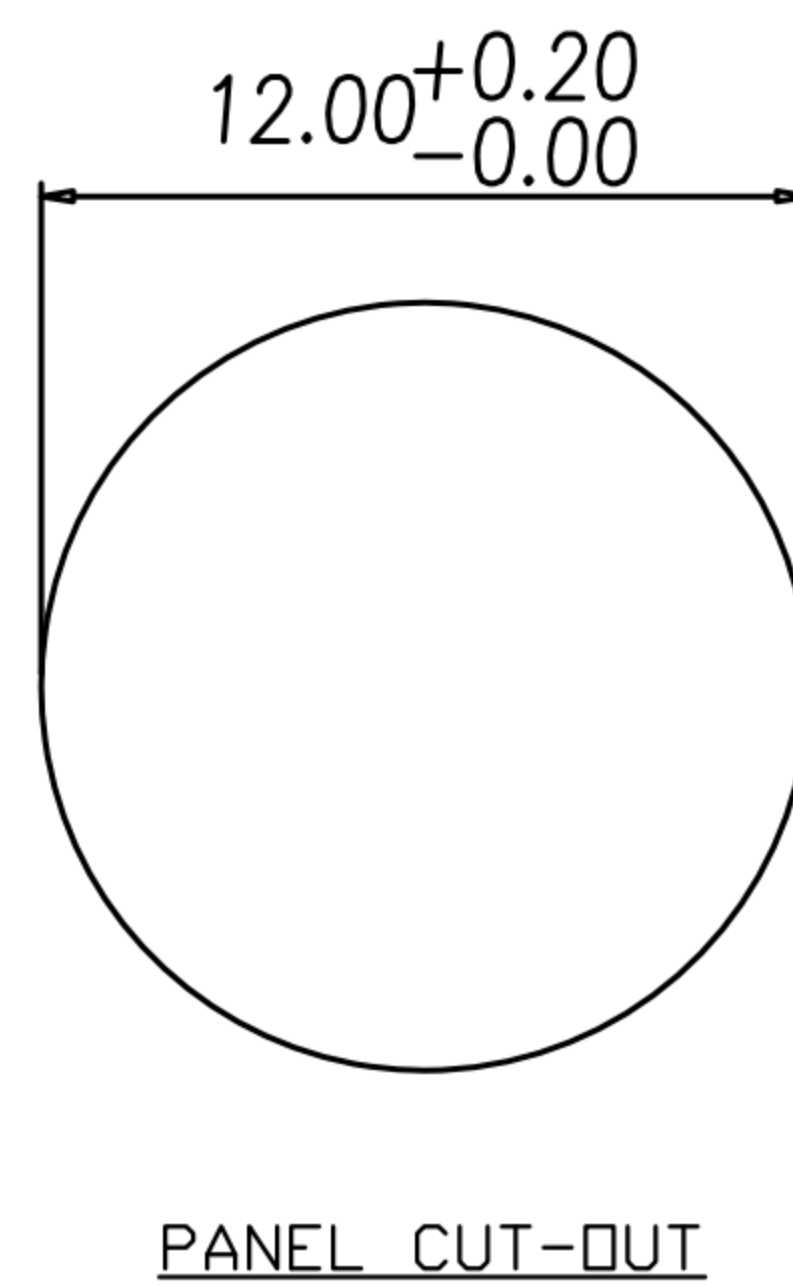
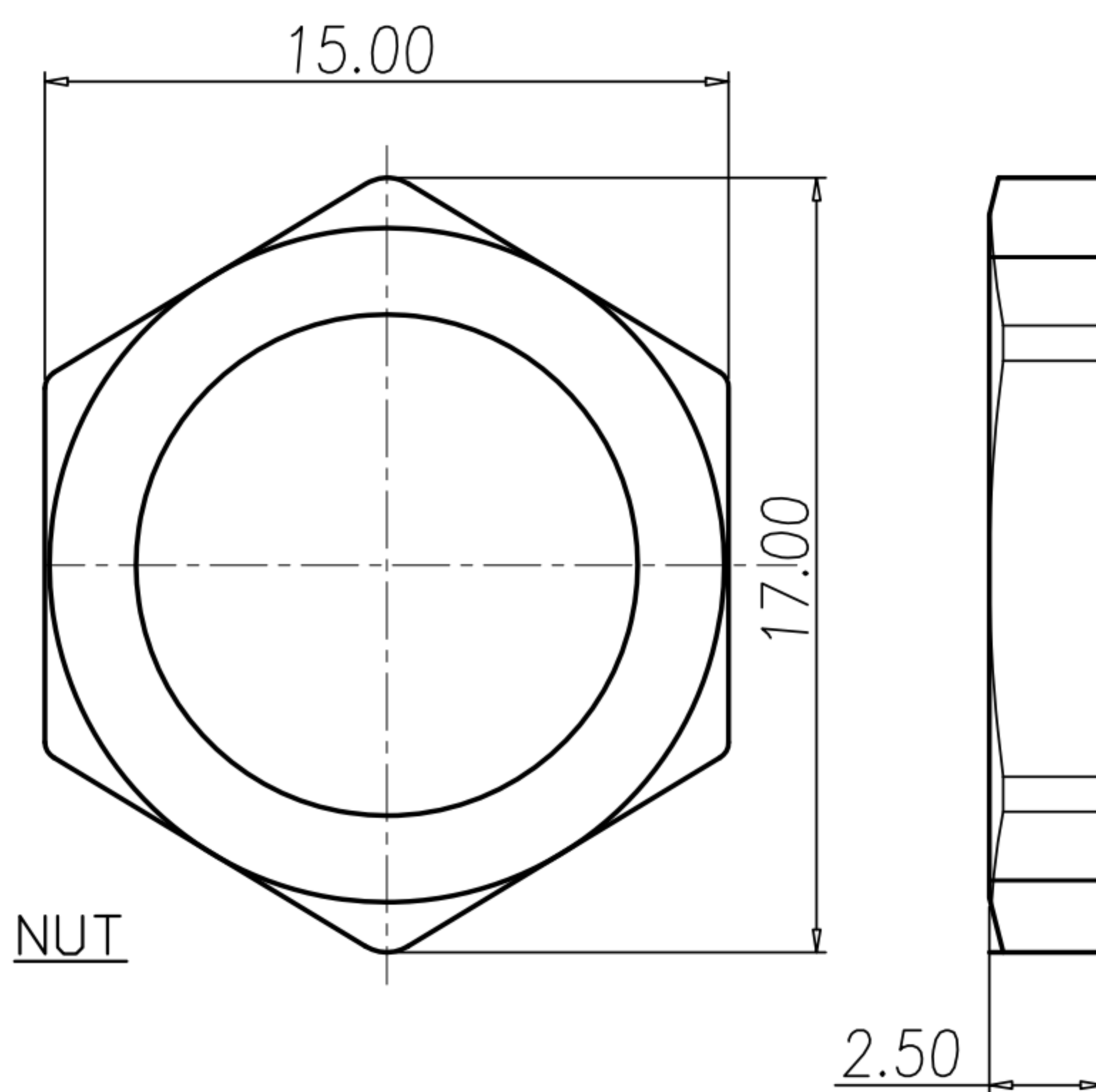
- CONTACT : SEE TABLE A
UNDER PLATE : NICKEL
- SHELL : STAIN NICKEL 80u"~100u" ON OVER ALL

3. ELECTRICAL SPECIFICATION :

- Rated current : 2A
- Rated Voltage : 30V
- Water proof: IPX7

4. Environmental :

- Operation Temperature : -40°~+85°



DRAWN	Yeh Chou	APPEND	Emily Suen	UNIT	mm	TOLERANCE			TITLE	WATERPROOF M12*1.0 (M) 90度板端			SHEET	
CHK'D	Emily Suen			SCALE	1:1	.x ±0.20 .xx ±0.10 .xxx ±0.05 .xxxx ±0.03 ANGULA ±1°			PART NO.	SEE TABLE A	DWG NO.	QC6533	VERSION	

广东科斯达电子科技有限公司
GUANG DONG KE SI DA ELECTRONIC TECHNOLOGY CO., LTD.