

CUSTOMER DRAWING

| REV. | DESCRIPTION | APPROVED BY | DATE | ECN NO. |
|------|-------------|-------------|-----------|---------|
| △A | RELEASE | Fido Weng | 23/03/17' | |
| △B | ADD P/N | KU CHOU | 22/01/21' | |
| △C | | | | |

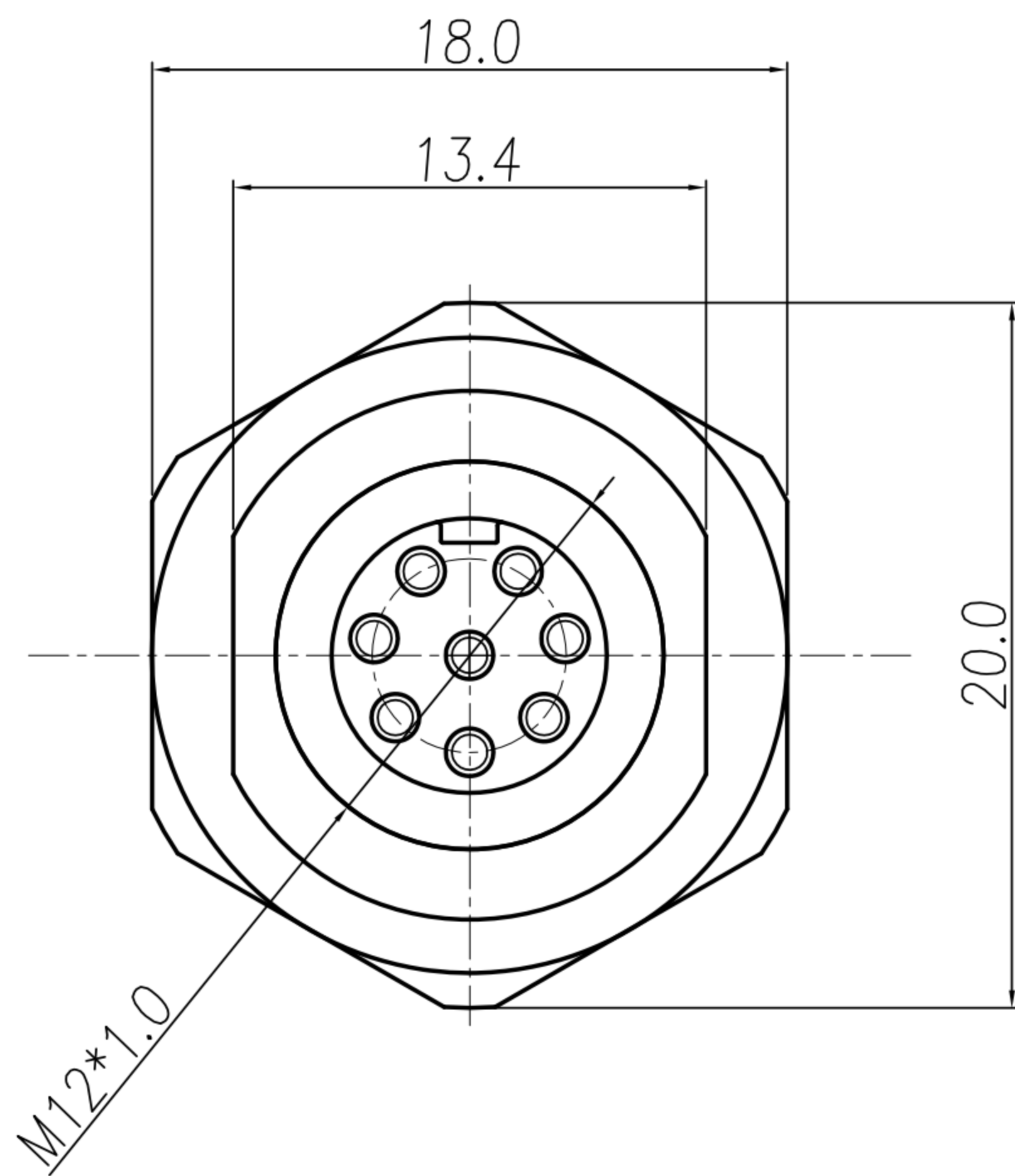
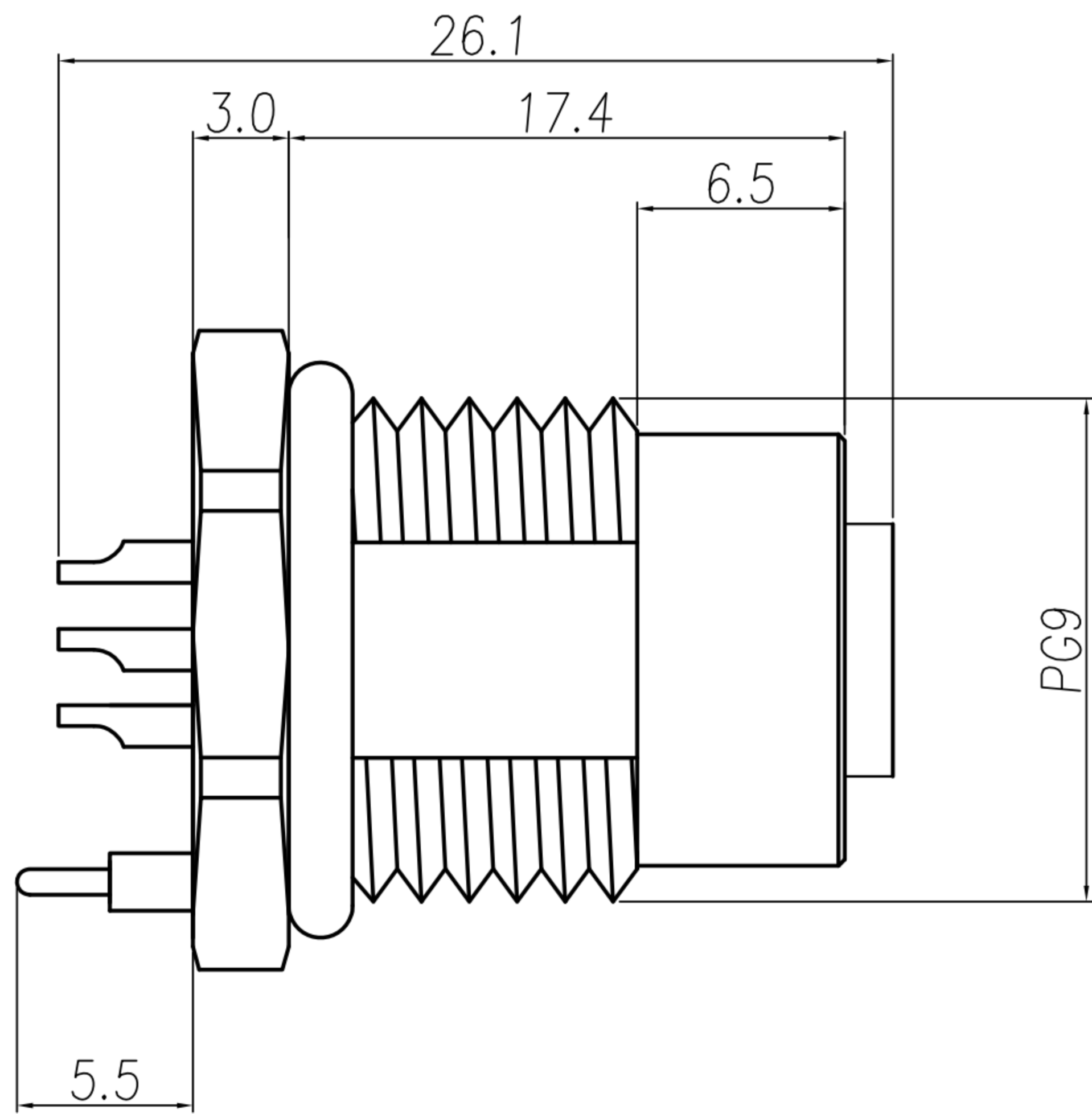
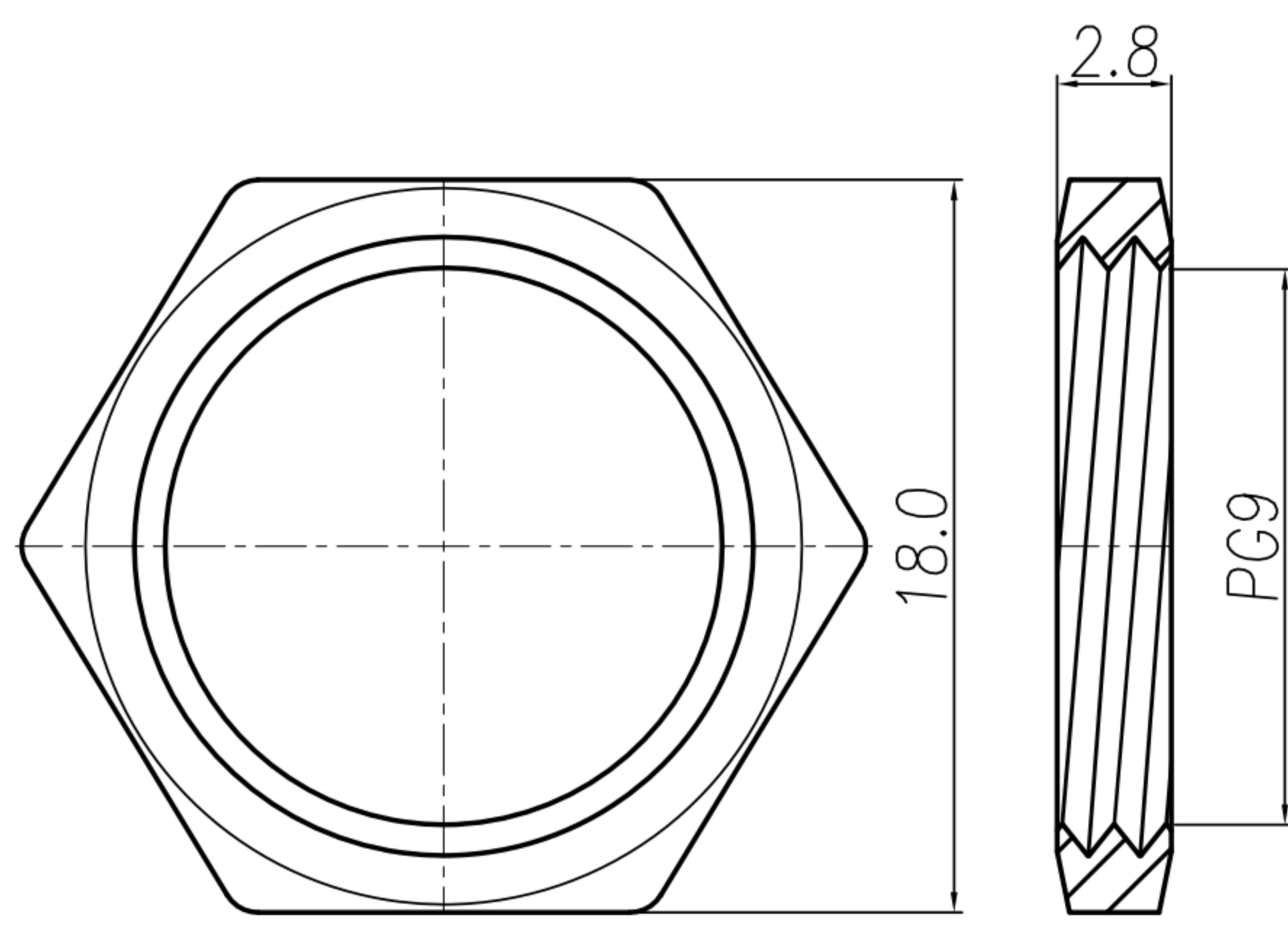


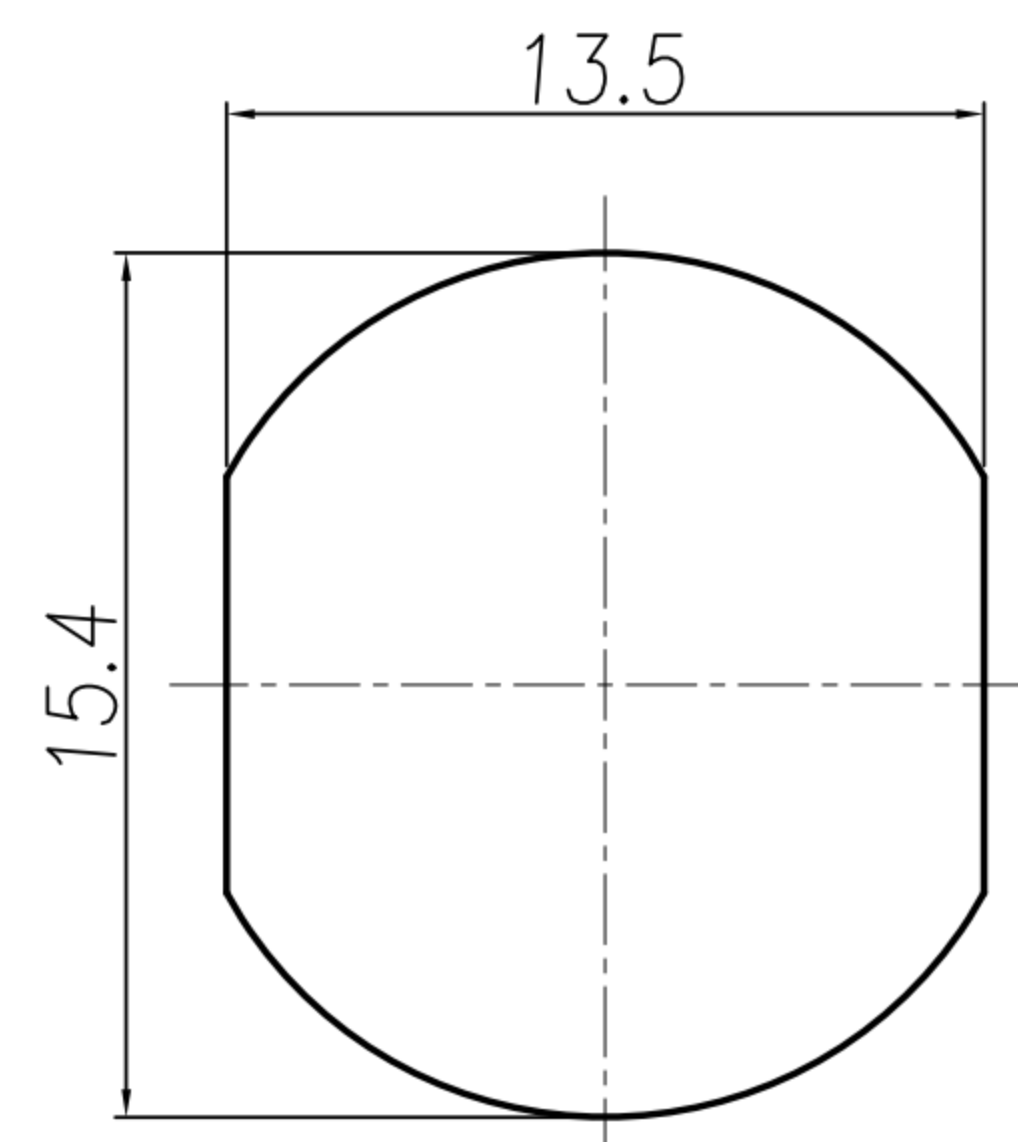
TABLE A ^{△B}

| | |
|---------------|---------------|
| | |
| WP-06F2-79-11 | WP-06F2-80-11 |
| | |
| WP-08F2-82-11 | WP-07F2-18-11 |

Pin Assignments
Front View



NUT



RECOMMEND PANEL CUT-OUT

- MATERIAL :**
 - 1-1. HOUSING : PBT UL94V-0 ; COLOR : BLACK
 - 1-2. CONTACT : BRASS
 - 1-3. NUT : BRASS
 - 1-4. SHELL : BRASS
 - 1-5. O-RING : EPDM ; COLOR : BLACK(13*2).
- FINISH :**
 - 2-1. CONTACT : 10 MICRO INCHES MIN. GOLD PLATED
UNDER PLATE : NICKEL
 - 2-2. NUT : NICKEL PLATED
 - 2-3. SHELL : NICKEL PLATED
- ELECTRICAL SPECIFICATION :**
 - 3-1. Rated current : 2A
 - 3-2. Rated Voltage : 30V
 - 3-3. Water proof : IPX7
- Environmental :**
 - 4-1. Operation Temperature : -40℃~85℃

| | | | | | | | | | | | | | |
|-------|------------|-------|---------|-------|-----|--|--|----------|---|---------|--------|---------|-----|
| DRAWN | EMILY SUEN | APP'D | KU CHOU | UNIT | mm | TOLERANCE | | TITLE | 防水 M12 8PIN A-code (F) 鍍銀Pg9屏線式(無潤滑+接地) | | | SHEET | 1/1 |
| CHK'D | KU CHOU | | | SCALE | 1:1 | .x ±0.20 .xx ±0.10 .xxx ±0.05 .xxxx ±0.03 ANGULA ±1° | | PART NO. | SEE TABLE A | DWG NO. | QC7771 | VERSION | B |

广东科斯达电子科技有限公司
GUANG DONG KE SI DA ELECTRONIC TECHNOLOGY CO., LTD.