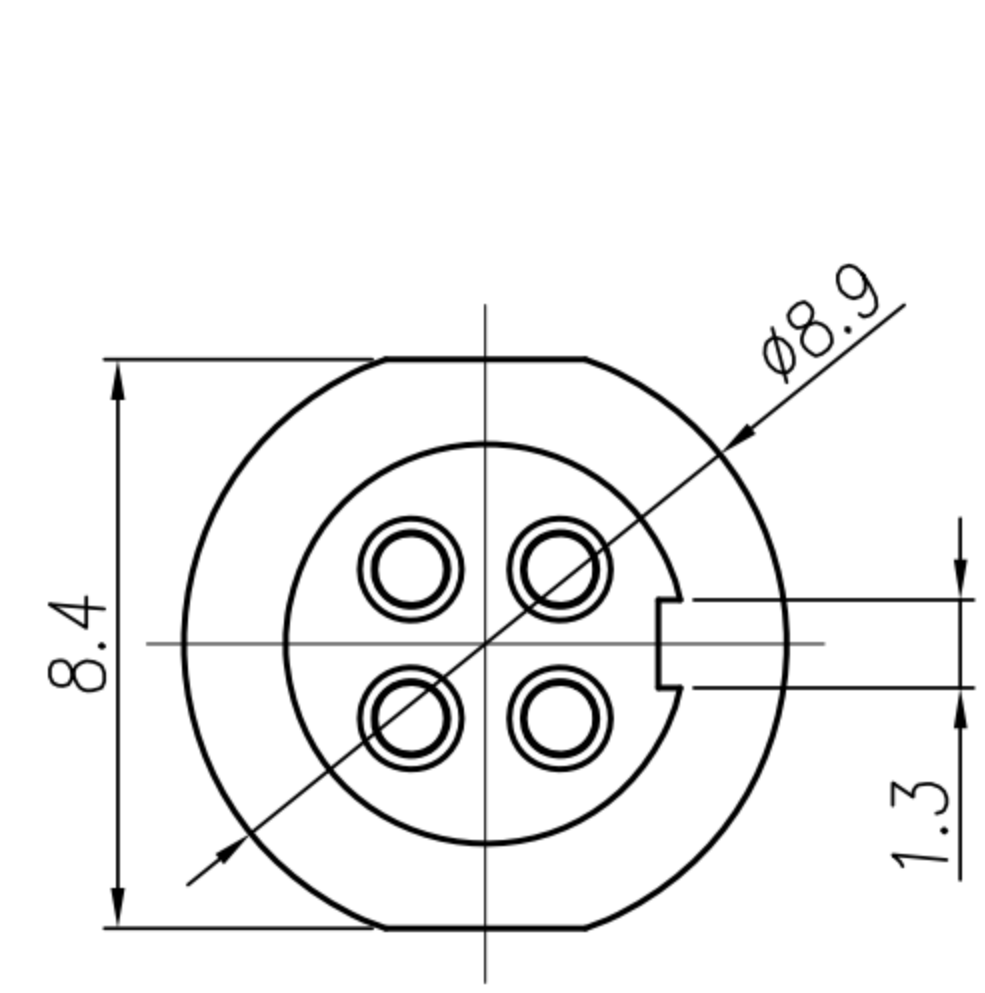
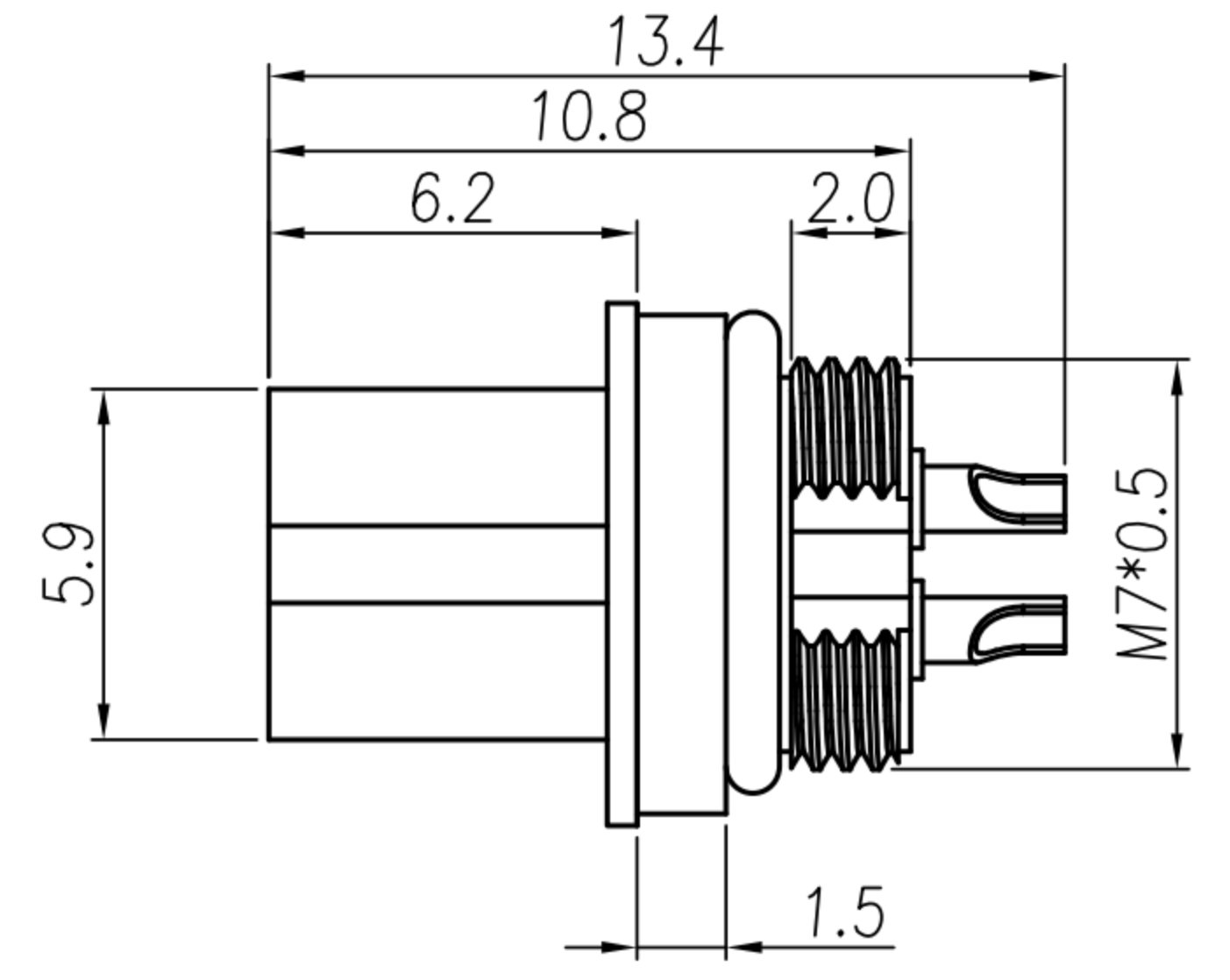


CUSTOMER DRAWING

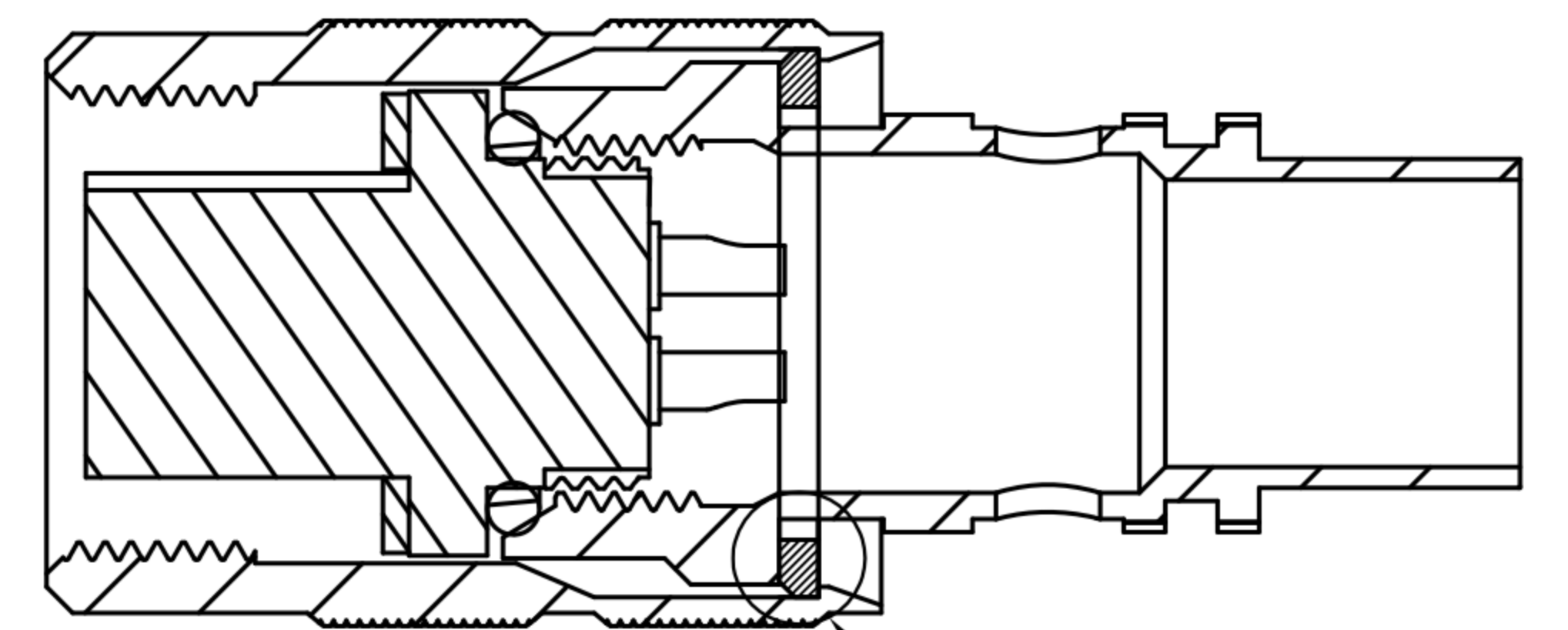
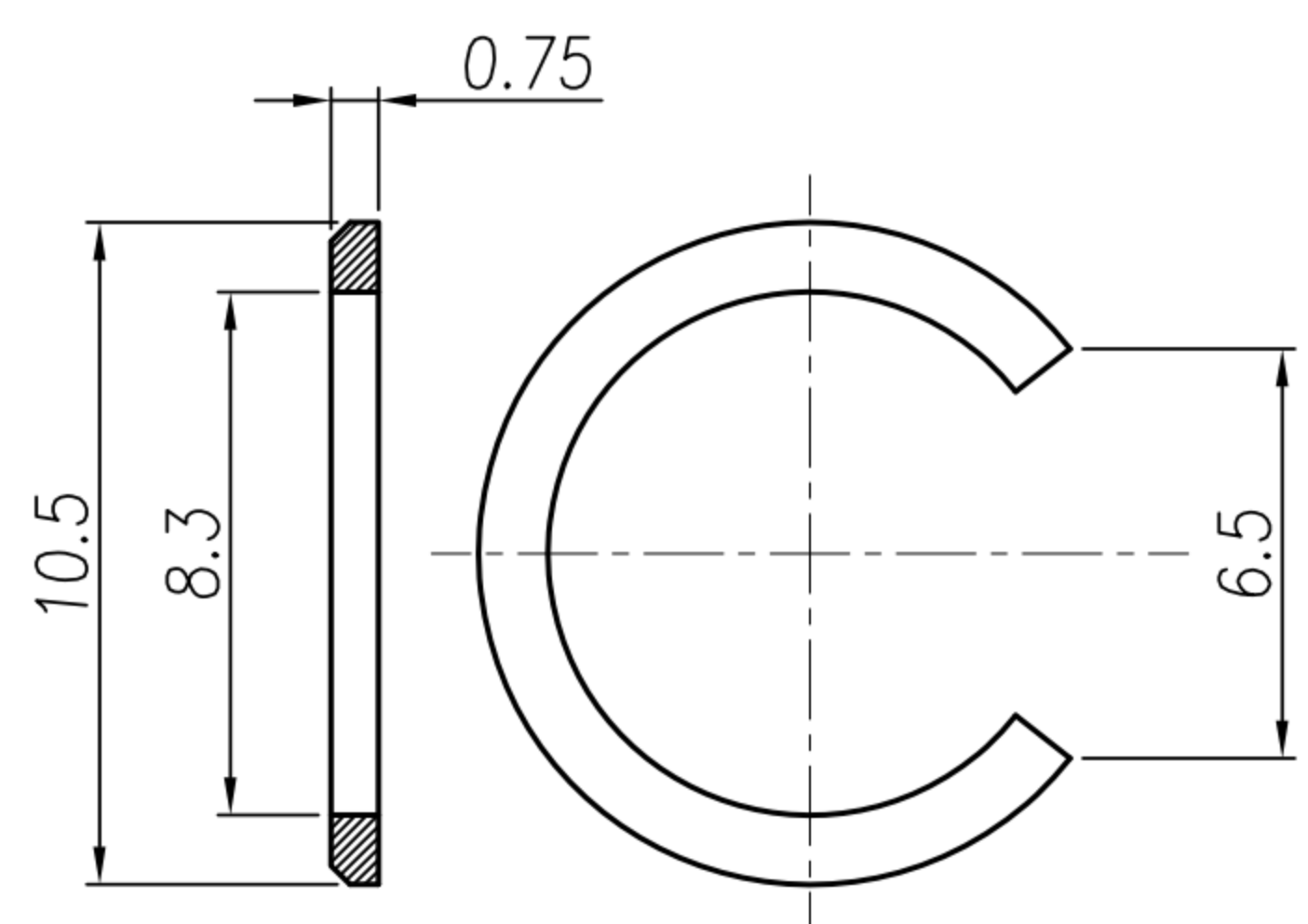
| REV. | DESCRIPTION | APPROVED BY | DATE      | ECN NO. |
|------|-------------|-------------|-----------|---------|
| A    | RELEASE     | LEO         | 11/11/21* |         |
| B    |             |             |           |         |
| C    |             |             |           |         |
| D    |             |             |           |         |



HOUSING & CONTACT & O-RING

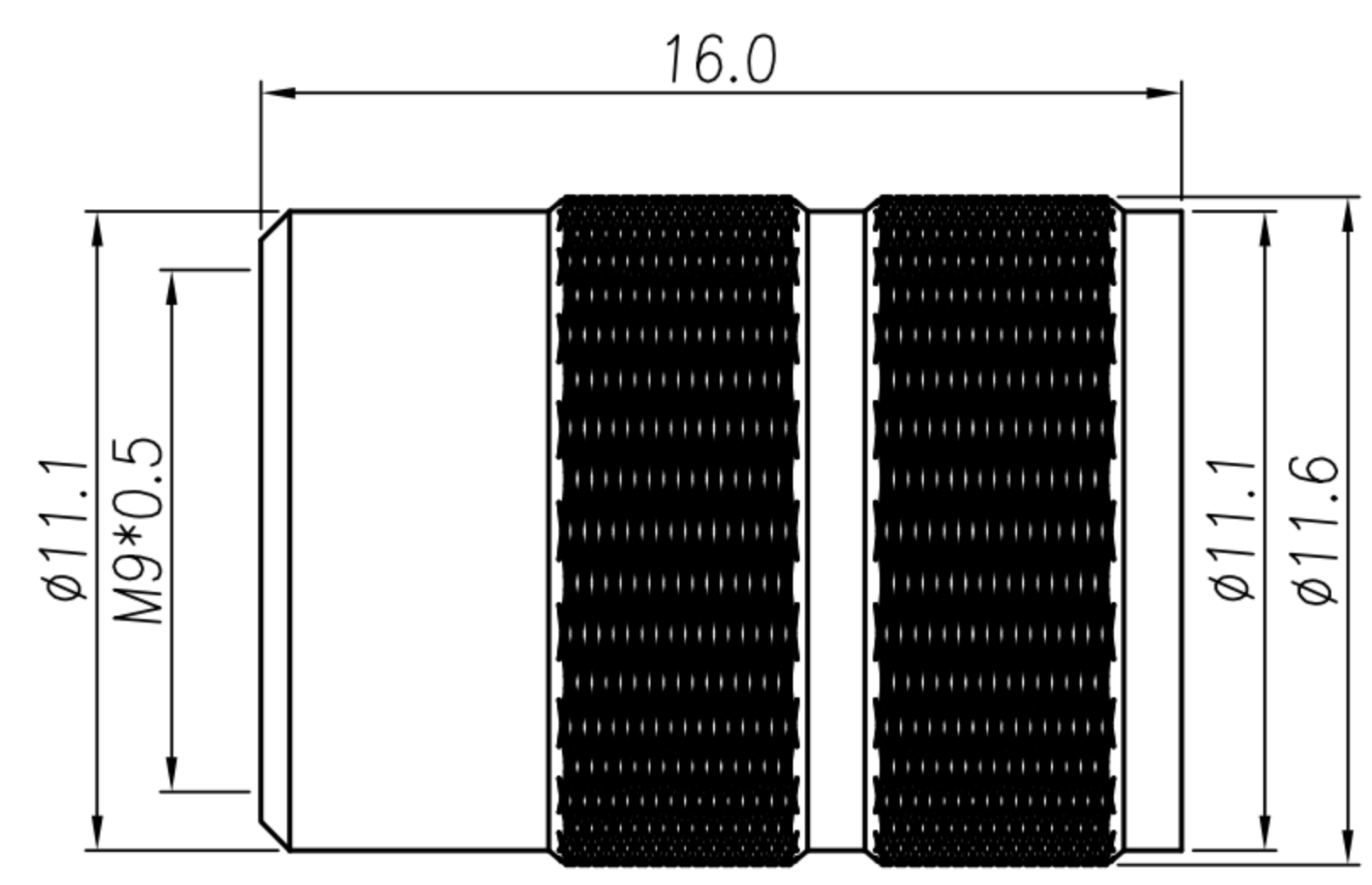


SPRING

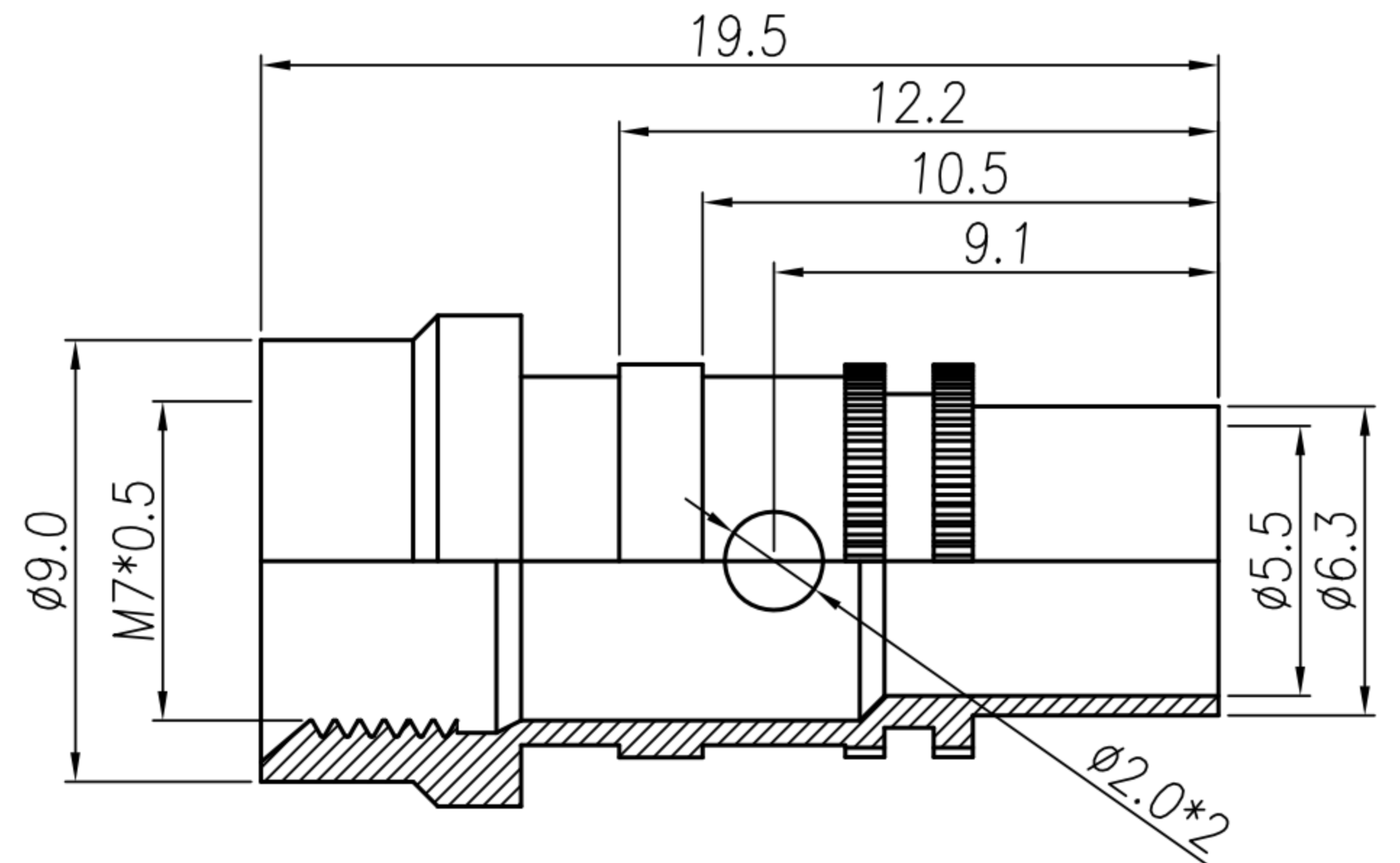


ASS'Y

將不鏽鋼環穿入到這個位置  
(倒角朝對插口面)



NUT



SHELL

- MATERIAL :
  - 1-1. HOUSING : PA66 UL94V-0 ; COLOR : BLACK
  - 1-2. CONTACT : BRASS.
  - 1-3. NUT : BRASS.
  - 1-4. O-RING A : EPDM ; COLOR : BLACK.
  - 1-5. O-RING B : SILICONE ; COLOR : BLACK.
  - 1-6. SPRING : STAINLESS STEEL.
  - 1-7. SHELL : BRASS.
- FINISH :
  - 2-1. CONTACT : GOLD FLASH
  - 2-2. NUT : NICKEL PLATED OVER ALL
  - 2-3. SHELL : NICKEL PLATED OVER ALL
- ELECTRICAL SPECIFICATION :
  - 3-1. Rated current(40°C) : 2~3P 4A; 4~5P 3A; 7~8P 1A
  - 3-2. Rated voltage : 125V
  - 3-3. Water proof : IP67
- Environmental :
  - 4-1. Operation Temperature : -25°C~70°C

|                |                |                |                |               |                |
|----------------|----------------|----------------|----------------|---------------|----------------|
|                |                |                |                |               |                |
| WP-02F2-104-11 | WP-03F2-171-11 | WP-04F2-283-11 | WP-05F2-217-11 | WP-07F2-22-11 | WP-08F2-134-11 |

|       |            |        |            |       |     |           |  |  |          |                     |         |         |         |  |
|-------|------------|--------|------------|-------|-----|-----------|--|--|----------|---------------------|---------|---------|---------|--|
| DRAWN | LEO        | APPEND | Emily Suen | UNIT  | mm  | TOLERANCE |  |  | TITLE    | M9 (F) 線端成型式 (接地銅管) |         |         | SHEET   |  |
| CHK'D | Emily Suen |        |            | SCALE | 1:1 |           |  |  | PART NO. | SEE TABLE A         | DWG NO. | QC10288 | VERSION |  |