

CUSTOMER DRAWING

REV.	DESCRIPTION	APPROVED BY	DATE	ECN NO.
△A	RELEASE	Fido Weng		
△B				
△C				

ASSEMBLY INSTRUCTION

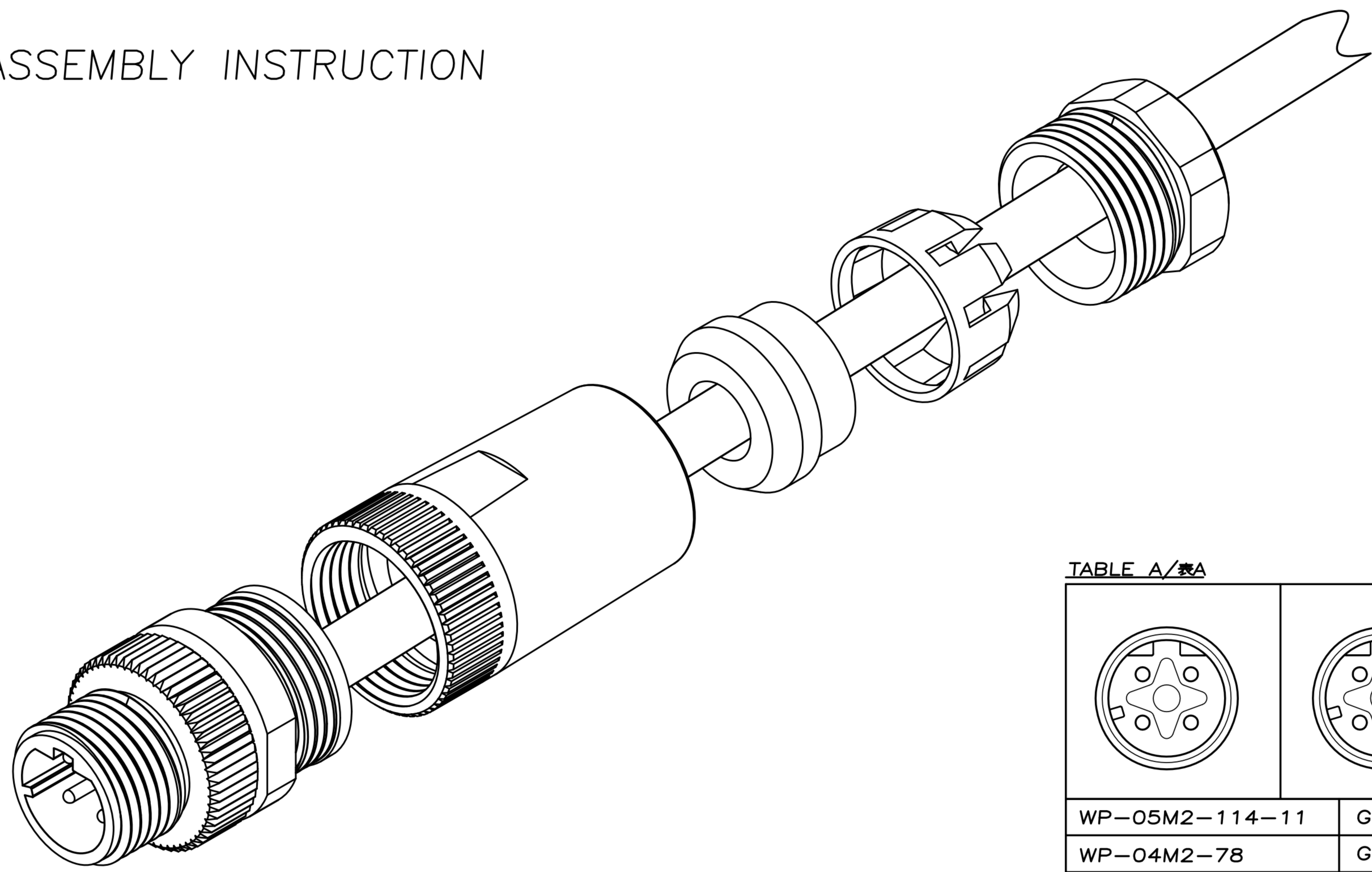


TABLE A/表A

WP-05M2-114-11	GOLD FLASH
WP-04M2-78	GOLD FLASH
WP-04M2-137-11	GOLD 10u"
PART NO	FINISH

DRAWN	Mark Kao	APP'D	Ku Chou	UNIT	mm	TOLERANCE		广东科斯达电子科技有限公司 GUANG DONG KE SI DA ELECTRONIC TECHNOLOGY CO., LTD.	TITLE	M12 4PIN(M) D-coded Assembly type			SHEET	2
CHK'D	Emily Suen			SCALE	1:1	.x ±0.20 .xx ±0.10 .xxx ±0.05 .xxxx ±0.03 ANGULA ±1°			PART NO.	SEE TABLE A	DWG NO.	QC5980	VERSION	A

CUSTOMER DRAWING

REV.	DESCRIPTION	APPROVED BY	DATE	ECN NO.
A	RELEASE	Fido Weng		
B				
C				

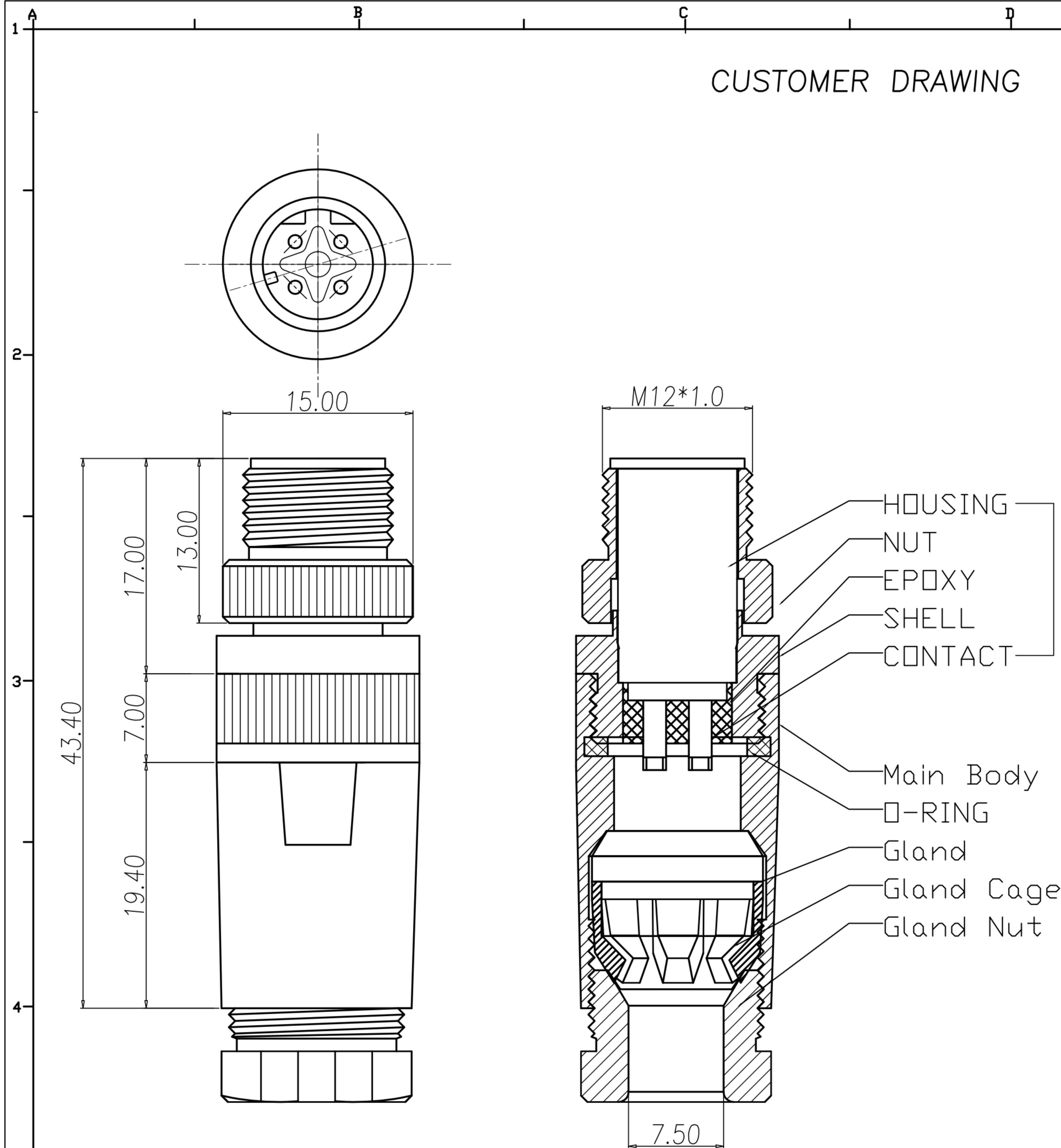


TABLE A/表A

WP-05M2-114-11	GOLD FLASH
WP-04M2-78	GOLD FLASH
WP-04M2-137-11	GOLD 10u"
PART NO	FINISH

1. MATERIAL :
 - 1-1. NY-WP494 :
 - a. HOUSING : PBT UL94V-0 ; COLOR : BLACK.
 - b. CONTACT : BRASS
 - c. NUT : ALUMINUM ALLOY
 - d. SHELL : ALUMINUM ALLOY
 - 1-2. Main Body : ALUMINUM ALLOY
 - 1-3. Gland : SILICONE COLOR : BLACK.
 - 1-4. Gland Cage : POM ; COLOR : BLACK.
 - 1-5. Gland Nut : ALUMINUM ALLOY.
 - 1-6. O-Ring : SILICONE COLOR : BLACK.
2. FINISH :
 - 2-1. NY-WPXXX :
 - a. CONTACT : SEE TABLE A
UNDER PLATE : NICKEL.
 - b. NUT : SATIN Ni PLATED.
 - c. SHELL : SATIN Ni PLATED.
 - 2-2. Main Body : SATIN Ni PLATED.
 - 2-3. Gland Nut : SATIN Ni PLATED.
3. ELECTRICAL SPECIFICATION :
 - 3-1. Rated current : 4A
 - 3-2. Rated Voltage : 4PIN 250V ; 5PIN 60V
 - 3-3. Water proof : IPX7
4. Environmental :
 - 4-1. Operation Temperature : -20 ℃~85℃

DRAWN	Mark Kao	APP'D	Ku Chou	UNIT	mm	TOLERANCE		广东科斯达电子科技有限公司 GUANG DONG KE SI DA ELECTRONIC TECHNOLOGY CO., LTD.	TITLE	M12 4PIN(M) D-coded Assembly type			SHEET	1/2
CHK'D	Emily Suen			SCALE	1:1	.x ±0.20 .xx ±0.10 .xxx ±0.05 .xxxx ±0.03 ANGULA ±1°			PART NO.	SEE TABLE A	DWG NO.	QC5980	VERSION	A