

CUSTOMER DRAWING

REV.	DESCRIPTION	APPROVED BY	DATE	ECN NO.
△A	RELEASE	Ku Chou	26/03/20*	
△B				
△C				

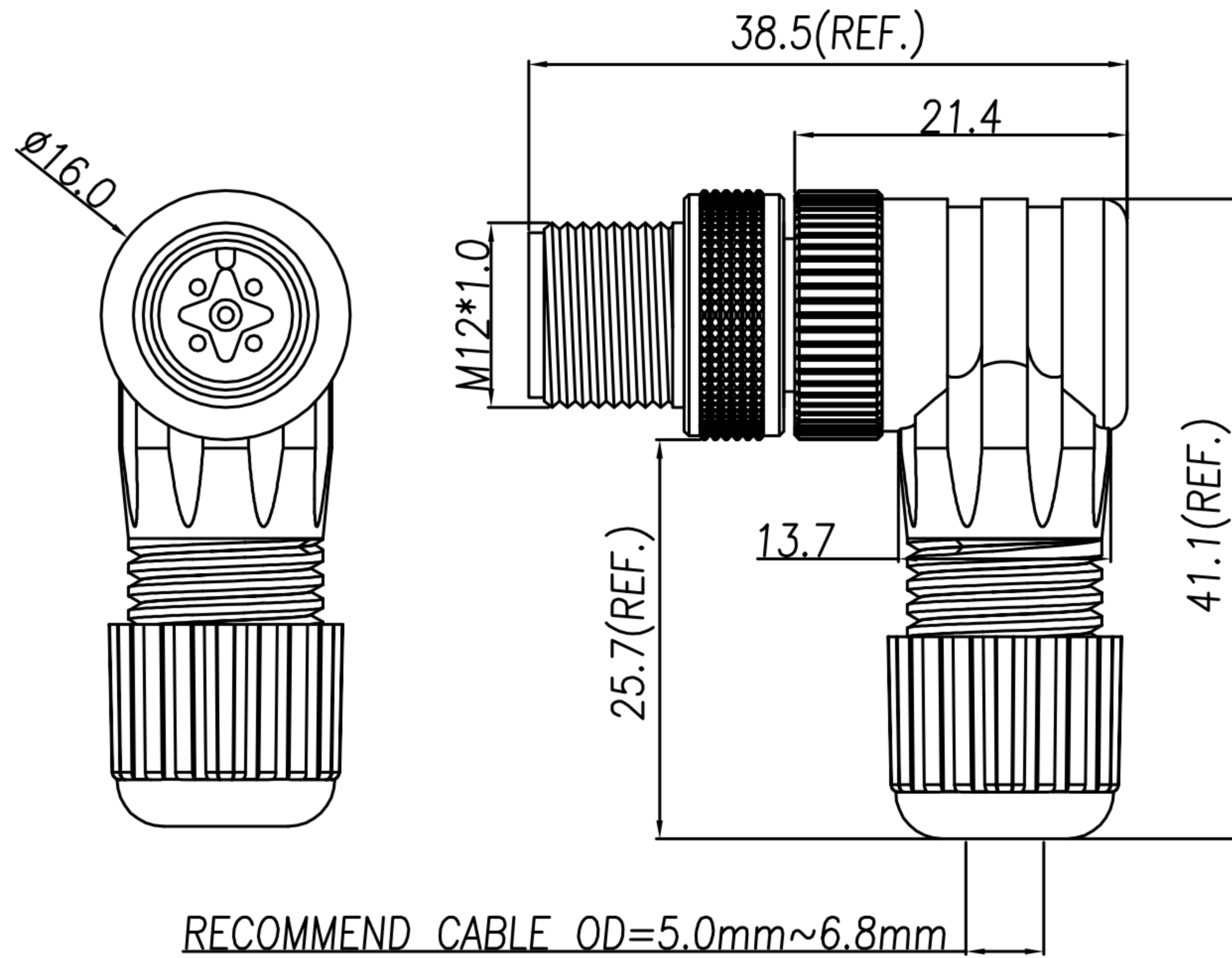
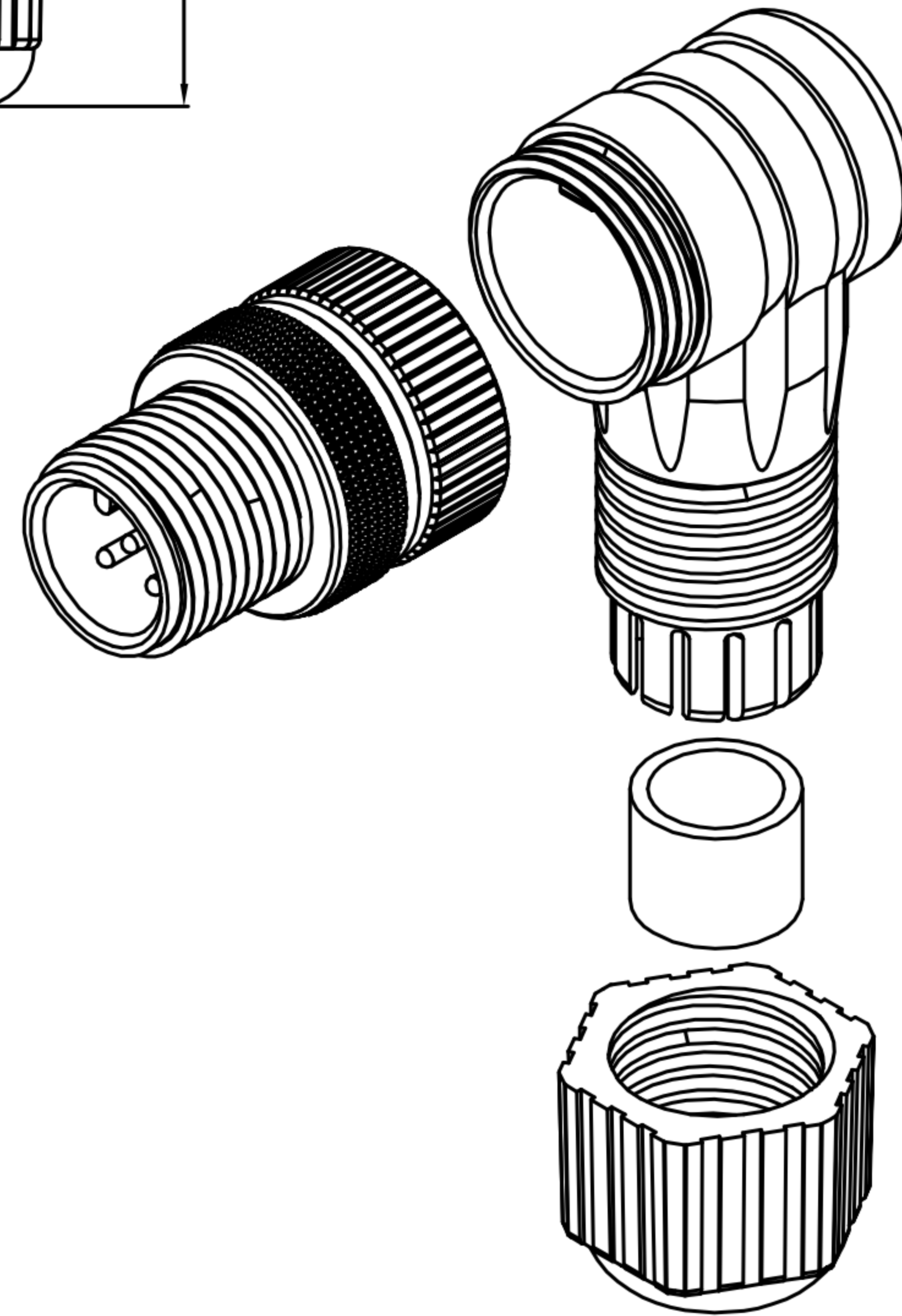


TABLE A

0° 5PIN WP-05M2-161-11	45° WP-05M2-162-11	90° WP-05M2-163-11	135° WP-05M2-164-11	180° WP-05M2-165-11
0° 4PIN WP-04M2-210-11	45° WP-04M2-211-11	90° WP-04M2-212-11	135° WP-04M2-213-11	180° WP-04M2-214-11
0° 3PIN WP-03M2-120-11	45° WP-03M2-121-11	90° WP-03M2-122-11	135° WP-03M2-123-11	180° WP-03M2-124-11
0° 2PIN WP-02M2-70-11	45° WP-02M2-71-11	90° WP-02M2-72-11	135° WP-02M2-73-11	180° WP-02M2-74-11



1. MATERIAL :
  - 1-1. HOUSING : PA66 ; COLOR : BLACK.
  - 1-2. CONTACT : BRASS
  - 1-3. SHELL : BRASS
  - 1-4. NUT : BRASS
  - 1-5. O-RING : SILICONE
  - 1-6. CLAMP RING : PA66
  - 1-7. SEAL : SILICONE
  - 1-8. SEALING NUT : PA66
2. FINISH :
  - 2-1. CONTACT : GOLD 10U" MICRO INCHES MIN.
  - 2-2. NUT : NICKEL PLATED.
  - 2-3. SHELL : NICKEL PLATED.
3. ELECTRICAL SPECIFICATION :
  - 3-1. Rated current : 4A
  - 3-2. Rated voltage : 2~4PIN 250V ; 5PIN 60V
  - 3-3. Water proof : IP67
4. Environmental :
  - 4-1. Operation Temperature : -40℃~105℃

DRAWN	Mark Kao	APP'D	Ku Chou	UNIT	mm	TOLERANCE			广东科斯达电子科技有限公司 GUANG DONG KE SI DA ELECTRONIC TECHNOLOGY CO., LTD.	TITLE	M12 (M) A-coded 90° Assembly type(塑膠本體)防呆轉向xx'			SHEET	1
CHK'D	Ku Chou			SCALE	1:1					PART NO.	SEE TABLE A	DWG NO.	QC9681	VERSION	A