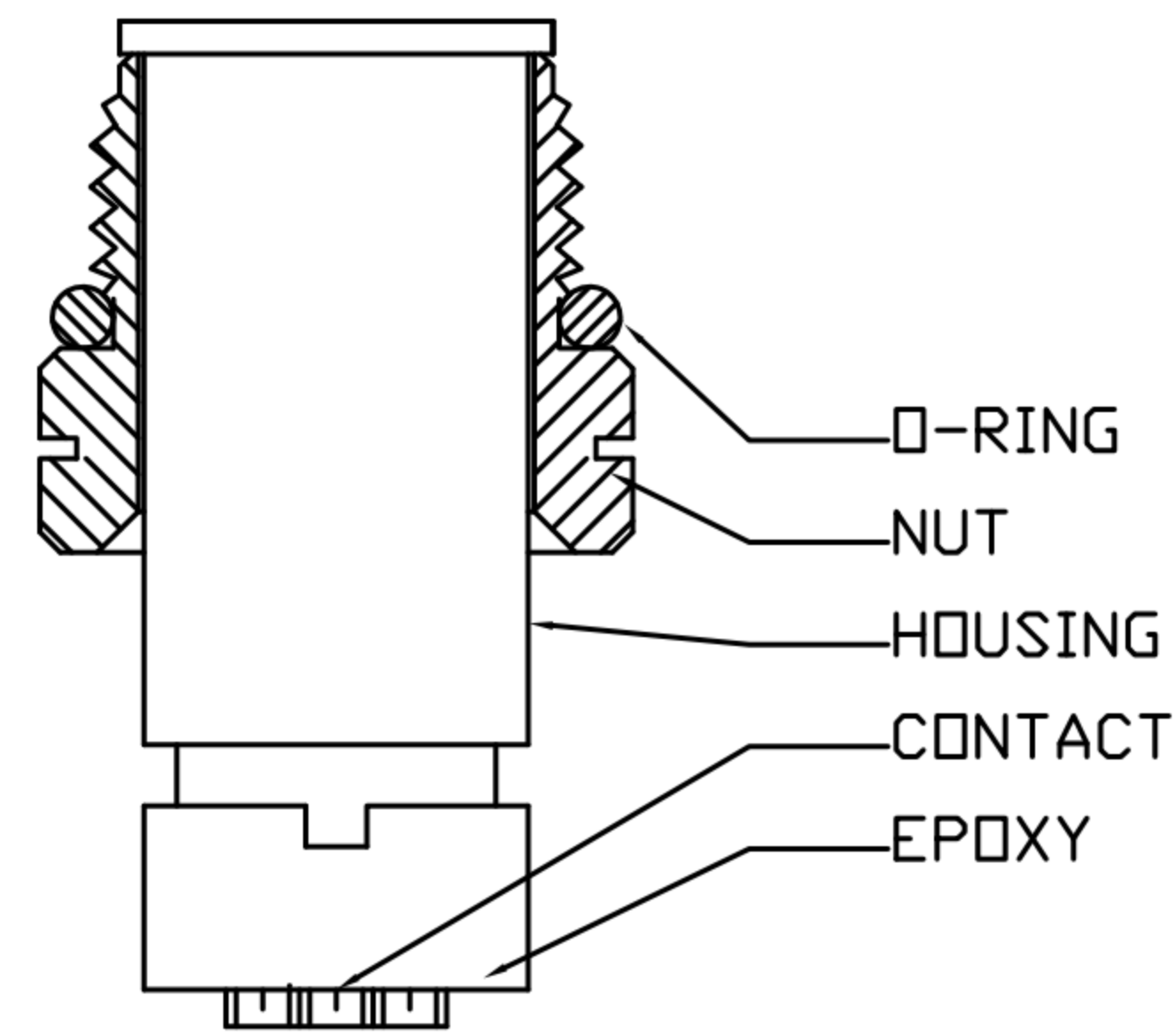
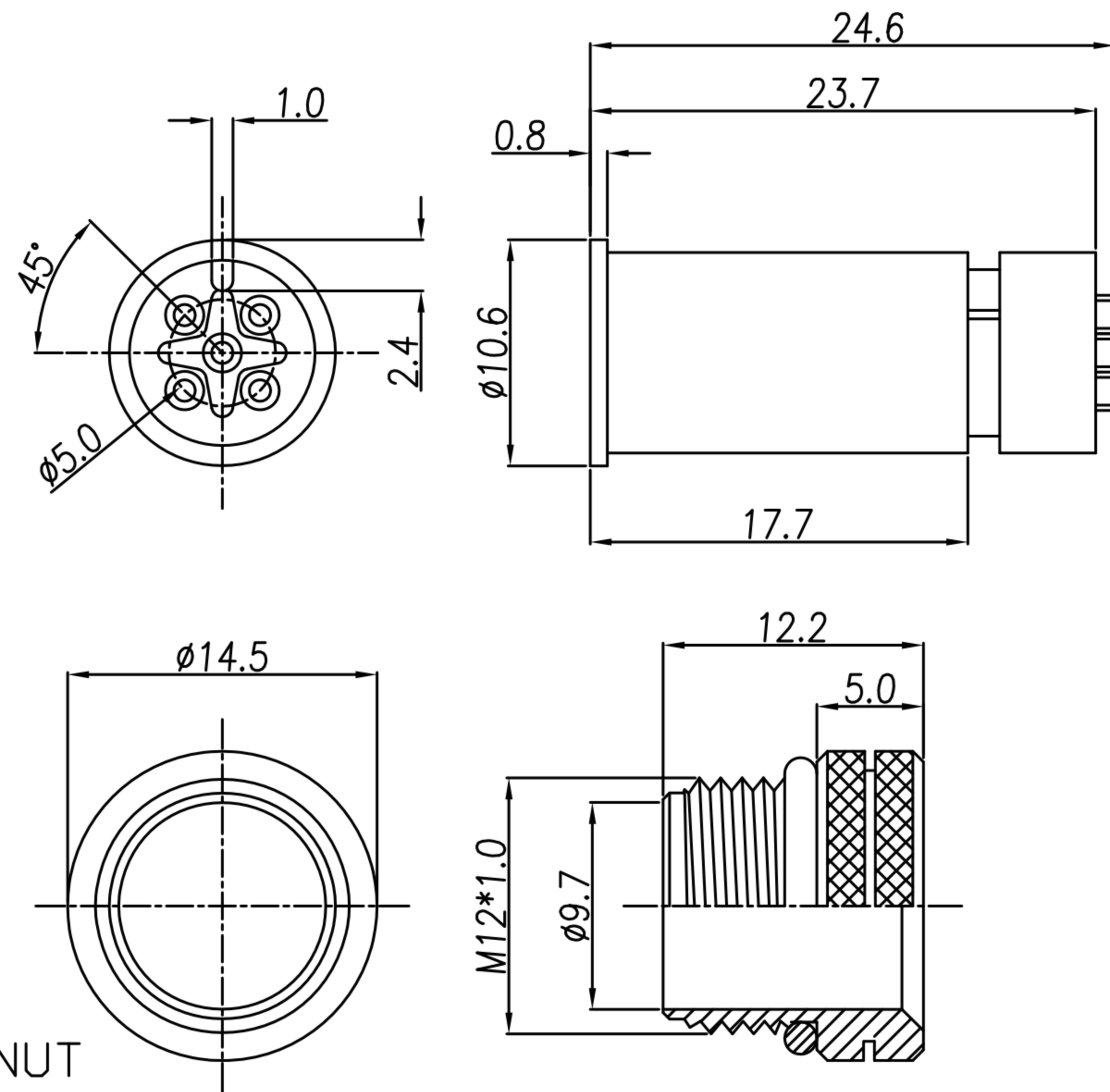


CUSTOMER DRAWING

| REV. | DESCRIPTION | APPVL. BY | DATE | ECN NO. |
|------|-------------|-----------|-----------|-----------|
| △ | Del Table A | Fido Weng | 20/03/09* | ECN-09032 |
| △ | ADD P/N | Fido Weng | 12/02/14* | |
| △ | 更改油封材質 | KU | 26/06/18* | |



ASS'Y

TABLE A

| | |
|---|---|
| | |
| 5PIN | 4PIN |
| WP-05M2-103-11 WPM12-05M2-01-11 WPM12-05M2-02 WP-05M2-60 WP-05M2-230-11 | WP-04M2-121-11 WP-04M2-15 WPM12-04M2-02 WP-04M2-249-11 WP-04M2-269-11 |
| | |
| 3PIN | 3PIN |
| WP-03M2-64-11 WPM12-03M2-02 WP-03M2-127-11 | WP-03M2-25 WP-03M2-65-11 WP-03M2-131-11 |
| | |
| 2PIN | 2PIN |
| WP-02M2-02 | WP-02M2-35-11 |

1. MATERIAL :
 - 1-1. HOUSING : SEE TABLE A UL94V-0 ; COLOR : BLACK.
 - 1-2. CONTACT : BRASS
 - 1-3. NUT : SEE TABLE A
 - 1-4. O-RING : SEE TABLE A ; COLOR : SEE TABLE A
2. FINISH :
 - 2-1. CONTACT : SEE TABLE A
 - 2-2. NUT : SEE TABLE A
3. ELECTRICAL SPECIFICATION :
 - 3-1. Rated current : 4A
 - 3-2. Rated voltage : 2~4PIN 250V ; 5PIN 60V
 - 3-3. Water proof : IP67
4. Environmental :
 - 4-1. Operation Temperature : -40℃~85℃

| | | | | | |
|------------------|----------|---------------------|---------------|-------------------|-----------------|
| WP-04M2-269-11 | NYLON 66 | BRASS | NICKEL PLATED | 10u" GOLD PLATED | EPDM(BLACK) |
| WP-05M2-230-11 | NYLON 66 | BRASS | NICKEL PLATED | 10u" GOLD PLATED | EPDM(BLACK) |
| WP-04M2-249-11 | PBT | STAINLESS STEEL 316 | PASSIVATION | 10u" GOLD PLATED | EPDM(BLACK) |
| WP-03M2-131-11 | PBT | STAINLESS STEEL 316 | PASSIVATION | 10u" GOLD PLATED | EPDM(BLACK) |
| WP-03M2-127-11 | PBT | STAINLESS STEEL 316 | PASSIVATION | 10u" GOLD PLATED | EPDM(BLACK) |
| WP-02M2-93-11 | PBT | STAINLESS STEEL 316 | PASSIVATION | 10u" GOLD PLATED | EPDM(BLACK) |
| WP-05M2-103-11 | PBT | BRASS | NICKEL PLATED | GOLD FLASH PLATED | NBR(BLACK) |
| WP-05M2-60 | PBT | BRASS | NICKEL PLATED | GOLD FLASH PLATED | EPDM(BLACK) |
| WP-04M2-121-11 | PBT | BRASS | NICKEL PLATED | GOLD FLASH PLATED | EPDM(BLACK) |
| WP-03M2-64-11 | PBT | BRASS | NICKEL PLATED | GOLD FLASH PLATED | EPDM(BLACK) |
| WP-03M2-65-11 | PBT | BRASS | NICKEL PLATED | GOLD FLASH PLATED | EPDM(BLACK) |
| WPM12-05M2-01-11 | PBT | BRASS | NICKEL PLATED | 10u" GOLD PLATED | NBR(BLACK) |
| WPM12-05M2-02 | PBT | BRASS | NICKEL PLATED | 10u" GOLD PLATED | EPDM(BLACK) |
| WP-04M2-15 | PBT | BRASS | NICKEL PLATED | 10u" GOLD PLATED | SILICONE(GREEN) |
| WPM12-04M2-02 | PBT | BRASS | NICKEL PLATED | 10u" GOLD PLATED | EPDM(BLACK) |
| WPM12-03M2-02 | PBT | BRASS | NICKEL PLATED | 10u" GOLD PLATED | EPDM(BLACK) |
| WP-03M2-25 | PBT | BRASS | NICKEL PLATED | 10u" GOLD PLATED | EPDM(BLACK) |
| WP-02M2-02 | PBT | BRASS | NICKEL PLATED | 10u" GOLD PLATED | EPDM(BLACK) |
| WP-02M2-35-11 | PBT | BRASS | NICKEL PLATED | 10u" GOLD PLATED | EPDM(BLACK) |
| PART No. | HOUSING | MATERIAL(NUT) | FINISH(NUT) | FINISH(CONTACT) | O-RING(COLOR) |

| | | | | | | | | | | | | | | |
|-------|------------|-------|-----------|-------|-----|--|--|--|----------|---------------|---------|--------|---------|-----|
| DRAW | Ku Chou | APPVL | Fido Weng | UNIT | mm | TOLERANCE | | 广东科斯达电子科技有限公司 GUANG DONG KE SI DA ELECTRONIC TECHNOLOGY CO., LTD. | TITLE | 防水頭 M12 (M)線端 | | | SHEET | 1/1 |
| CHECK | Emily Suen | | | SCALE | 1:1 | .x ±0.20 .xx ±0.10 .xxx ±0.05 .xxxx ±0.03 ANGULA ±1° | | | PART NO. | SEE TABLE A | DWG NO. | QC1467 | VERSION | F |