

CUSTOMER DRAWING

REV.	DESCRIPTION	APPROVED BY	DATE	ECN NO.
A	RELEASE	LED	19/01/24*	
B				
C				

步驟一:

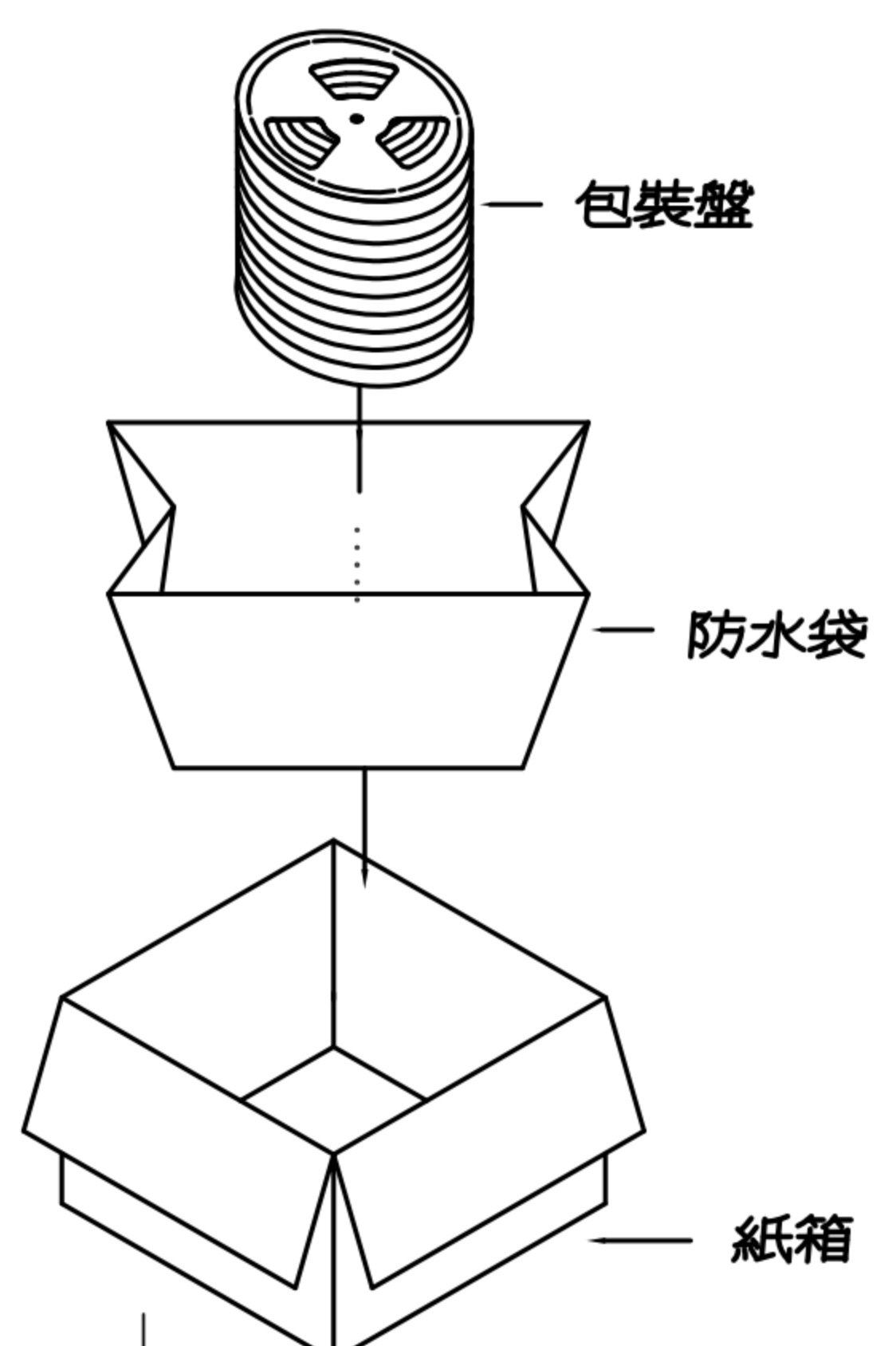
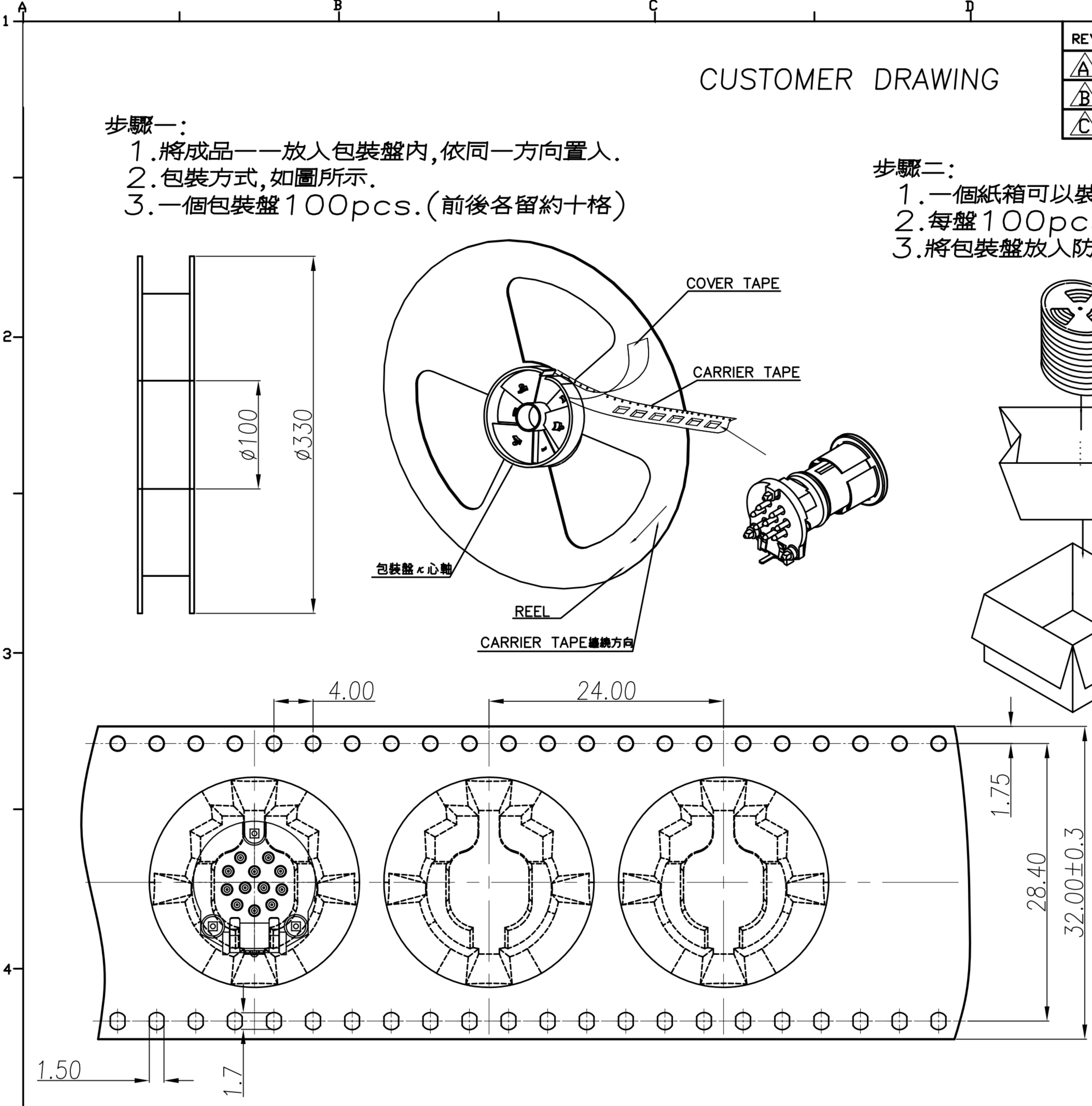
1. 將成品一一放入包裝盤內,依同一方向置入.
2. 包裝方式,如圖所示.
3. 一個包裝盤100pcs.(前後各留約十格)

步驟二:

1. 一個紙箱可以裝10個包裝盤.
2. 每盤100pcs,每箱1000pcs.
3. 將包裝盤放入防水袋中,包裝完後再封箱.

步驟三:

1. 用膠帶將紙箱封實.

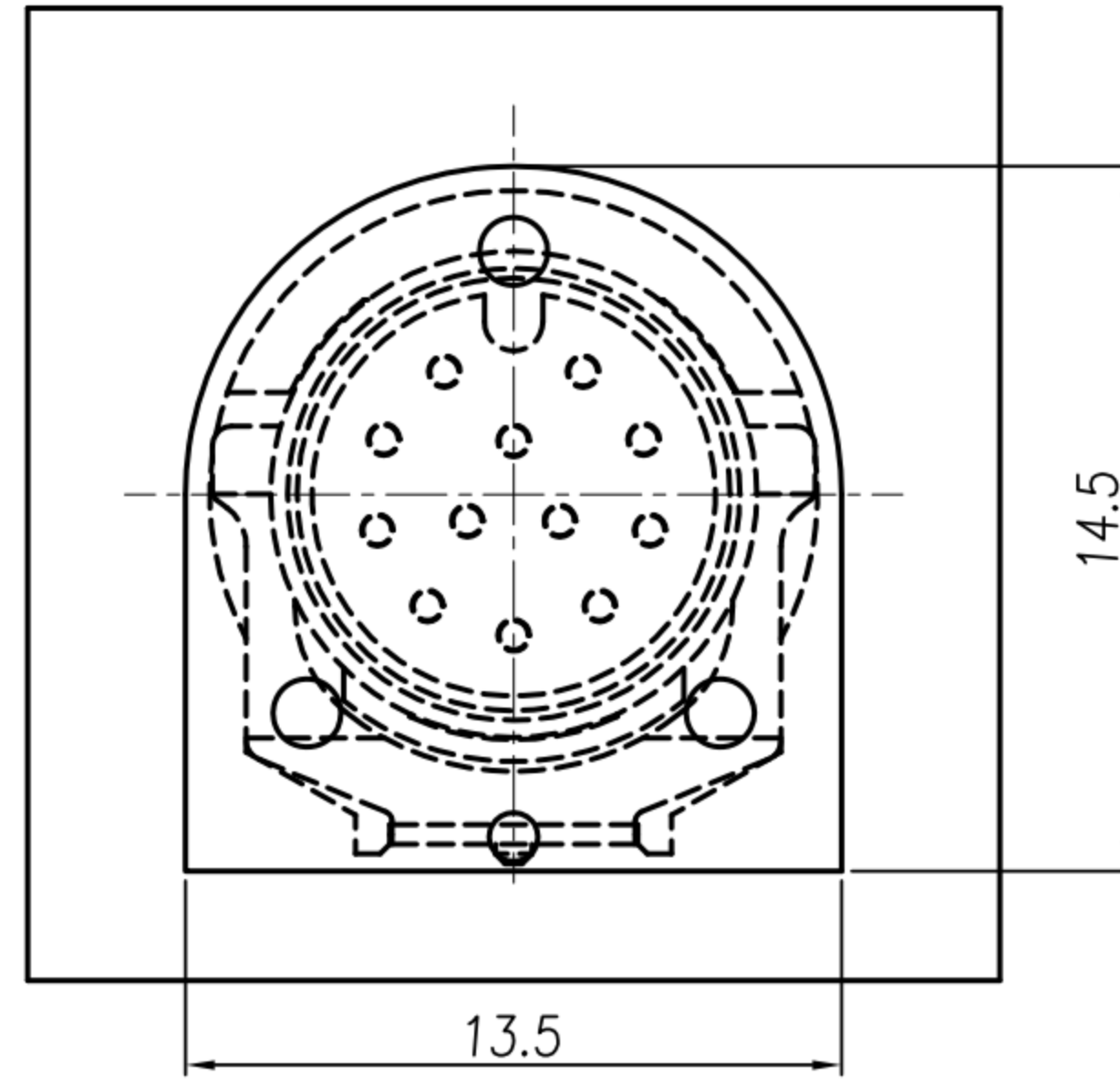
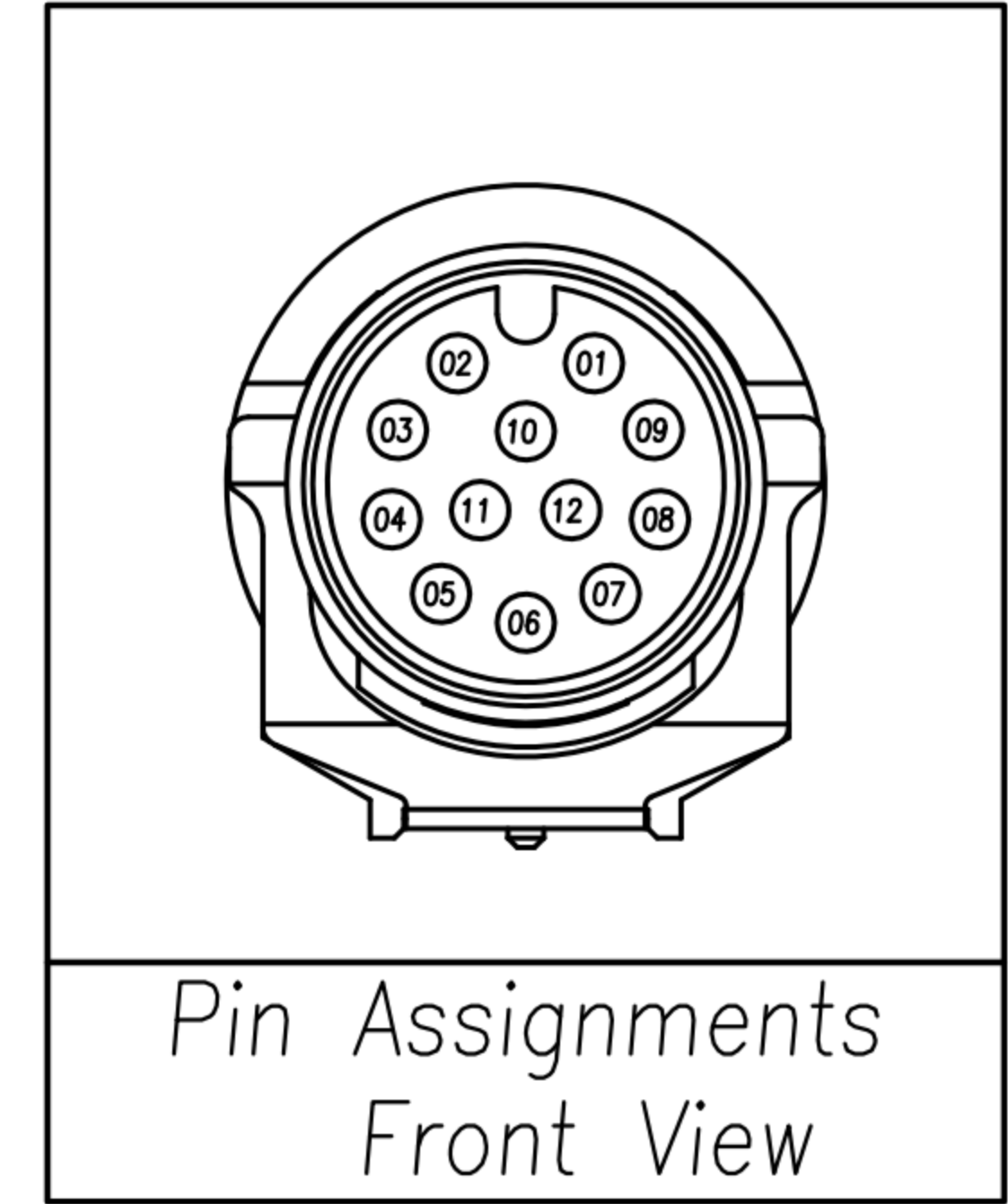
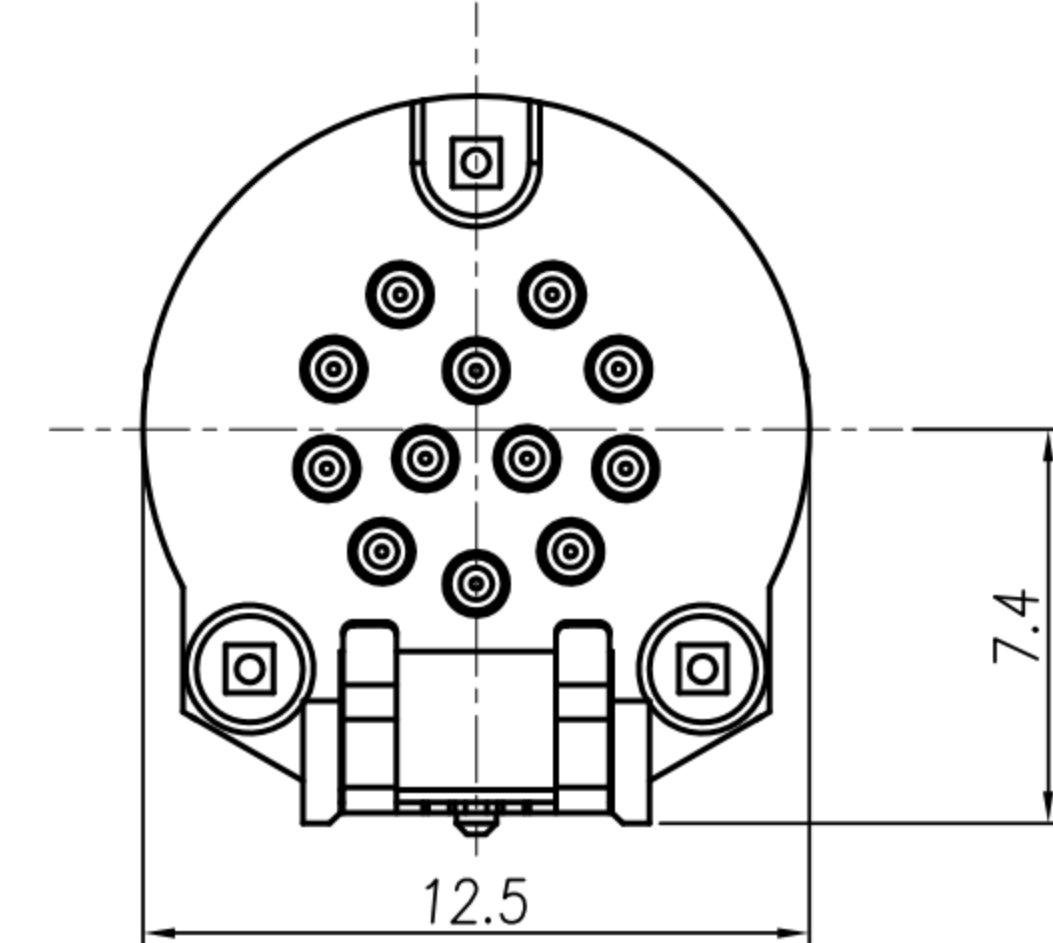
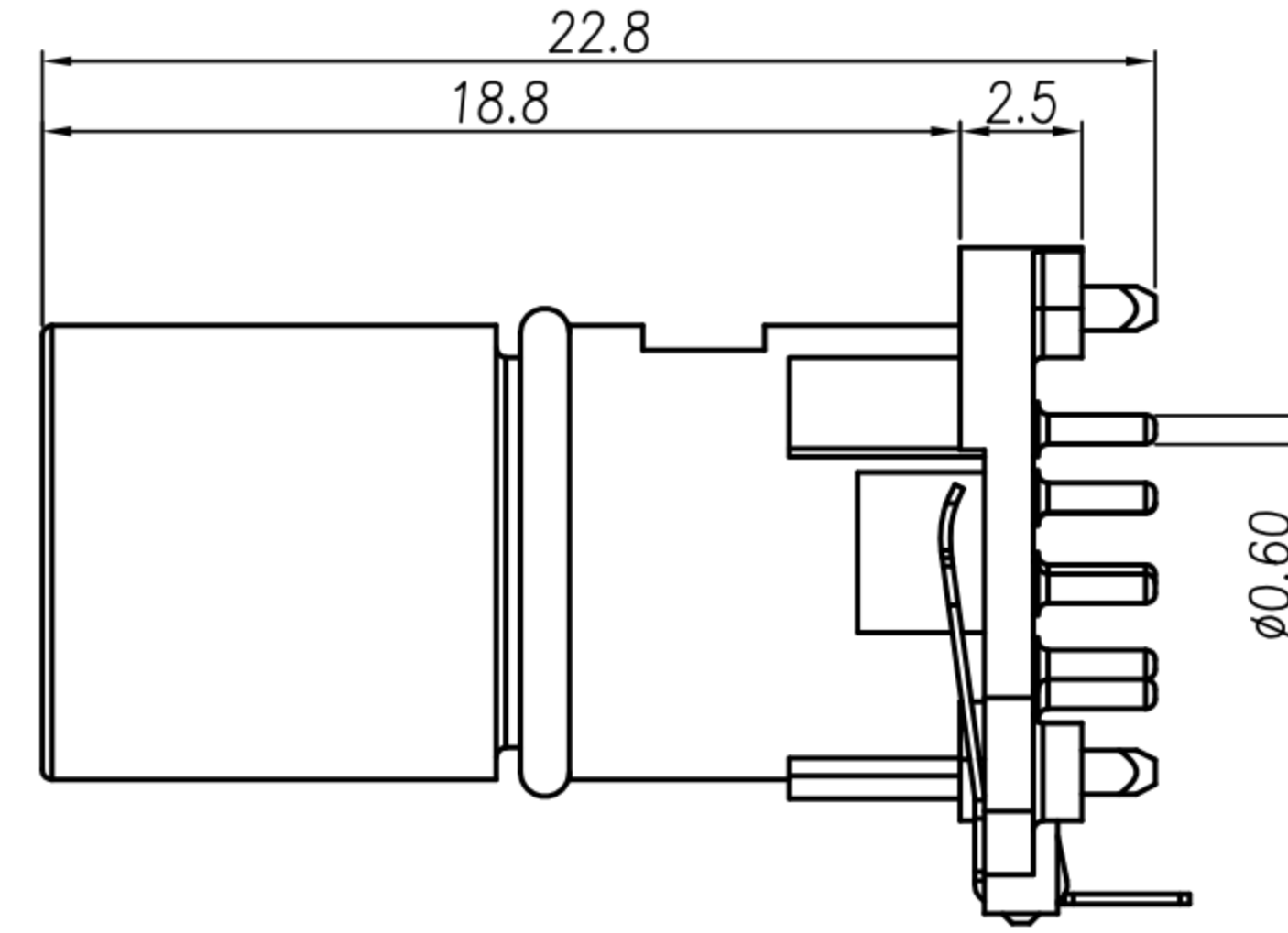
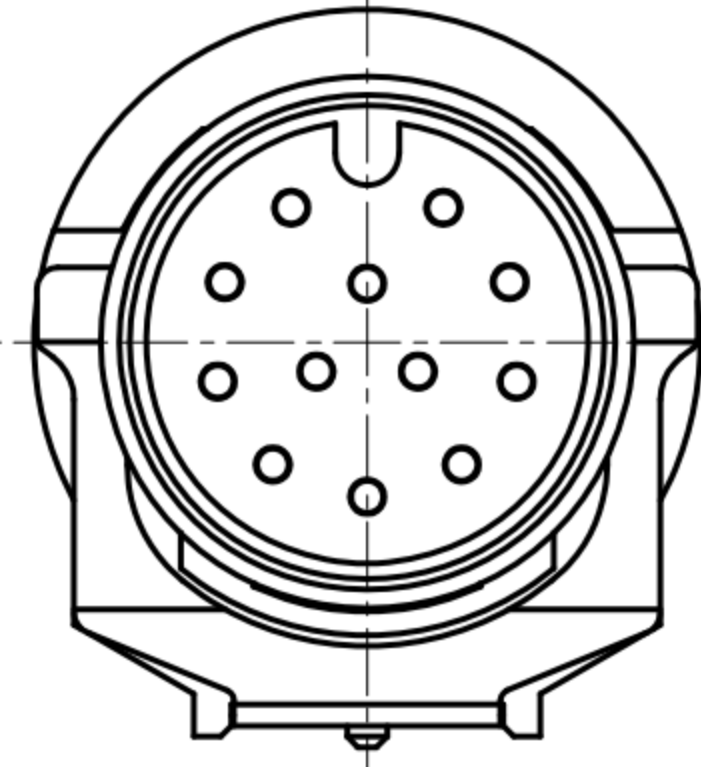


- NOTE:
1. 料帶尺寸符合(EIA-481-D)規範要求.
 2. 若有未裝滿之零數箱,必須以緩衝材塞滿.
 3. 在搬運過程中要輕拿輕放.
 4. 載運輸中不可堆放過多,不可有重壓現象.
 5. 上帶在貼下帶時必須平整.

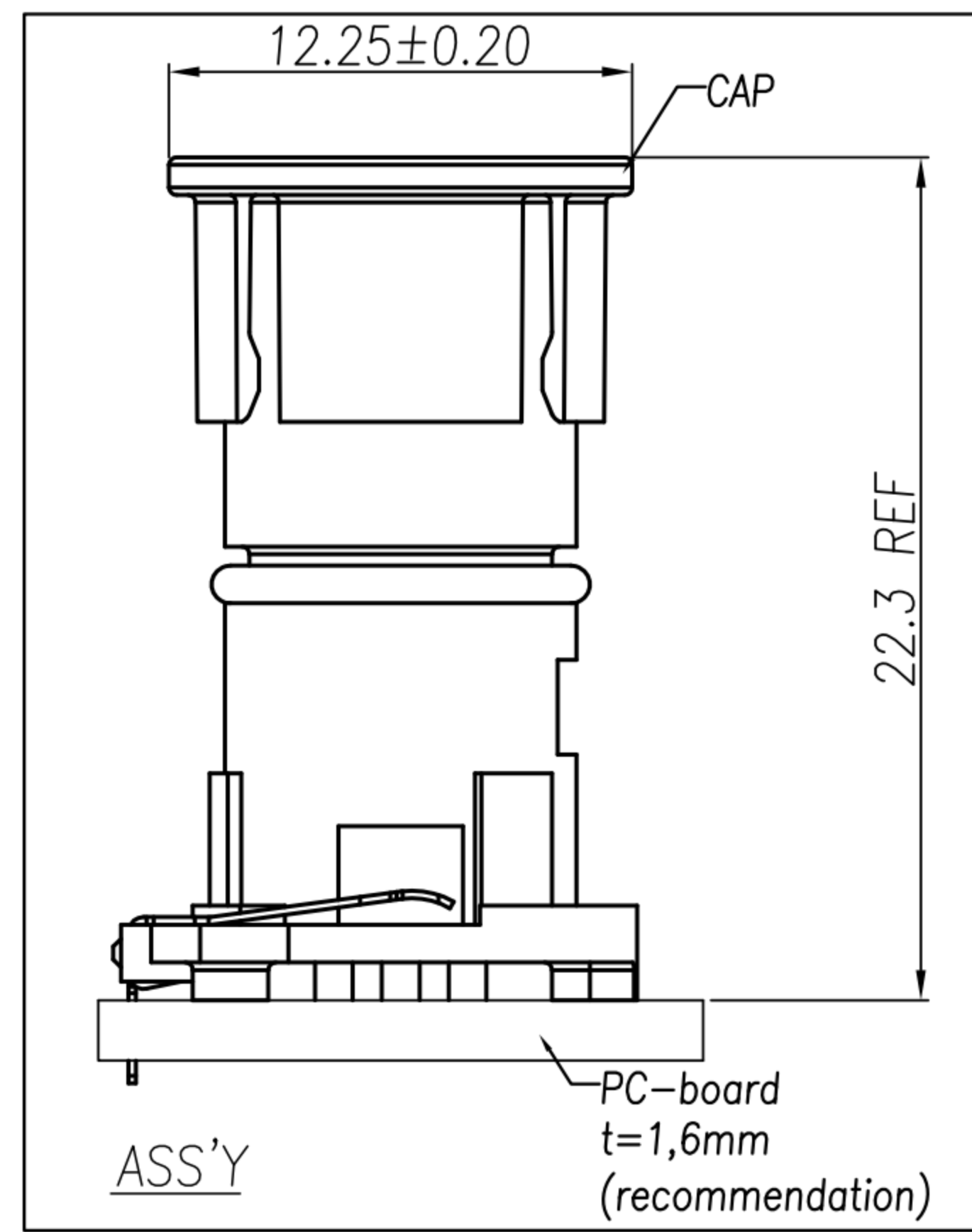
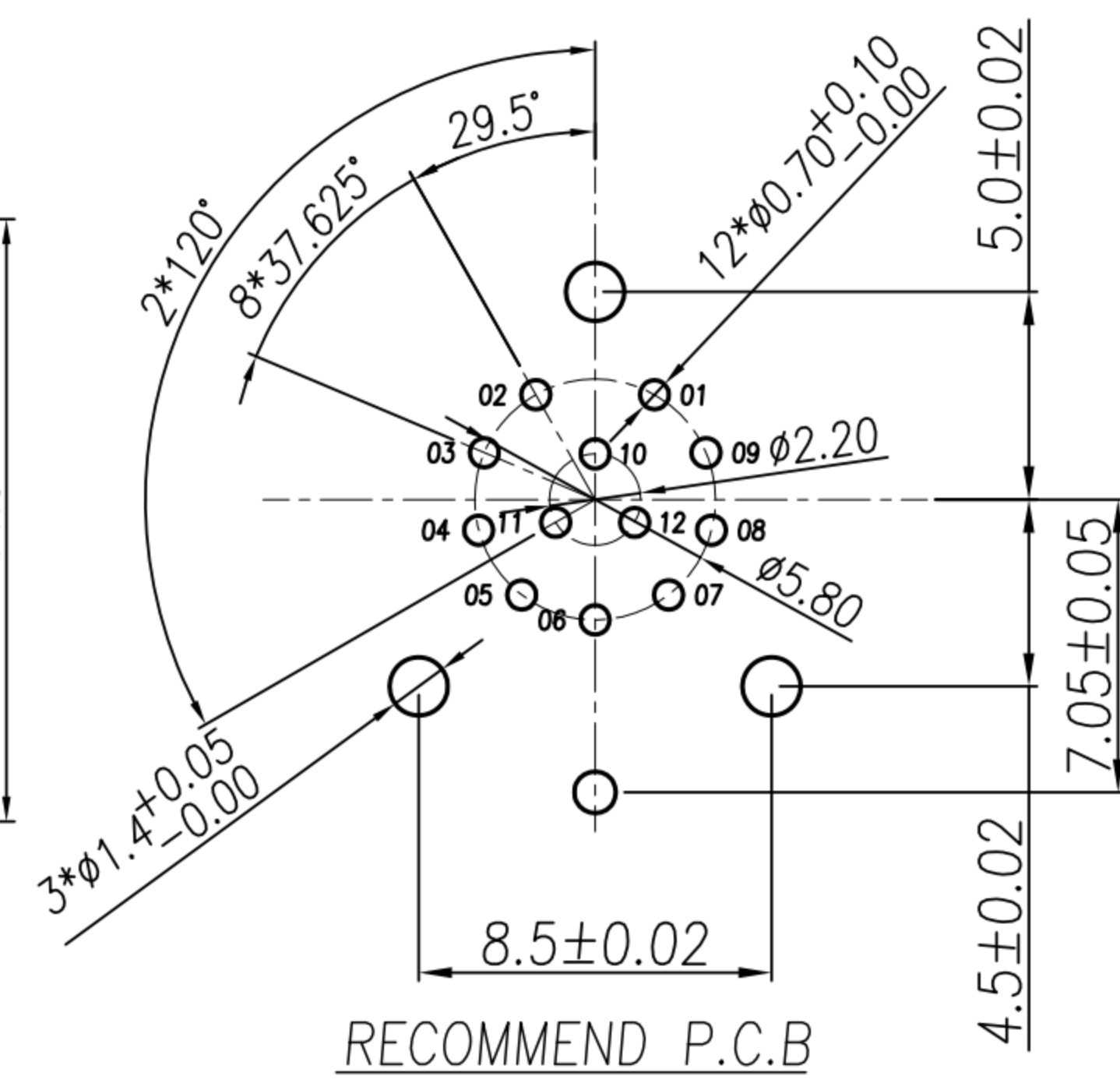
DRAWN	LED	APP'D	Ku Chou	UNIT	mm	TOLERANCE			TITLE	WP M12 A-CODING 12P (M) Two-piece(Straight shielded THR)(電子表金)			SHEET	2
CHK'D	Ku Chou			SCALE	1:1				PART NO.	WP-12M4-01-11	DWG NO.	QC10932	VERSION	A

CUSTOMER DRAWING

REV.	DESCRIPTION	APPROVED BY	DATE	ECN NO.
A	RELEASE	LED	19/01/24'	
B				
C				



Component side (front view)
Recommended keepout area on the circuit board



- MATERIAL :
 - 1-1. HOUSING : PA9T
 - 1-2. CONTACT : BRASS
 - 1-3. O-RING : VITON
 - 1-4. CAP : PA66
 - 1-5. GROUND : PHOSPHOR BRONZE
- FINISH :
 - 2-1. CONTACT : GOLD FLASH PLATED.
 - 2-2. GROUND : NICKEL PLATED.
- ELECTRICAL SPECIFICATION :
 - 3-1. Rated current : 1.5A
 - 3-2. Rated Voltage : 30V
 - 3-3. Water proof : IP67 (in mated condition)
- Environmental :
 - 4-1. Operation Temperature : -25℃~85℃

DRAWN	LED	APP'D	Ku Chou	UNIT	mm	TOLERANCE			TITLE	WP M12 A-CODING 12P (M) Two-piece (Straight shielded THR) (端子架)			SHEET
CHK'D	Ku Chou			SCALE	1:1	ANGULAR ±1°				PART NO.	WP-12M4-01-11	DWG NO.	QC10932

广东科斯达电子科技有限公司
GUANG DONG KE SI DA ELECTRONIC TECHNOLOGY CO., LTD.