

CUSTOMER DRAWING

REV.	DESCRIPTION	APPROVED BY	DATE	ECN NO.
A	RELEASE	Fido Weng	04/03/10'	
B				
C				

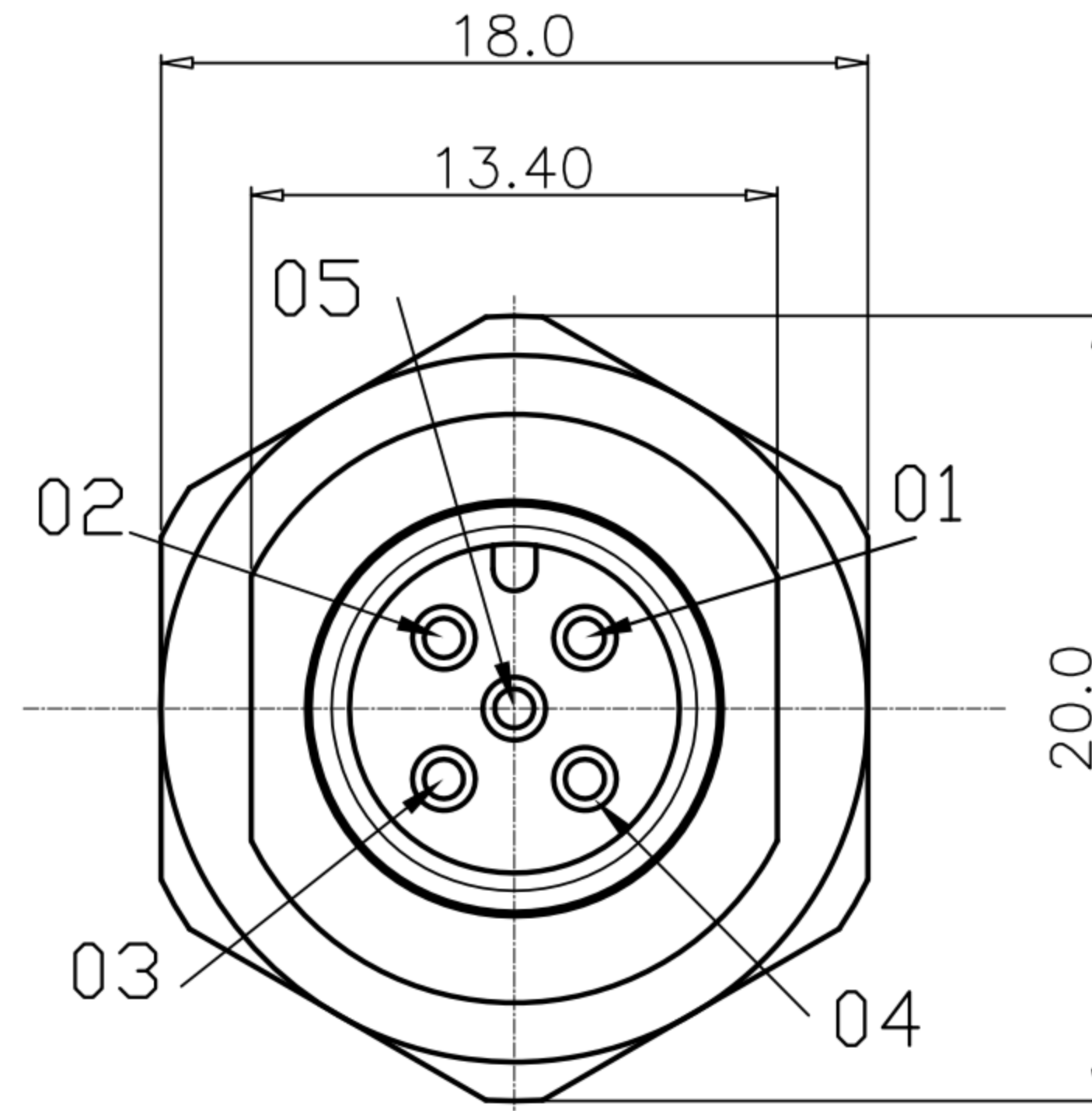
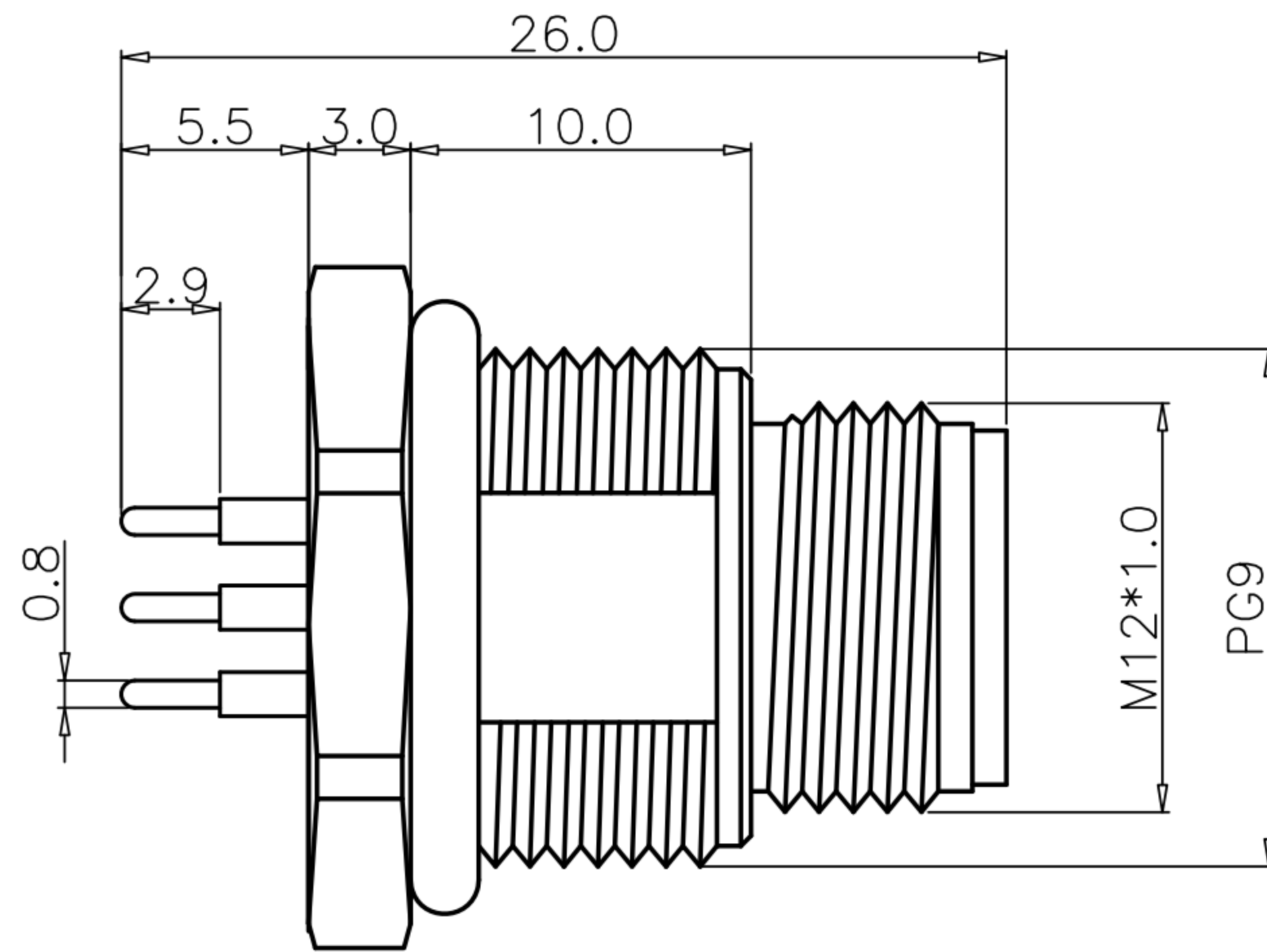
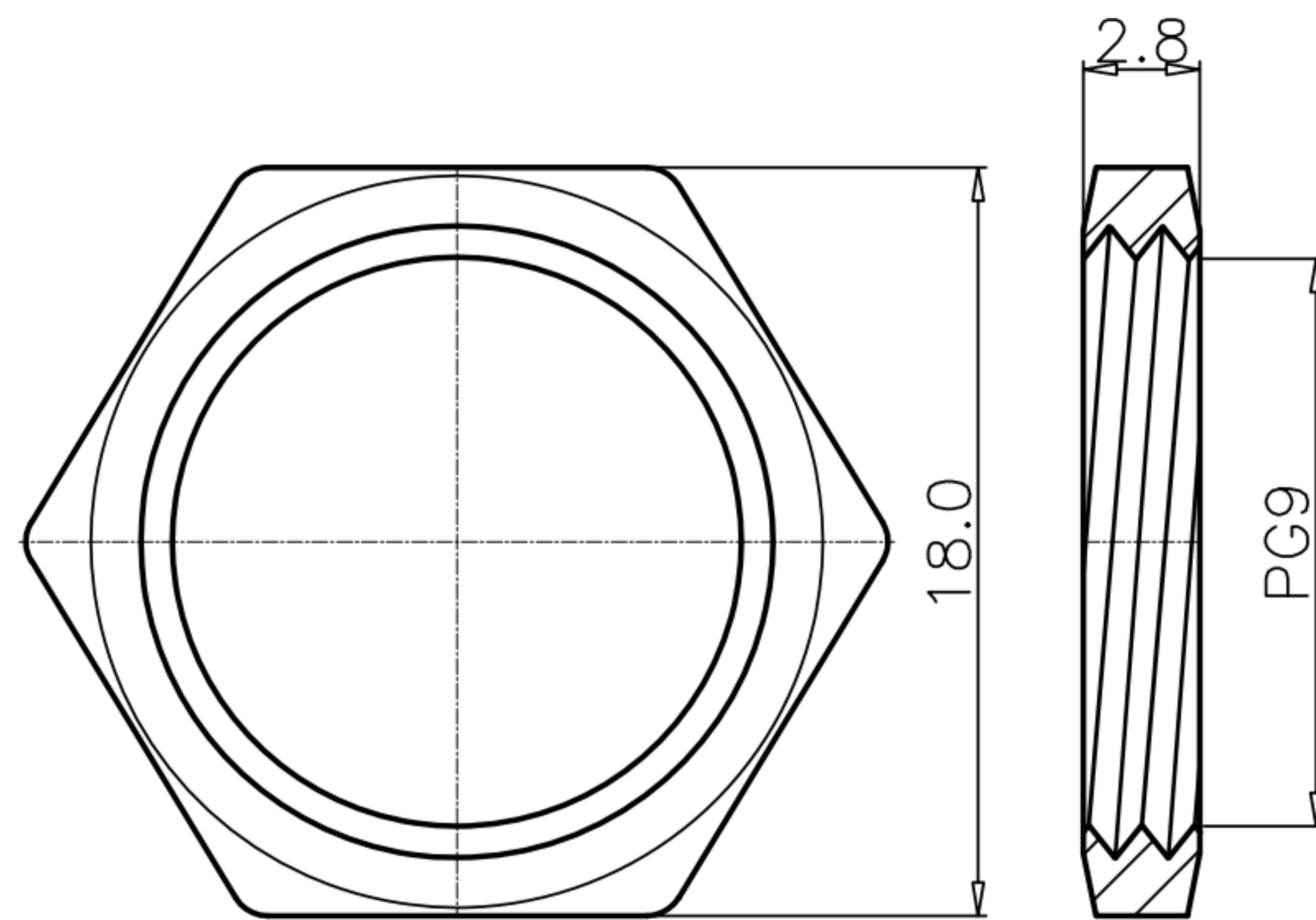


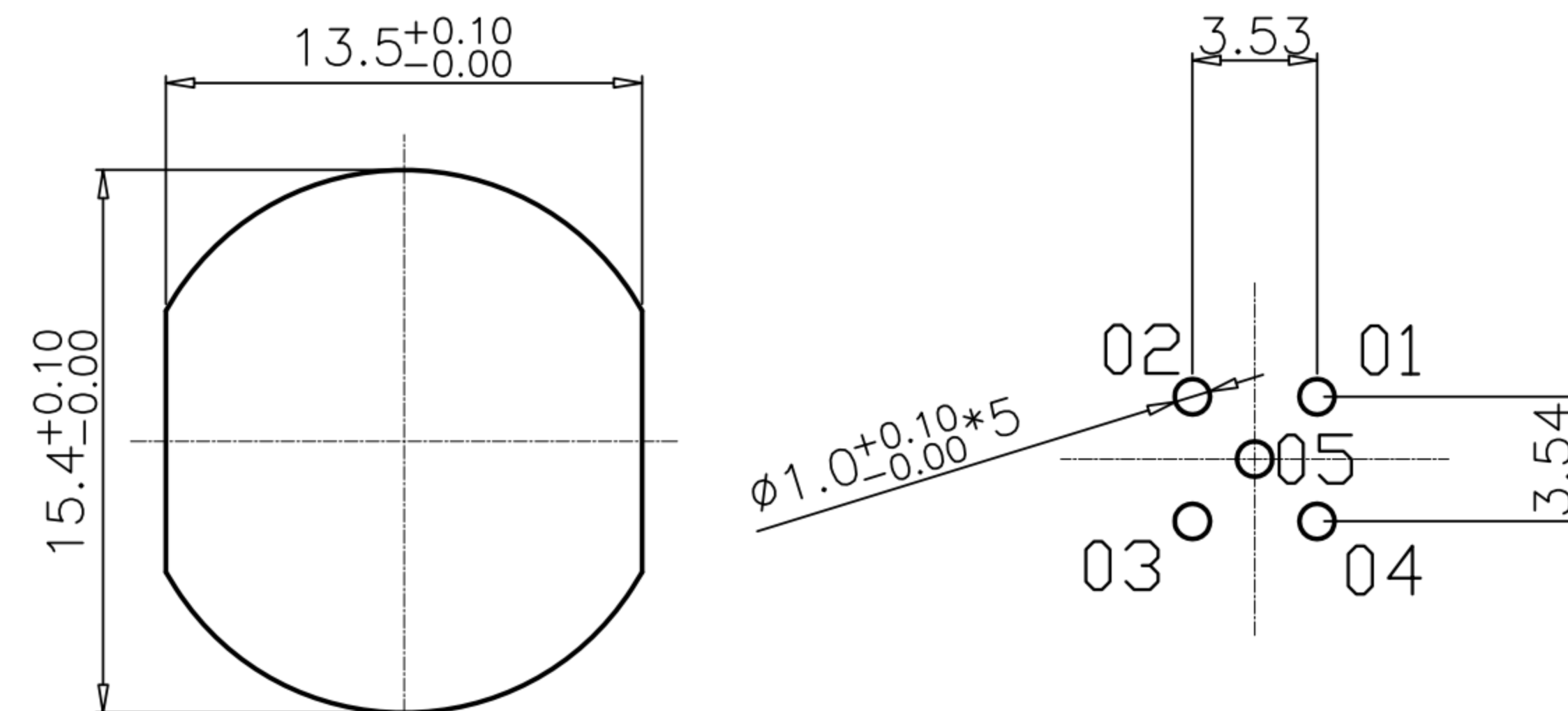
TABLE A

WP-05M2-58	WP-03M2-24 WP-03M2-68-11	WP-03M2-49-11 WP-03M2-69-11
WP-04M2-66	WP-02M2-14	
WP-03M2-69-11	GOLD FLASH	
WP-03M2-68-11	GOLD FLASH	
WP-03M2-49-11	GOLD 10u"	
WP-03M2-24	GOLD 10u"	
WP-05M2-58	GOLD 10u"	
WP-02M2-14	GOLD 10u"	
WP-04M2-66	GOLD 10u"	
PART NO	FINISH	

- MATERIAL :
 - 1-1. HOUSING : PBT UL94V-0 ; COLOR : BLACK
 - 1-2. CONTACT : BRASS
 - 1-3. NUT : BRASS
 - 1-4. SHELL : BRASS
 - 1-5. O-RING : EPDM ; COLOR : BLACK
- FINISH :
 - 2-1. CONTACT : SEE TABLE A
 - 2-2. NUT : NICKEL PLATED
 - 2-3. SHELL : NICKEL PLATED
- ELECTRICAL SPECIFICATION :
 - 3-1. Rated current : 4A
 - 3-2. Rated voltage : 2~4PIN 250V ; 5PIN 60V
 - 3-3. Water proof: IPX7
- Environmental :
 - 4-1. Operation Temperature : -40℃~85℃



NUT



RECOMMEND PANEL CUT-OUT RECOMMEND P.C.B LAYOUT

DRAWN	Ku Chou	APPEND	Fido Weng	UNIT	mm	TOLERANCE			TITLE	防水頭 M12 A-Code (M) 前鎖 Pg9 插件式			SHEET	
CHOKED	Emily Suen			SCALE	1:1				广东科斯达电子科技有限公司 GUANG DONG KE SI DA ELECTRONIC TECHNOLOGY CO., LTD.	PART NO.	SEE TABLE A	DWG NO.	QC5580	