

CUSTOMER DRAWING

REV.	DESCRIPTION	APPROVED BY	DATE	ECN NO.
A	RELEASE	Fido Weng	04/08/09*	
B	CHANGE & DIN	Fido Weng	26/04/10*	ECN10041
C				

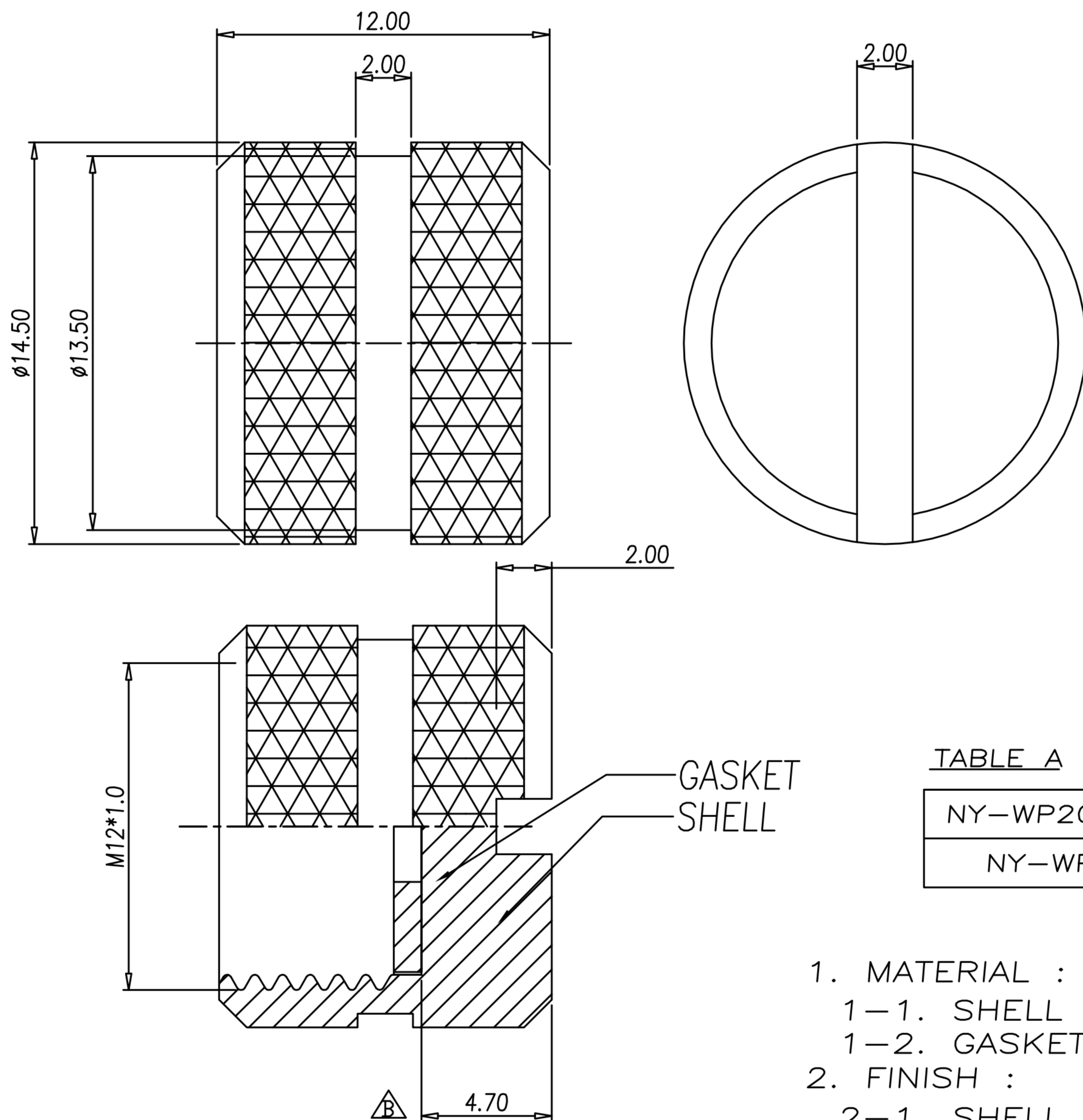


TABLE A

NY-WP2063-01	STAINLESS STEEL 316	PASSIVATION
NY-WP227	BRASS	NICKEL PLATED

1. MATERIAL :
 - 1-1. SHELL : SEE TABLE A
 - 1-2. GASKET : SILICONE ; COLOR : BLACK
2. FINISH :
 - 2-1. SHELL : SEE TABLE A

DRAWN	Jen Xie	APP'D	Fido Weng	UNIT	mm	TOLERANCE			TITLE	M12 防塵蓋+墊片			SHEET	1
CHK'D	Emily Suen			SCALE	1:1	.x ±0.10 .xx ±0.05 .xxx ±0.03 .xxx ±0.01 ANGULA ±1°			PART NO.	SEE TABLE A	DWG NO.	QC4380	VERSION	B