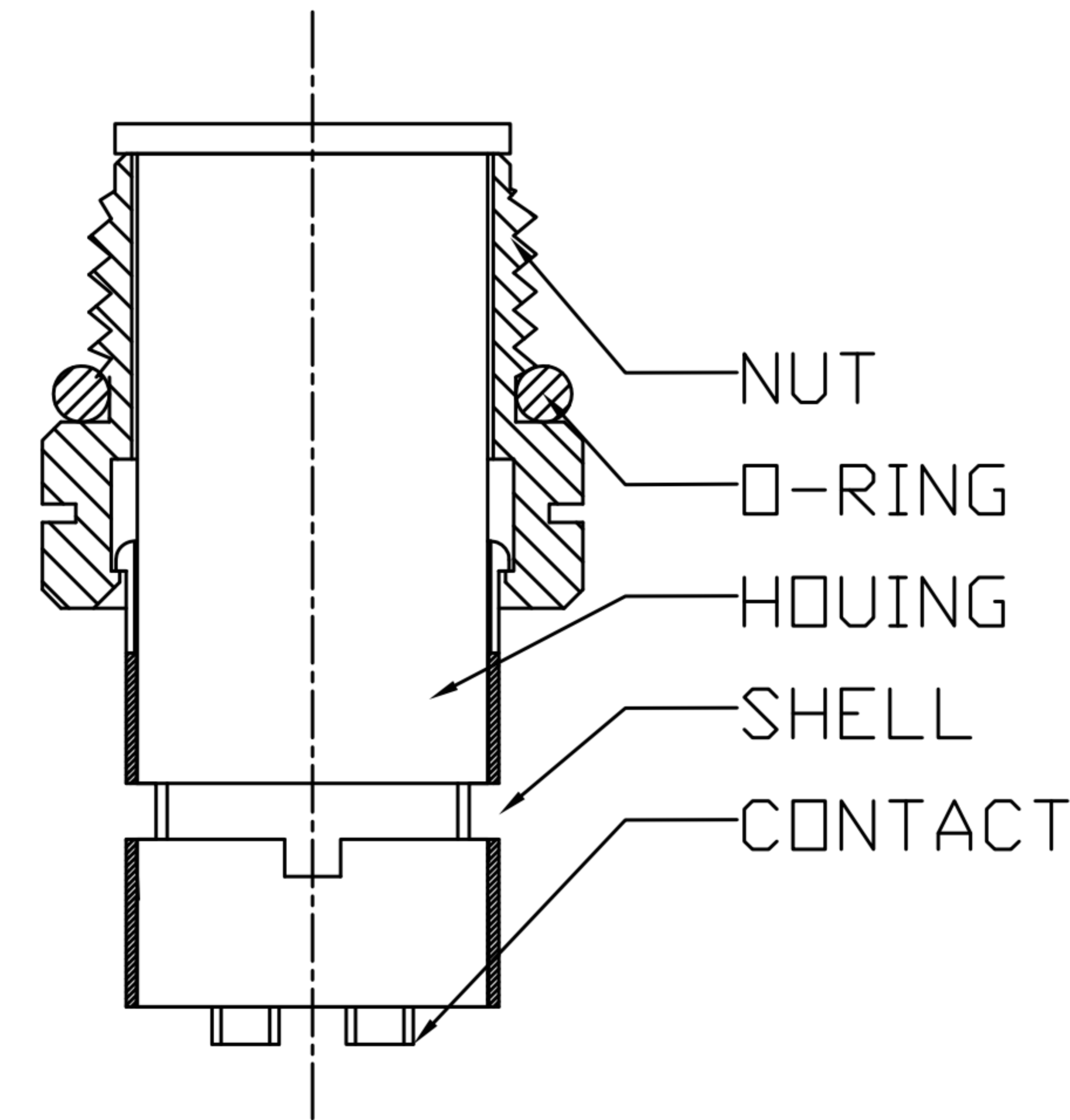
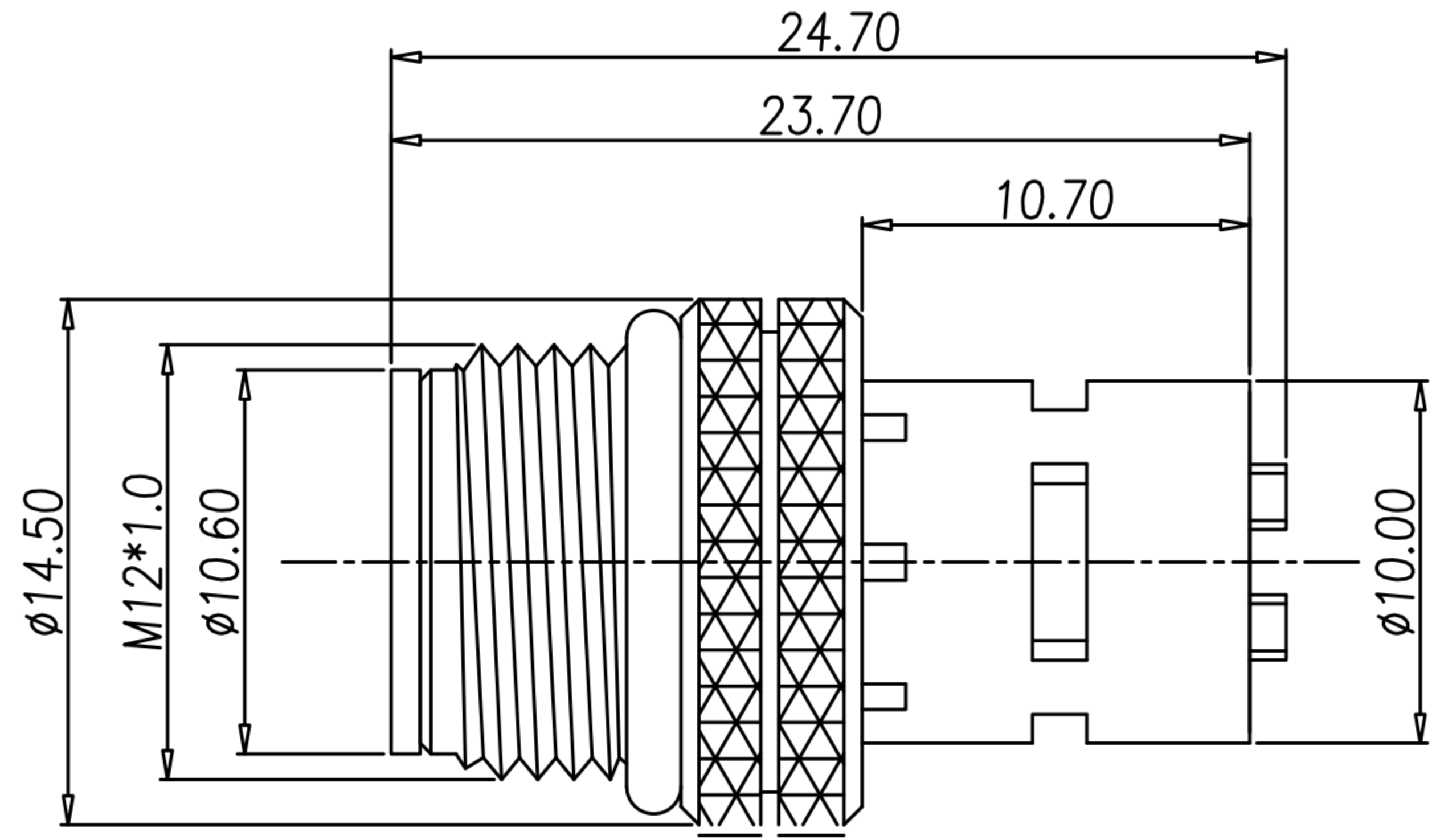
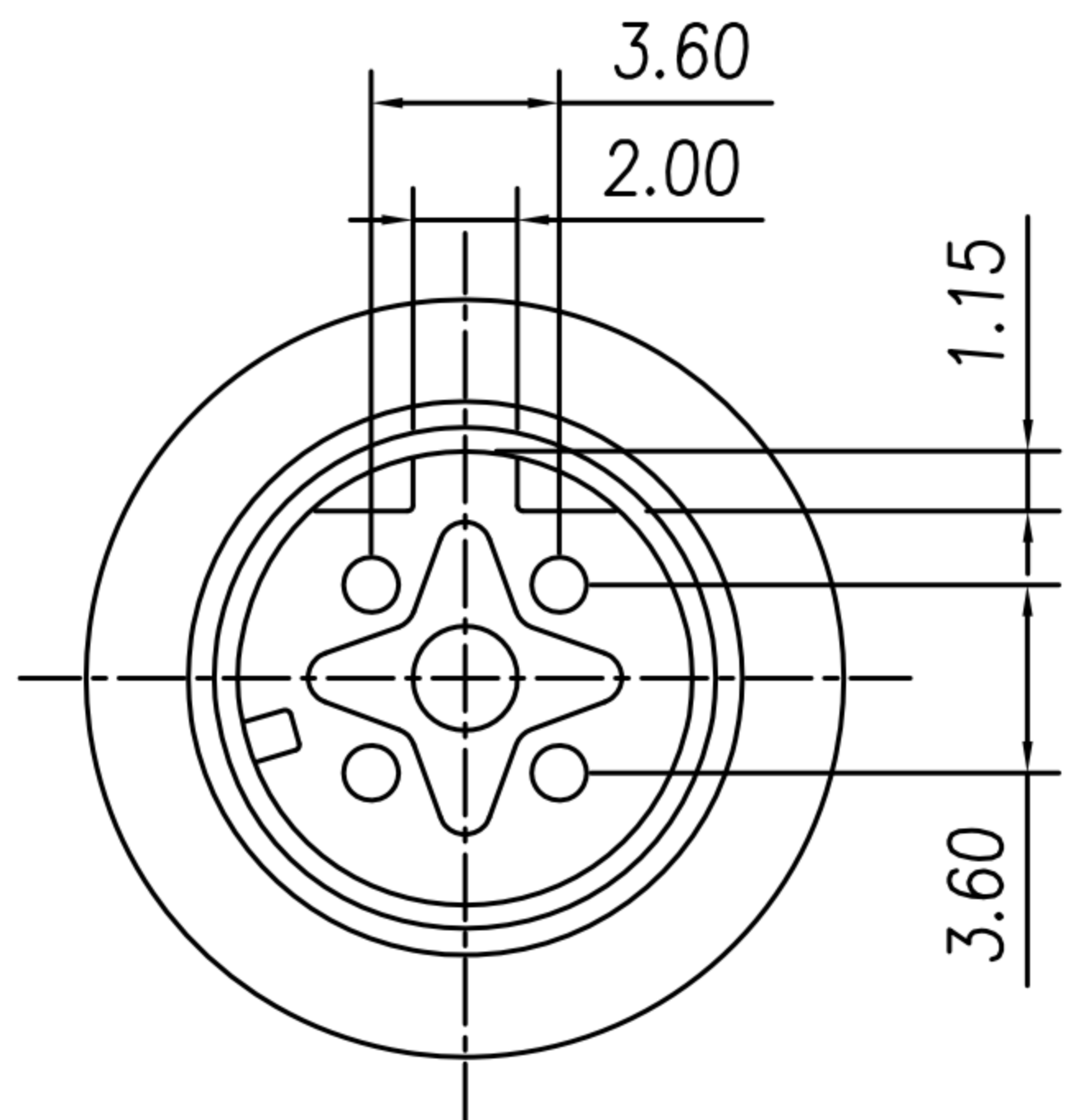


CUSTOMER DRAWING

REV.	DESCRIPTION	APPVL. BY	DATE	ECN NO.
△A	RELEASE	Fido Weng	30/10/11'	
△B	新增料號	KU	27/12/18'	
△C				



- MATERIAL :
 - 1-1. HOUSING : SEE TABLE A UL94V-0 ; COLOR : BLACK
 - 1-2. CONTACT : BRASS
 - 1-3. NUT : BRASS
 - 1-4. O-RING : EPDM ; COLOR : BLACK
 - 1-5. SHELL : BRASS
- FINISH :
 - 2-1. CONTACT : SEE TABLE A
UNDER PLATE : NICKEL
 - 2-2. NUT : NICKEL PLATED.
 - 2-3. SHELL : BRIGHT TIN PLATED.
- ELECTRICAL SPECIFICATION :
 - 3-1. Rated current : 4A
 - 3-2. Rated Voltage : 4PIN 250V ; 5PIN 60V
 - 3-3. Water proof : IP67
- Environmental :
 - 4-1. Operation Temperature : -40℃~85℃

TABLE A

4PIN	5PIN
WP-04M2-67 WP-04M2-128-11 WP-04M2-270-11	WP-05M2-134-11 WP-05M2-218-11

PART NO	FINISH	HOUSING
WP-04M2-270-11	10u" GOLD PLATED	NYLON 66
WP-05M2-134-11	10u" GOLD PLATED	PBT
WP-05M2-218-11	GOLD FLASH PLATED	PBT
WP-04M2-67	10u" GOLD PLATED	PBT
WP-04M2-128-11	GOLD FLASH PLATED	PBT