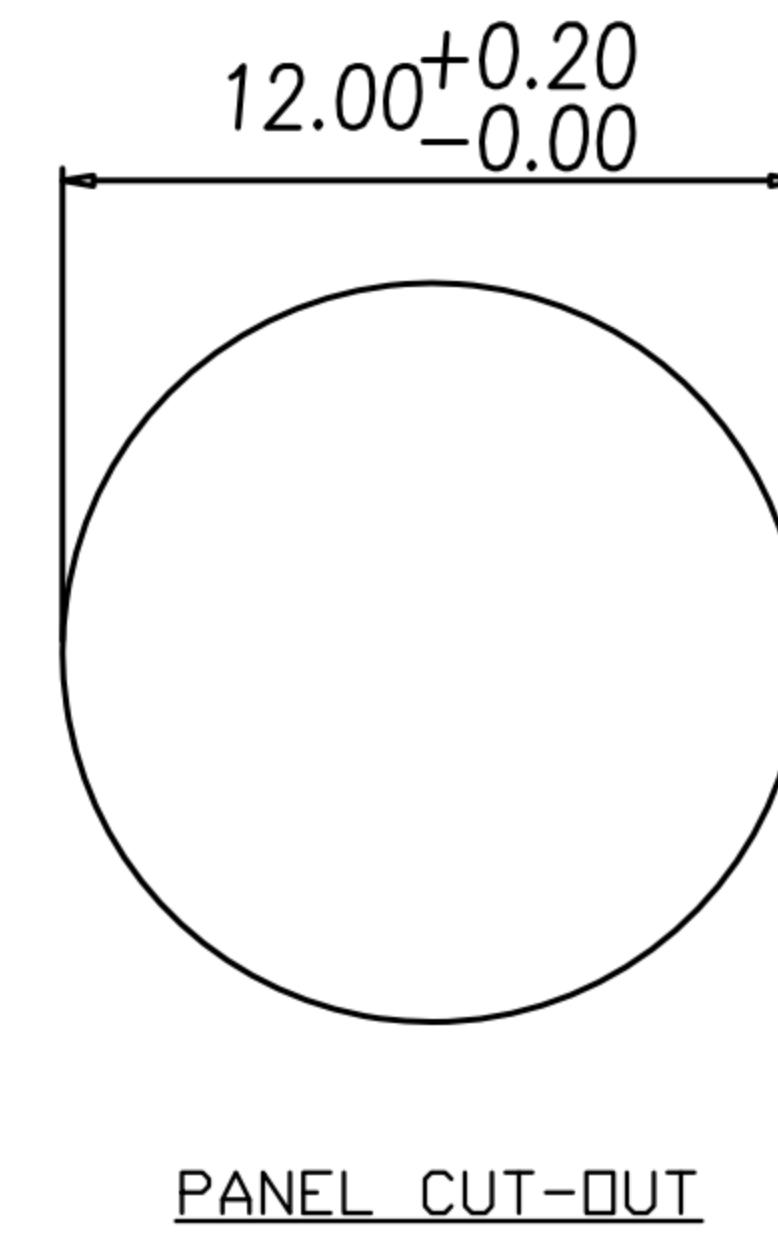
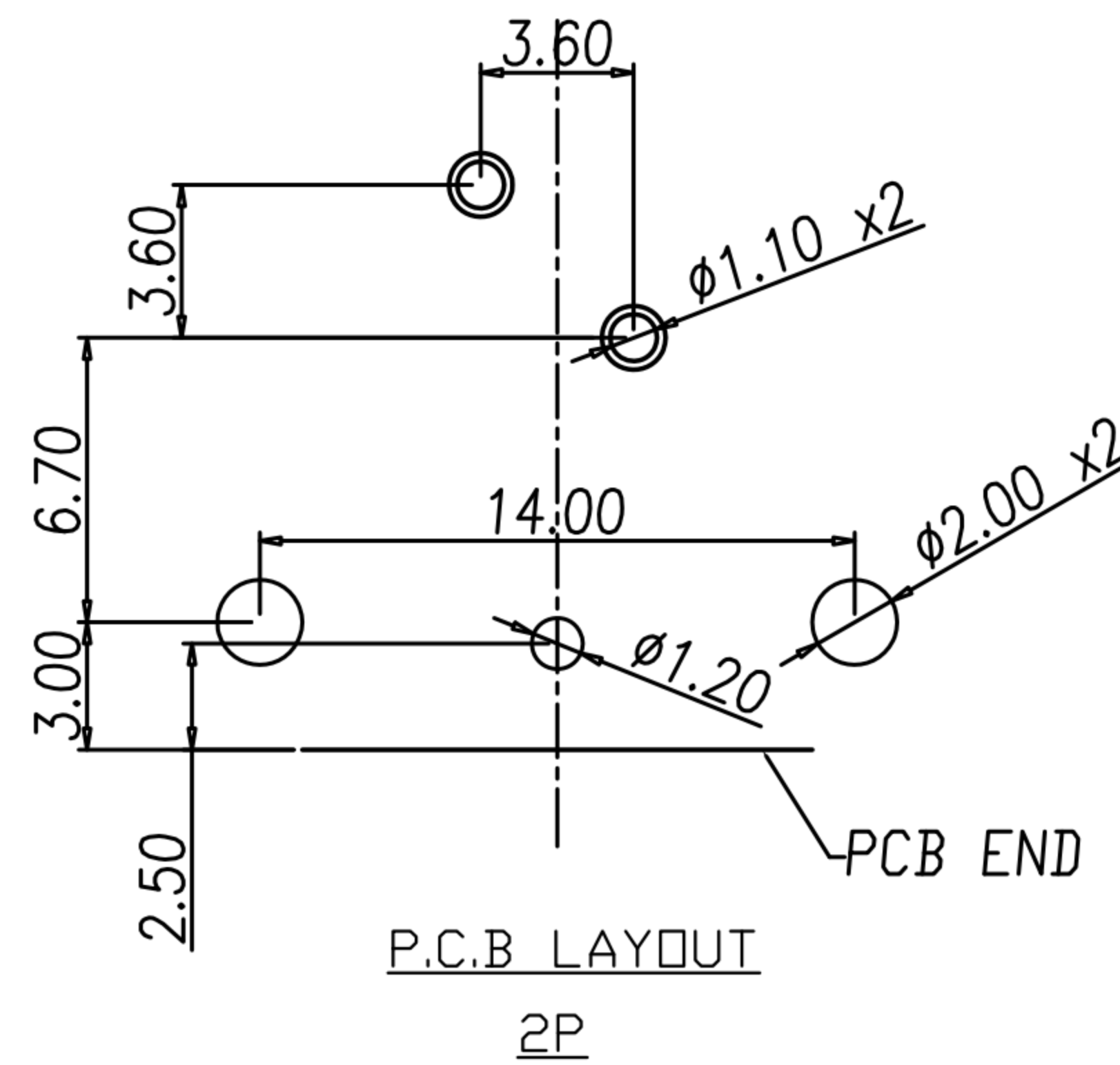
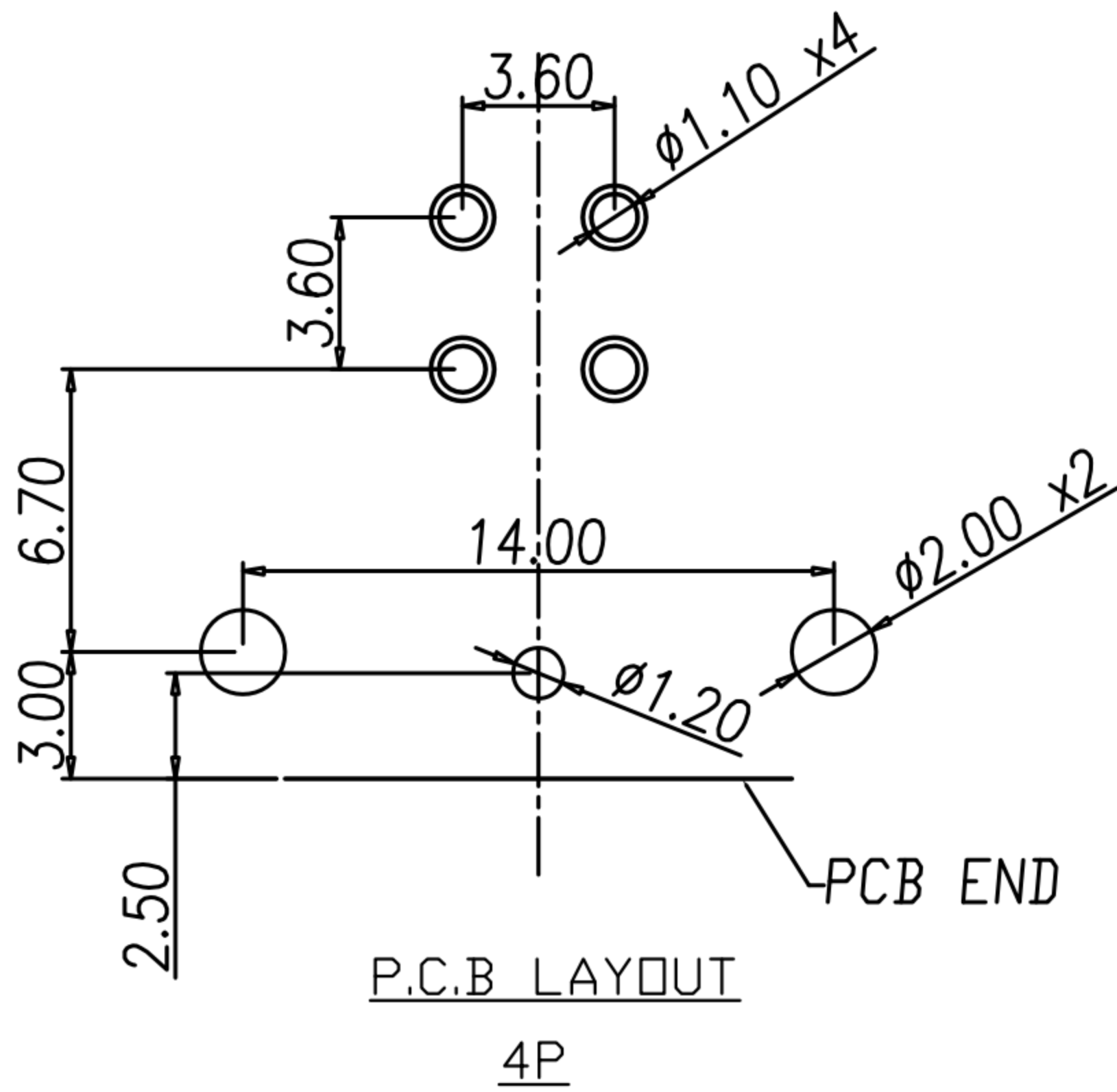
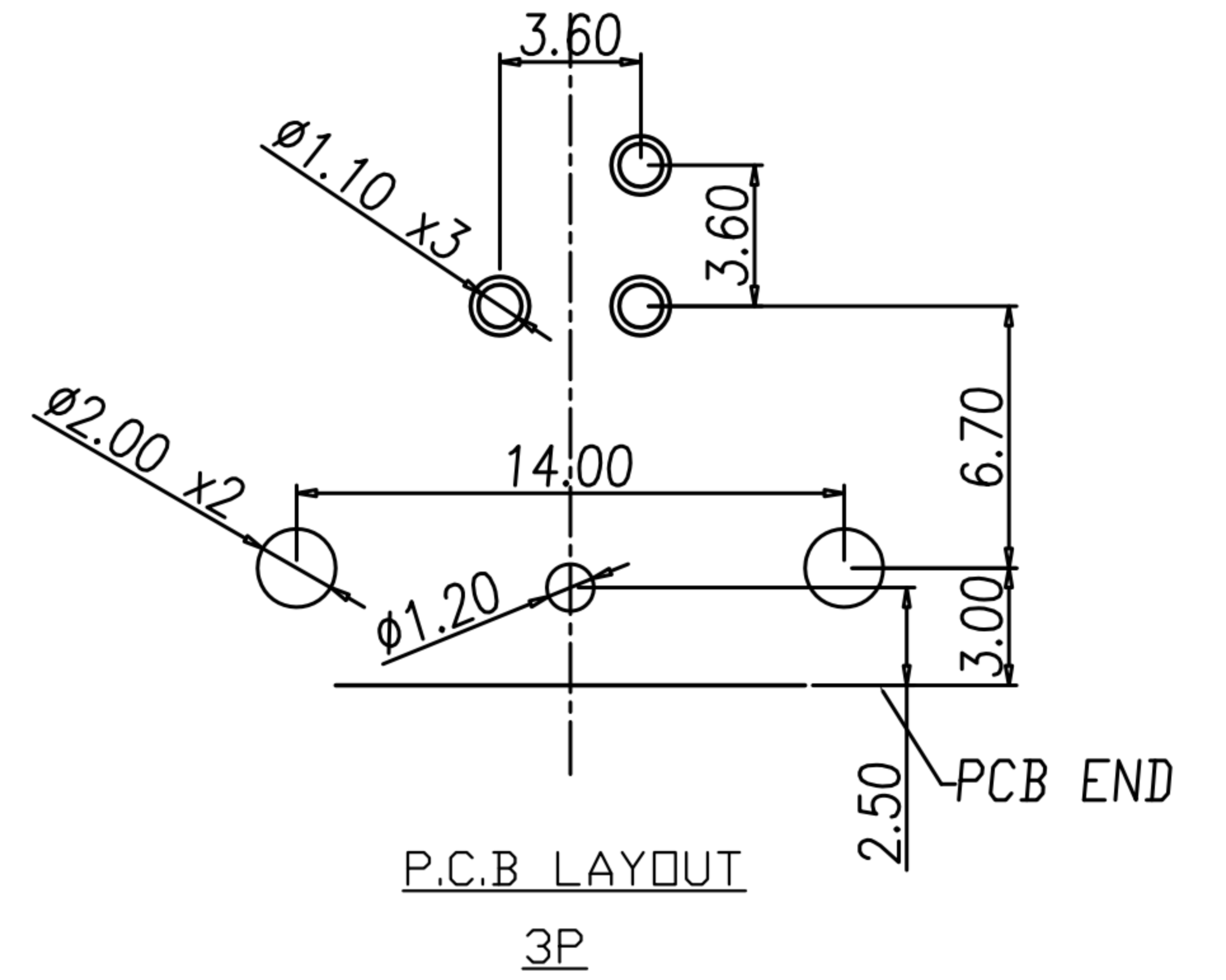
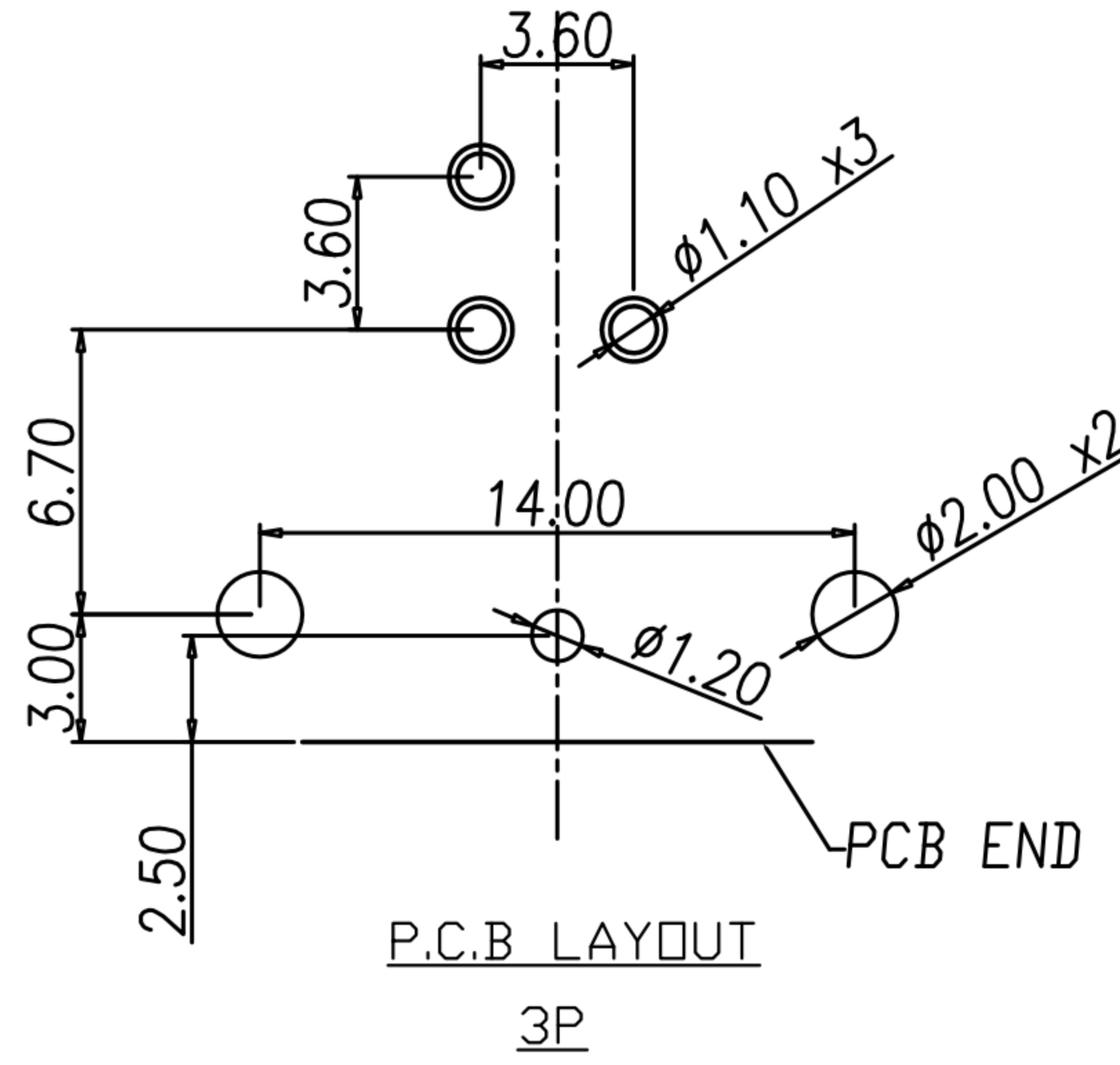
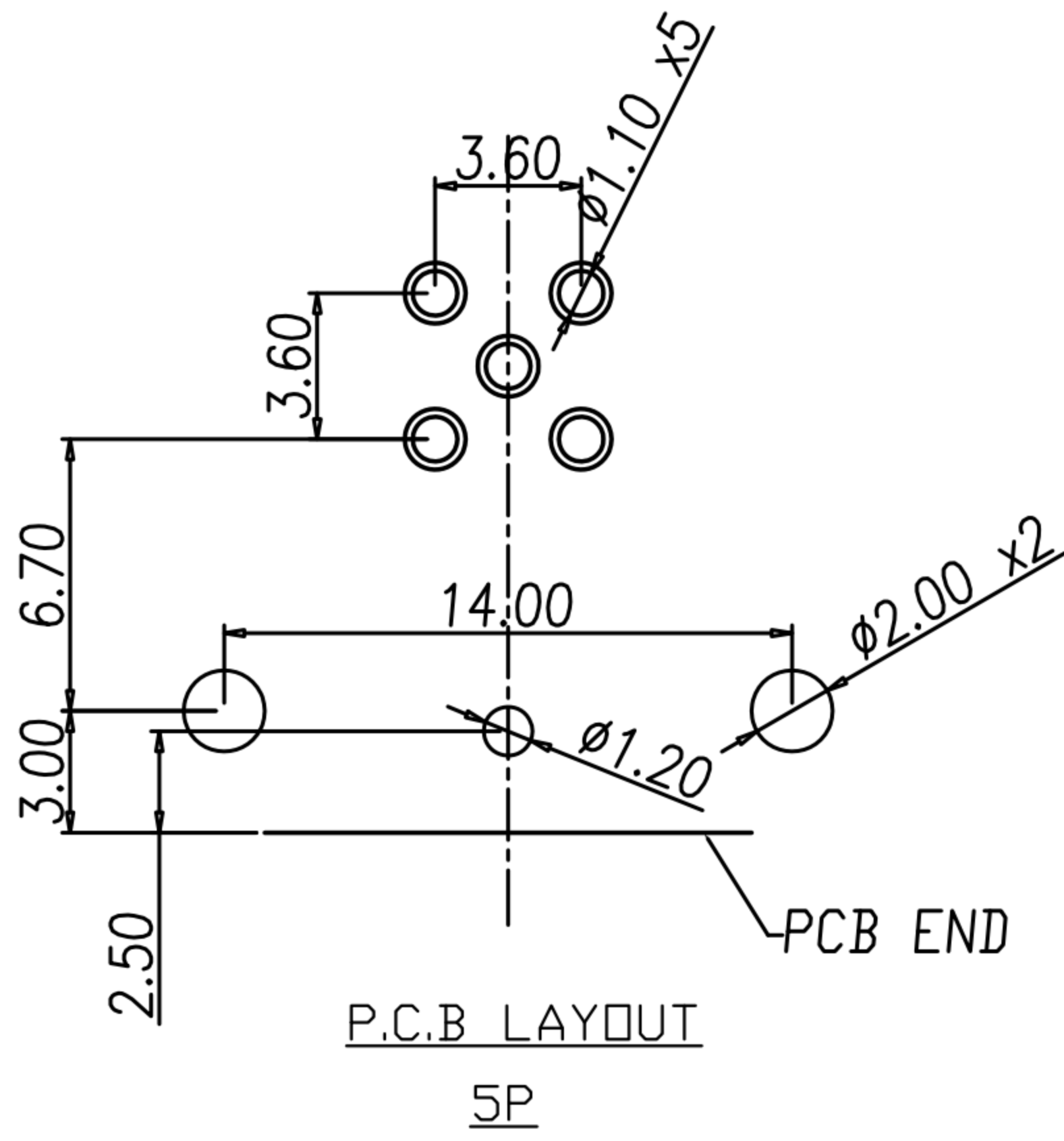


CUSTOMER DRAWING

REV.	DESCRIPTION	APPROVED BY	DATE	ECN NO.
△A				
△B				
△C				

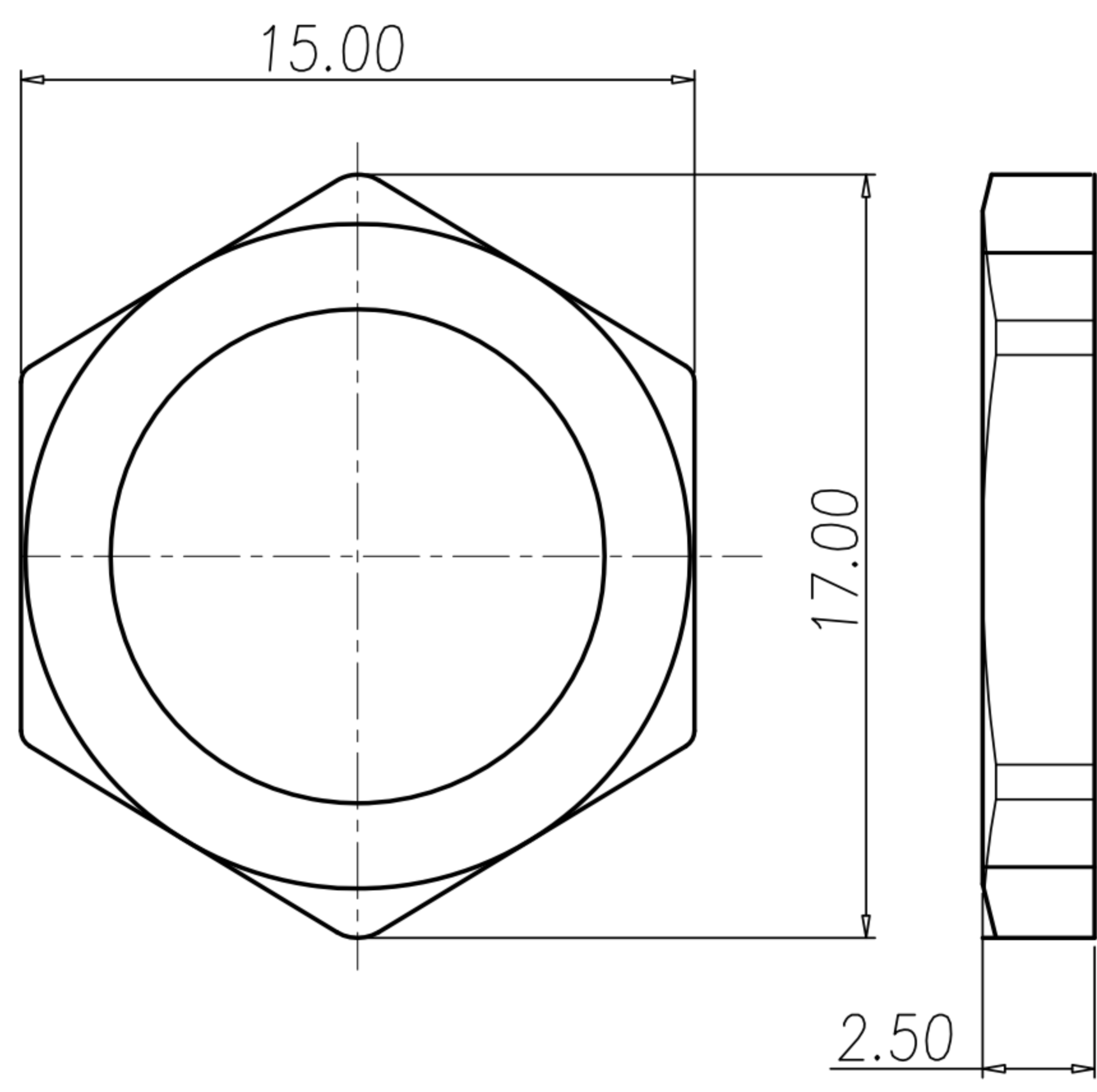


DRAWN	Yeh Chou	APPEND	Emily Suen	UNIT	mm	TOLERANCE		广东科斯达电子科技有限公司 GUANG DONG KE SI DA ELECTRONIC TECHNOLOGY CO., LTD.	TITLE	WATERPROOF M12*1.0 (M) 90度板端			SHEET	1/1
CHK'D	Emily Suen			SCALE	1:1	.x ±0.20 .xx ±0.10 .xxx ±0.05 .xxxx ±0.03 ANGULA ±1°			PART NO.	SEE TABLE A	DWG NO.	QC6453	VERSION	A

A B C D E F

CUSTOMER DRAWING

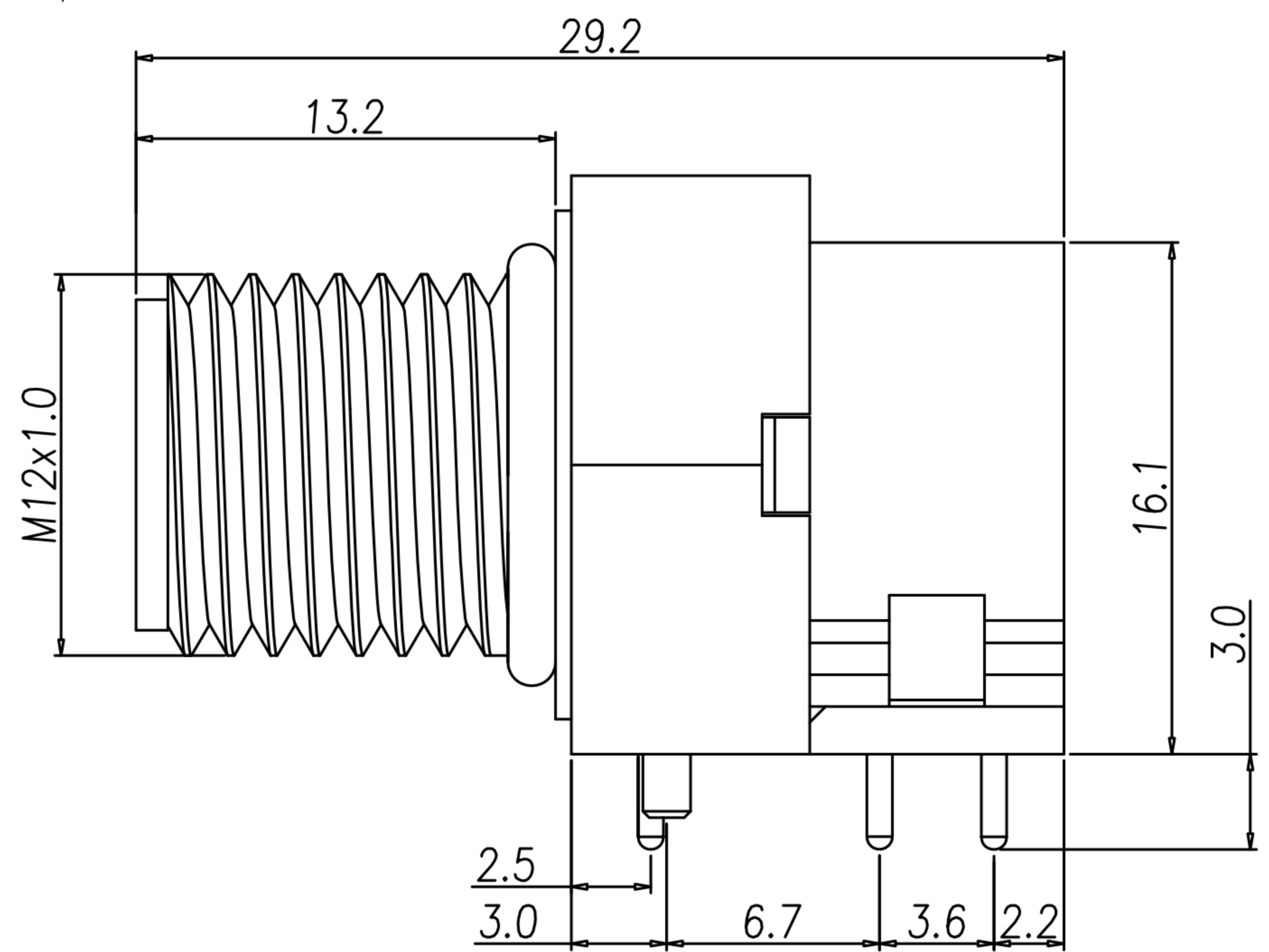
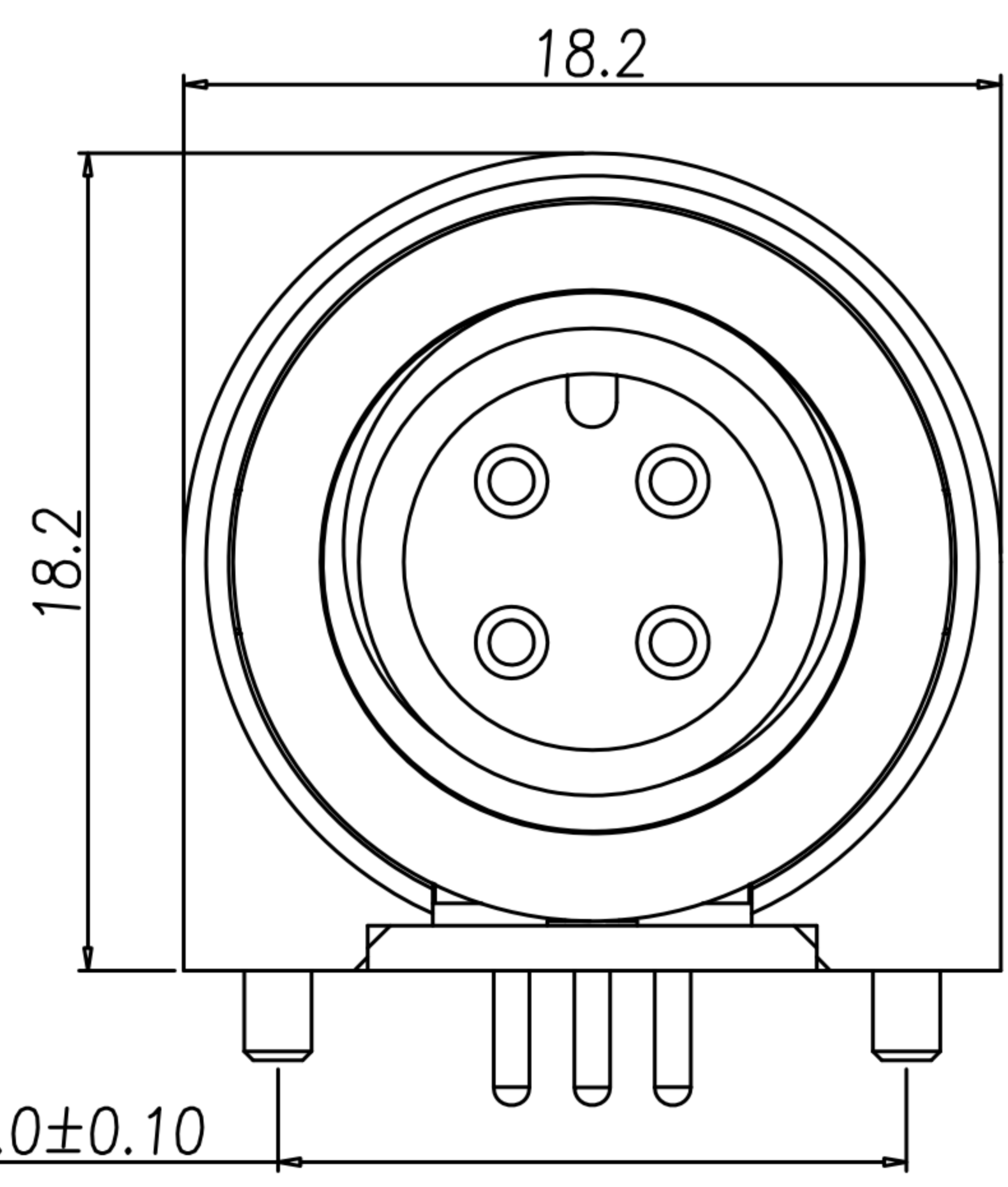
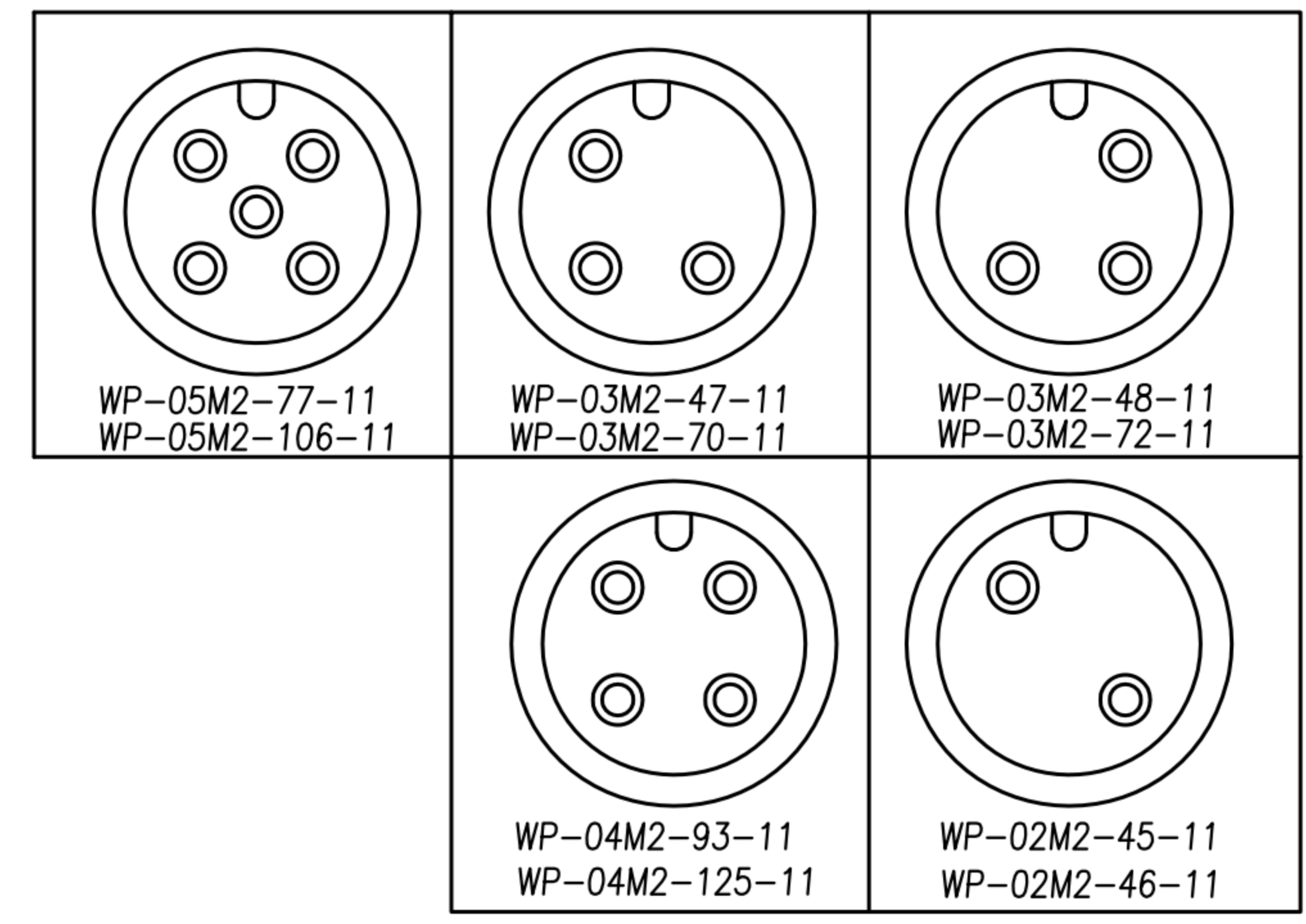
REV.	DESCRIPTION	APPROVED BY	DATE	ECN NO.
△A	RELEASE	Fido Weng	22/12/08*	
△B				
△C				



NUT

WP-02M2-46-11	GOLD 10u"
WP-03M2-72-11	GOLD 10u"
WP-05M2-106-11	GOLD 10u"
WP-04M2-125-11	GOLD 10u"
WP-03M2-70-11	GOLD 10u"
WP-02M2-45-11	GOLD FLASH
WP-05M2-77-11	GOLD FLASH
WP-04M2-93-11	GOLD FLASH
WP-03M2-48-11	GOLD FLASH
WP-03M2-47-11	GOLD FLASH
PART NO	FINISH

TABLE A



NOTE:

- MATERIAL :
 - 1-1. HOUSING : PBT UL94V-0 ; COLOR : BLACK
 - 1-2. CONTACT : BRASS
 - 1-3. NUT : BRASS
 - 1-4. SHELL : BRASS
 - 1-5. O-RING : EPDM ; COLOR : BLACK
 - 1-6. BACK HOUSING : PBT UL94V-0 ; COLOR : BLACK
 - 1-7. DOWN HOUSING : PBT UL94V-0 ; COLOR : BLACK
- FINISH :
 - 2-1. CONTACT : SEE TABLE A
 - 2-2. NUT : NICKEL PLATED
 - 2-3. SHELL : SATIN NICKEL 80u"~100u" ON OVER ALL
- ELECTRICAL SPECIFICATION :
 - 3-1. Rated current : 4A
 - 3-2. Rated voltage : 2~4PIN 250V ; 5PIN 60V
 - 3-3. Water proof : IPX7
- Environmental :
 - 4-1. Operation Temperature : -40°C~+85°C