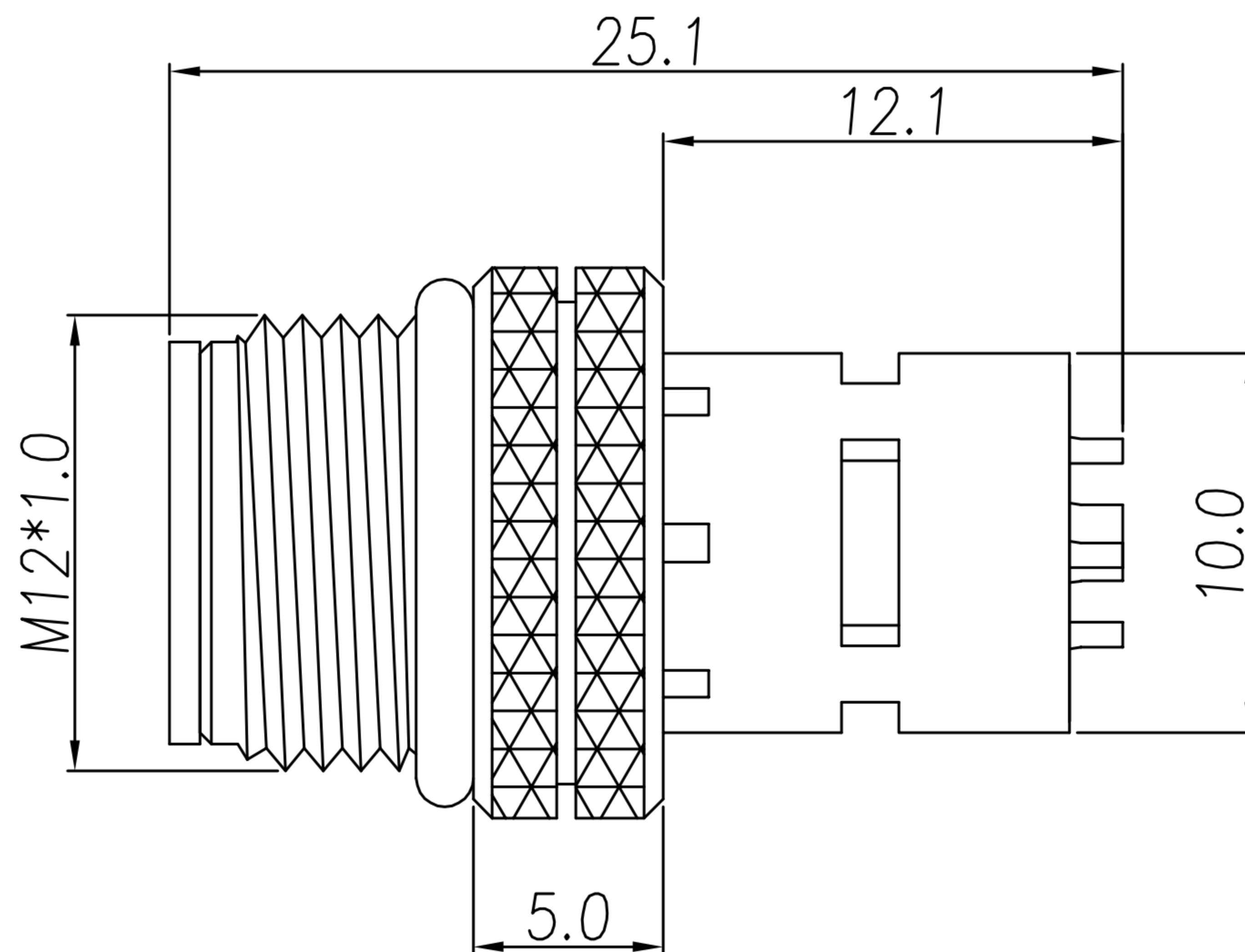
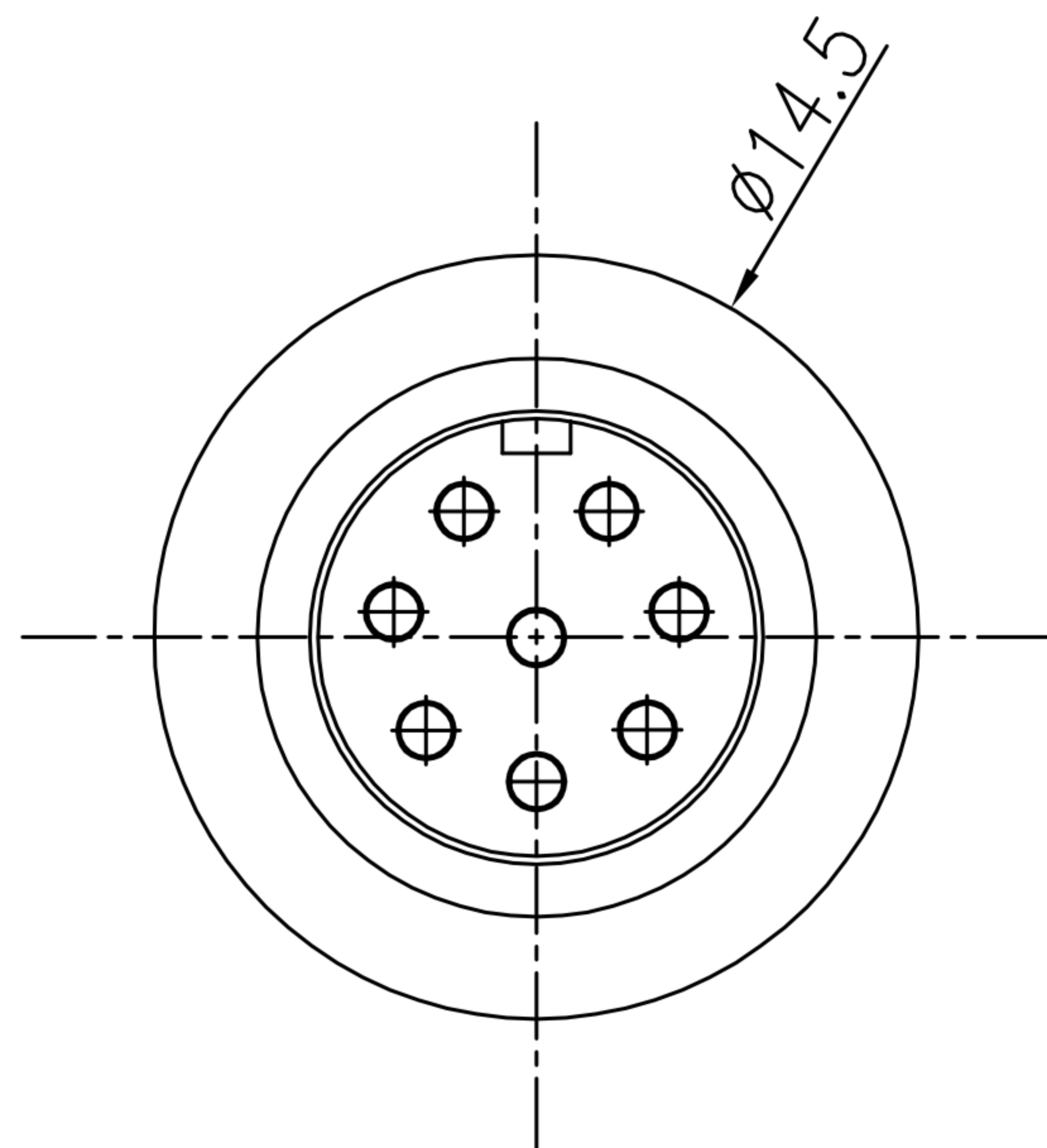
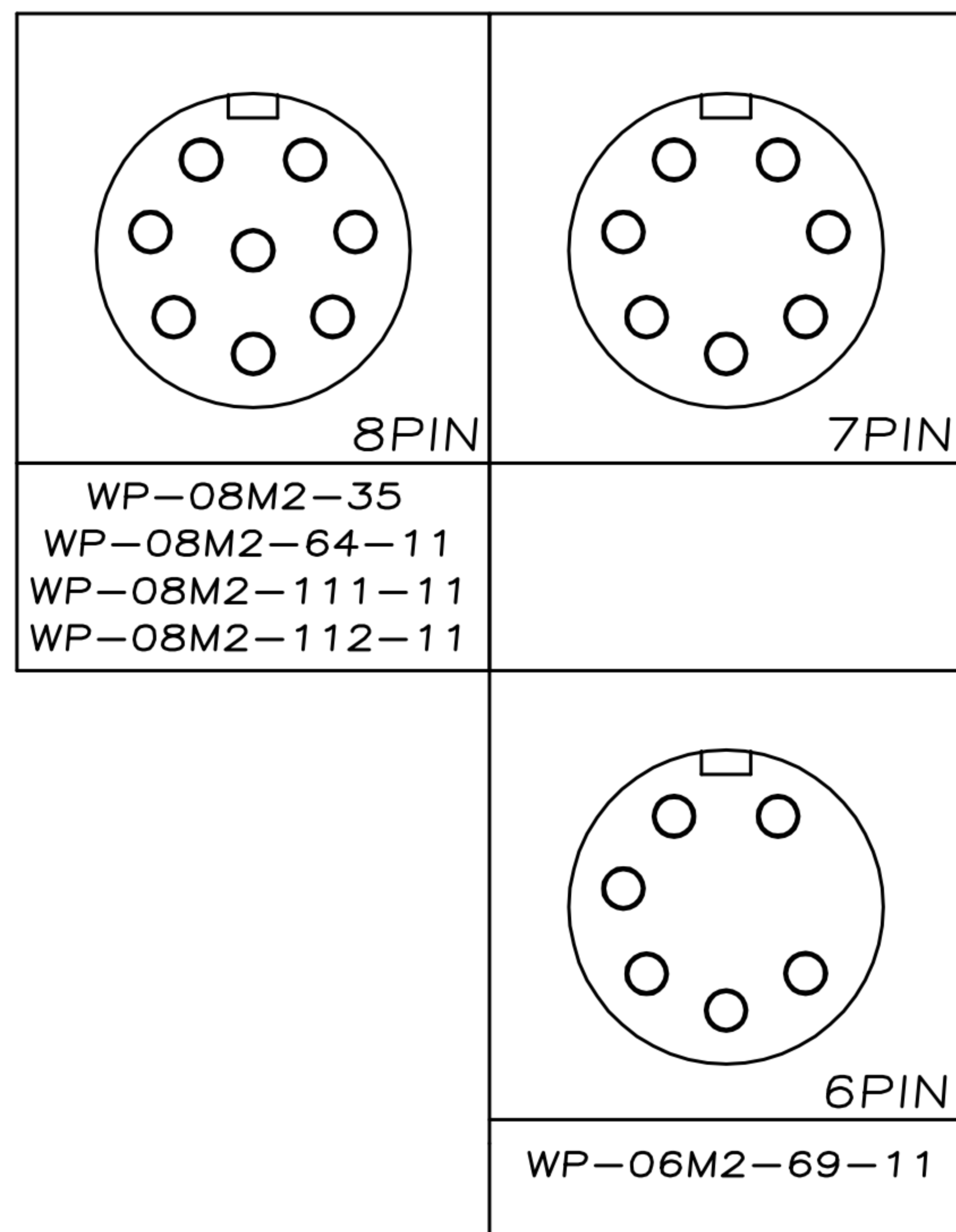


CUSTOMER DRAWING

REV.	DESCRIPTION	APPVL. BY	DATE	ECN NO.
△C	RELEASE	Fido Weng	11/04/13'	
△D	ADD P/N	Ku Chou	04/06/19'	
△E				



1. MATERIAL :
- 1-1. HOUSING : PBT UL94V-0 ; COLOR : BLACK
  - 1-2. CONTACT : BRASS
  - 1-3. NUT : SEE TABLE A
  - 1-4. O-RING : EPDM ; COLOR : BLACK
  - 1-5. SHELL : SEE TABLE A

2. FINISH :
- 2-1. CONTACT : SEE TABLE A  
UNDER PLATE : NICKEL
  - 2-2. NUT : SEE TABLE A
  - 2-3. SHELL : SEE TABLE A

3. ELECTRICAL SPECIFICATION :
- 3-1. Rated current : 2A
  - 3-2. Rated Voltage : 30V
  - 3-3. Water proof : IPX7

4. Environmental :
- 4-1. Operation Temperature : -40℃~85℃

TABLE A

WP-08M2-111-11	STAINLESS STEEL 316	-	STAINLESS STEEL 316	-	GOLD 10u"
WP-08M2-112-11	BRASS	BRIGHT TIN PLATED	STAINLESS STEEL 316	-	GOLD 10u"
WP-08M2-64-11	BRASS	BRIGHT TIN PLATED	BRASS	BRIGHT TIN PLATED	GOLD 10u"
WP-08M2-35	BRASS	BRIGHT TIN PLATED	BRASS	BRIGHT TIN PLATED	GOLD FLASH
WP-06M2-69-11	BRASS	BRIGHT TIN PLATED	BRASS	BRIGHT TIN PLATED	GOLD 10u"
PART NO	MATERIAL(SHELL)	FINISH(SHELL)	MATERIAL(NUT)	FINISH(NUT)	FINISH

DRAWN	Emily Suen	APP'D	Ku Chou	UNIT	mm	TOLERANCE				TITLE	防水頭 M12 (M) A-CODE 線端焊線式+接地			SHEET	1
CHK'D	Ku Chou			SCALE	1:1	.x ±0.20 .xx ±0.10 .xxx ±0.05 .xxxx ±0.03 ANGULA ±1°				PART NO.	SEE TABLE A	DWG NO.	QC6163	VERSION	D