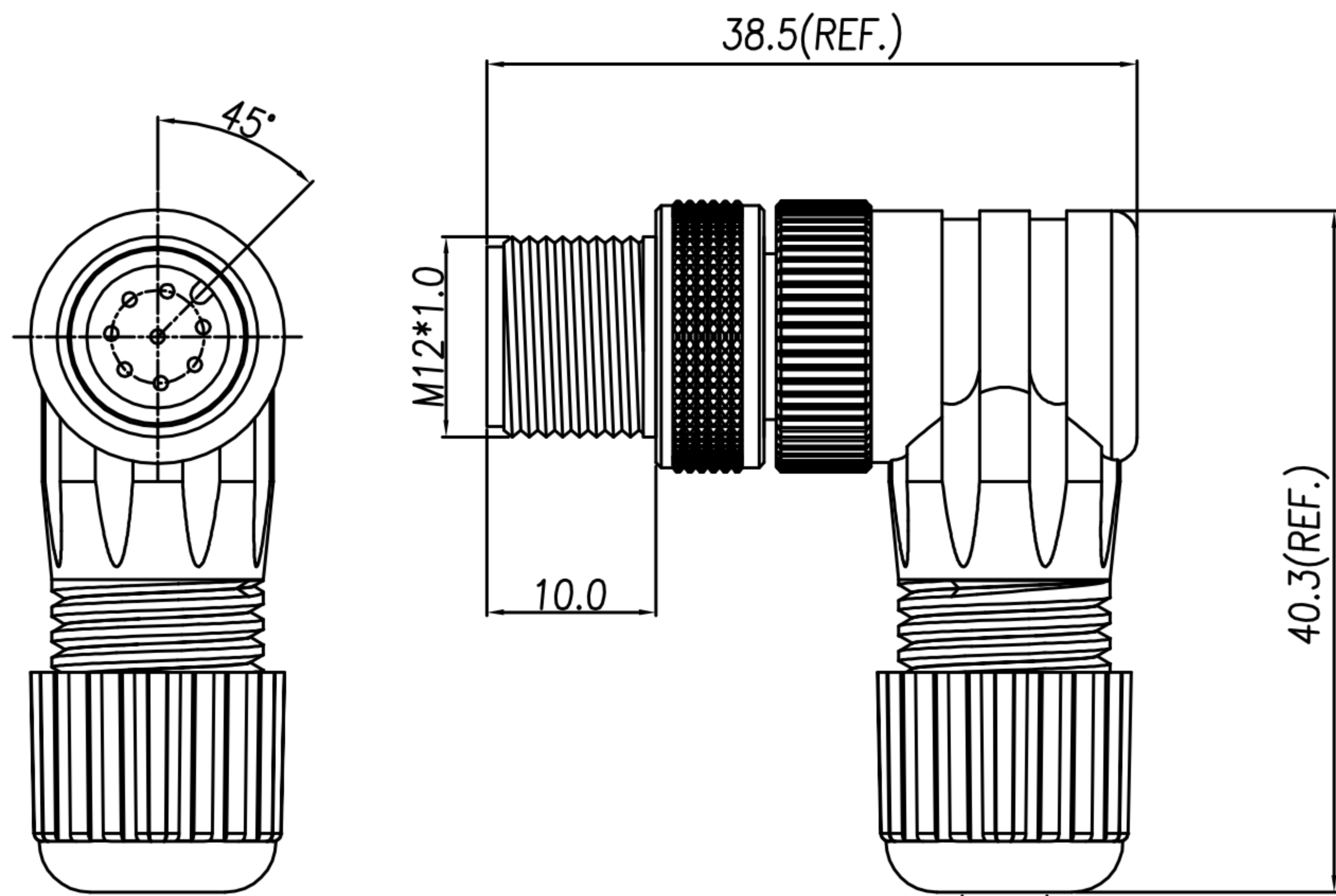
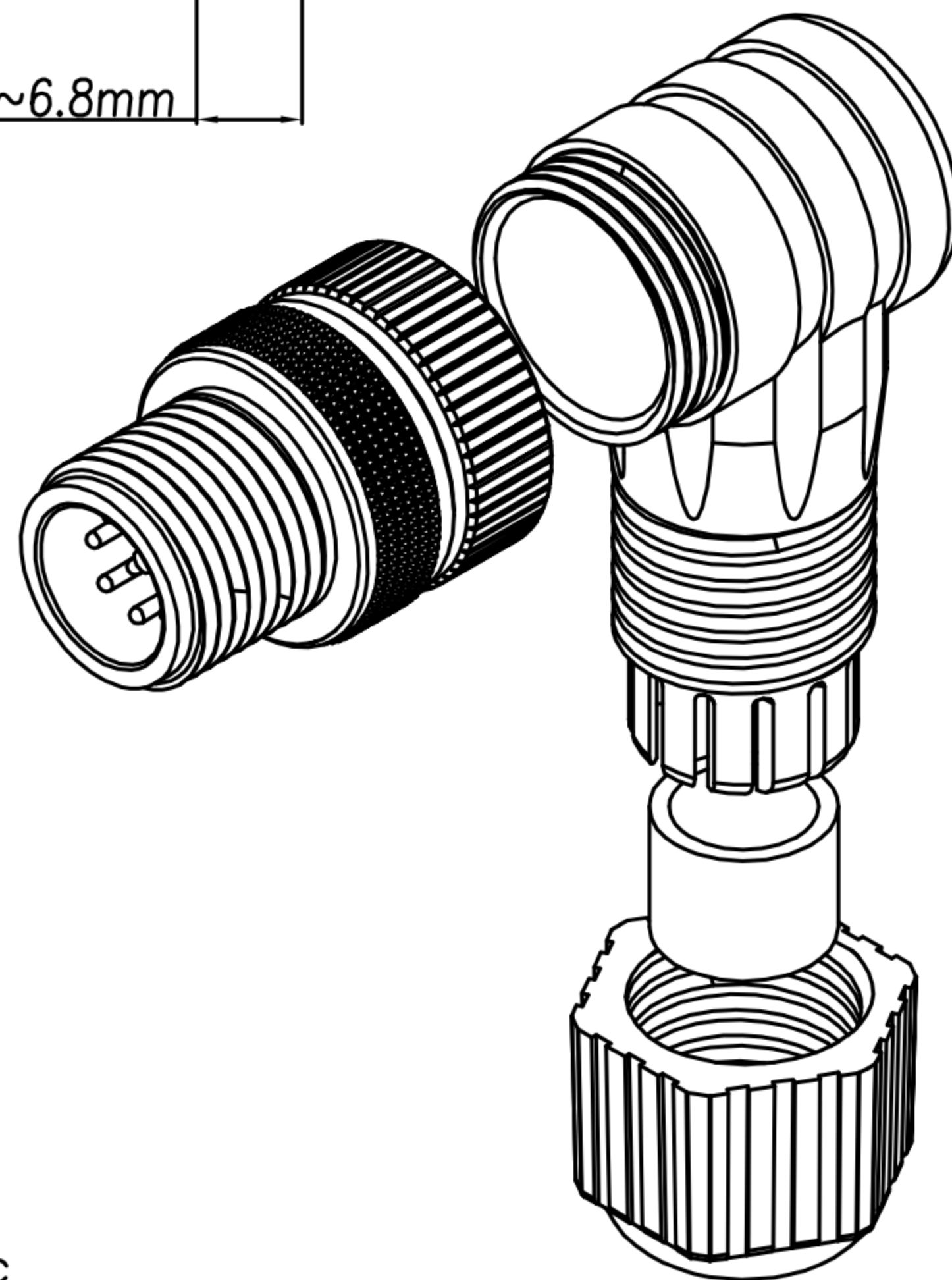


CUSTOMER DRAWING

REV.	DESCRIPTION	APPROVED BY	DATE	ECN NO.
△A	RELEASE	Ku Chou	19/07/19*	
△B				
△C				



RECOMMEND CABLE OD=5.0mm~6.8mm



1. MATERIAL :
 - 1-1. HOUSING : PA66 ; COLOR : BLACK.
 - 1-2. CONTACT : BRASS
 - 1-3. SHELL : BRASS
 - 1-4. NUT : BRASS
 - 1-5. O-RING : SILICONE
 - 1-6. CLAMP RING : PA66
 - 1-7. SEAL : SILICONE
 - 1-8. SEALING NUT : PA66
2. FINISH :
 - 2-1. CONTACT : SEE TABLE A
 - 2-2. NUT : NICKEL PLATED.
 - 2-3. SHELL : NICKEL PLATED.
3. ELECTRICAL SPECIFICATION :
 - 3-1. Rated current : 2A
 - 3-2. Rated voltage : 30V
 - 3-3. Water proof : IP67
4. Environmental :
 - 4-1. Operation Temperature : -40℃~105℃

TABLE A

0° 8PIN	45°	90°	135°	180°
WP-08M2-98-11	WP-08M2-99-11	WP-08M2-100-11	WP-08M2-101-11 WP-08M2-97-11	WP-08M2-102-11
0° 7PIN	45°	90°	135°	180°
0° 6PIN	45°	90°	135°	180°

WP-08M2-102-11	10u" GOLD PLATED/鍍金10u"
WP-08M2-101-11	10u" GOLD PLATED/鍍金10u"
WP-08M2-100-11	10u" GOLD PLATED/鍍金10u"
WP-08M2-99-11	10u" GOLD PLATED/鍍金10u"
WP-08M2-98-11	10u" GOLD PLATED/鍍金10u"
WP-08M2-97-11	30u" GOLD PLATED/鍍金30u"
PART No.	FINISH

DRAWN	Mark Kao	APP'D	Ku Chou	UNIT	mm	TOLERANCE		广东科斯达电子科技有限公司 GUANG DONG KE SI DA ELECTRONIC TECHNOLOGY CO., LTD.	TITLE	M12 8PIN(M) A-coded 90° Assembly type(塑膠本體)			SHEET	1
CHK'D	Ku Chou			SCALE	1:1	.x ±0.20 .xx ±0.10 .xxx ±0.05 .xxxx ±0.03 ANGULA ±1°			PART NO.	SEE TABLE A	DWG NO.	QC9672	VERSION	A