

CUSTOMER DRAWING

REV.	DESCRIPTION	APPVL. BY	DATE	ECN NO.
△A	RELEASE	Fido Weng	29/12/15'	
△B				
△C				

步驟一:

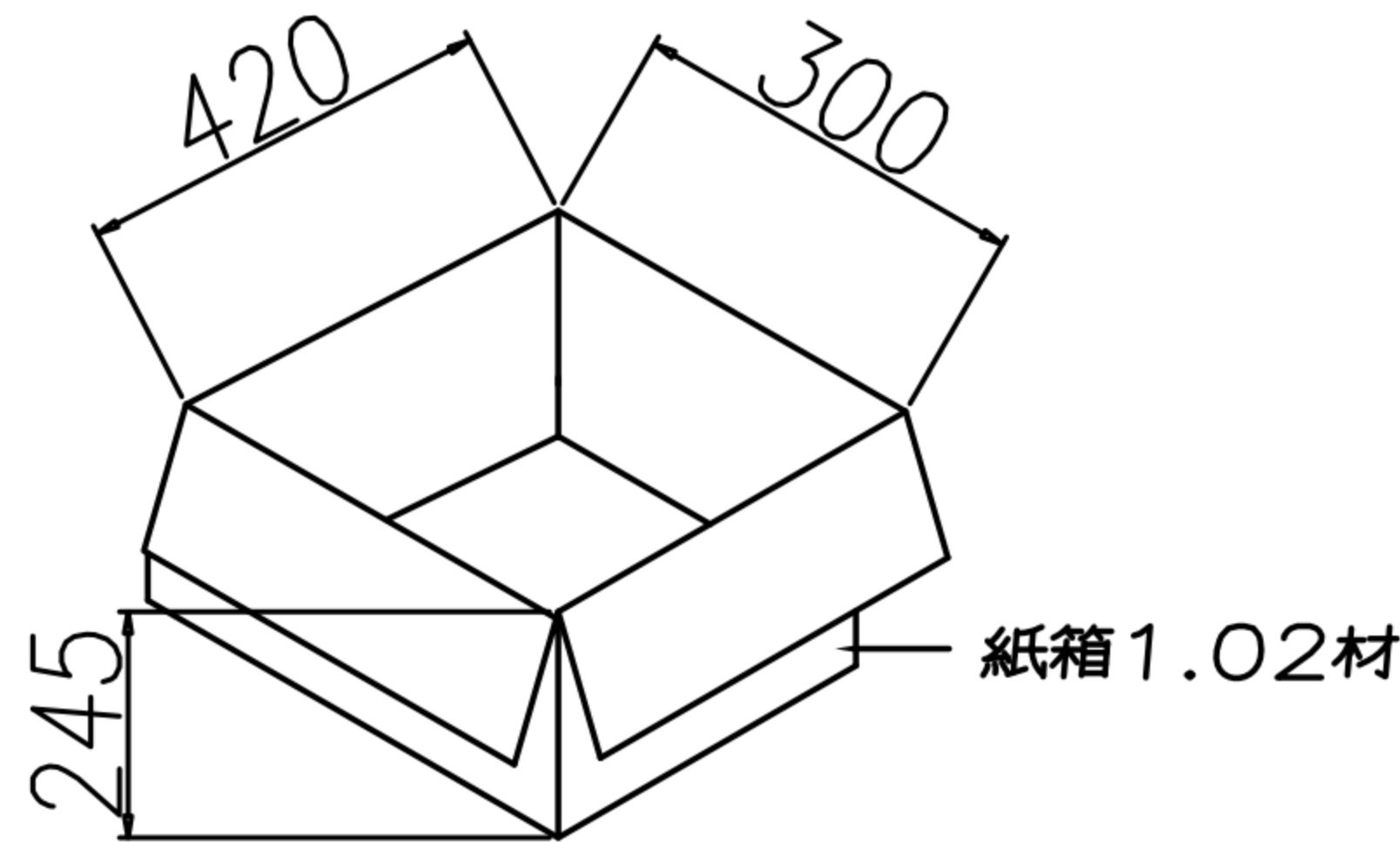
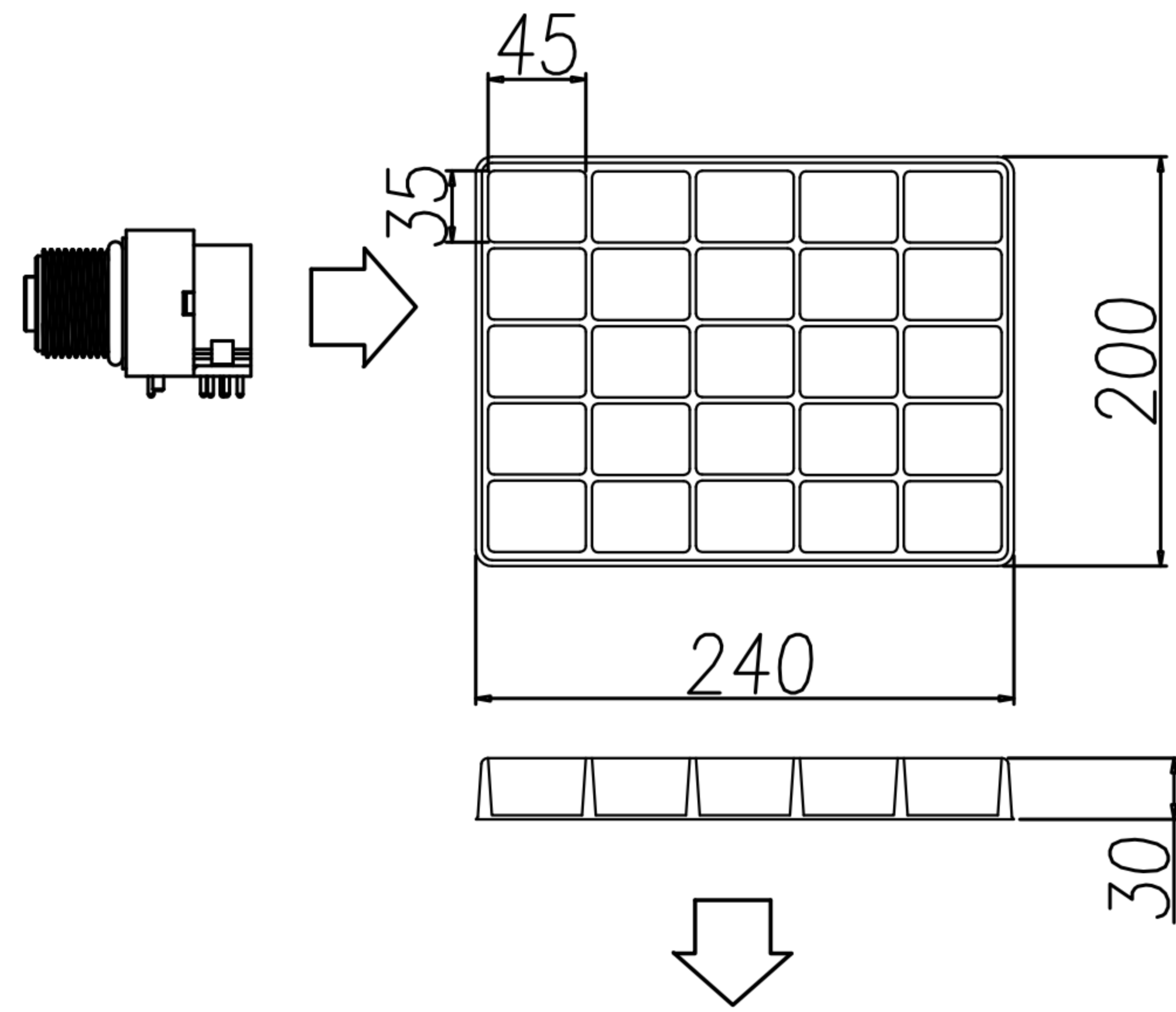
1. 將成品一一放入包裝盤內, 依同一方向置入.
2. 包裝方式, 如圖所示.
3. 一個包裝盤25pcs.
4. 裝滿盤後堆層至10盤止, 最上層為空盤做蓋子(共11盤)
5. 層疊11盤後, 在以膠膜固定

步驟二:

1. 一個紙箱可以裝20個包裝盤.
2. 每盤25pcs, 每箱500pcs.
3. 將包裝盤放紙箱中, 後封箱.

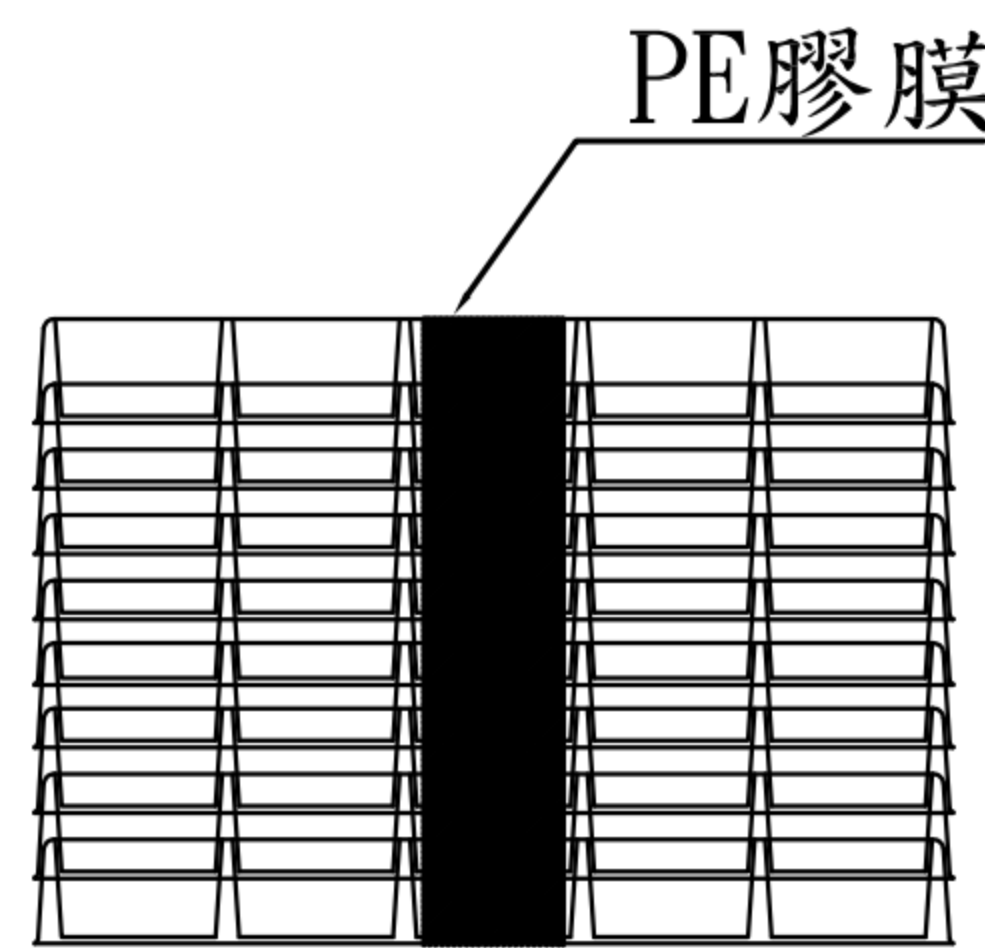
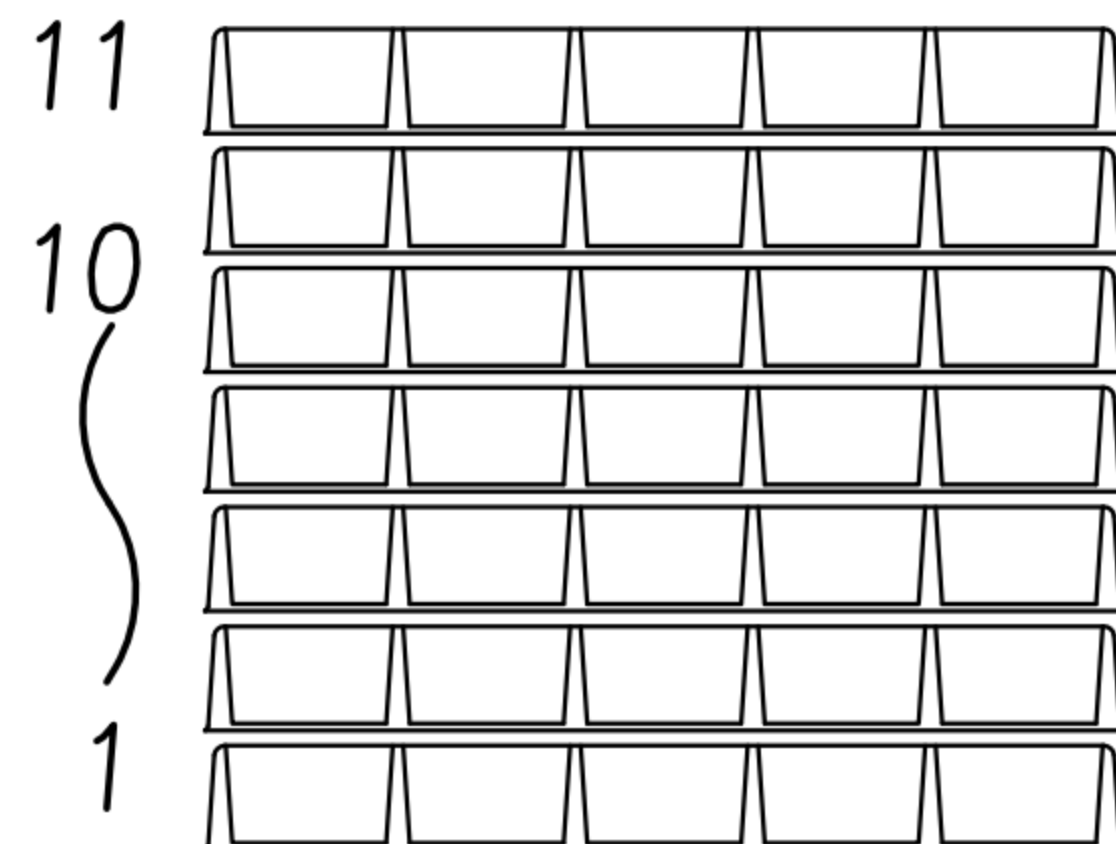
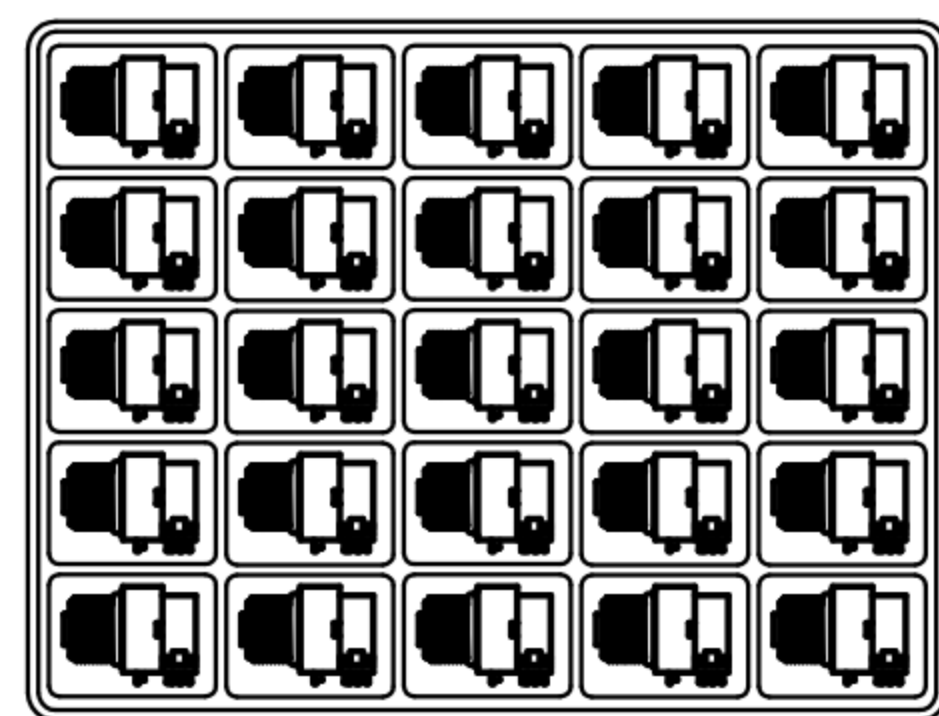
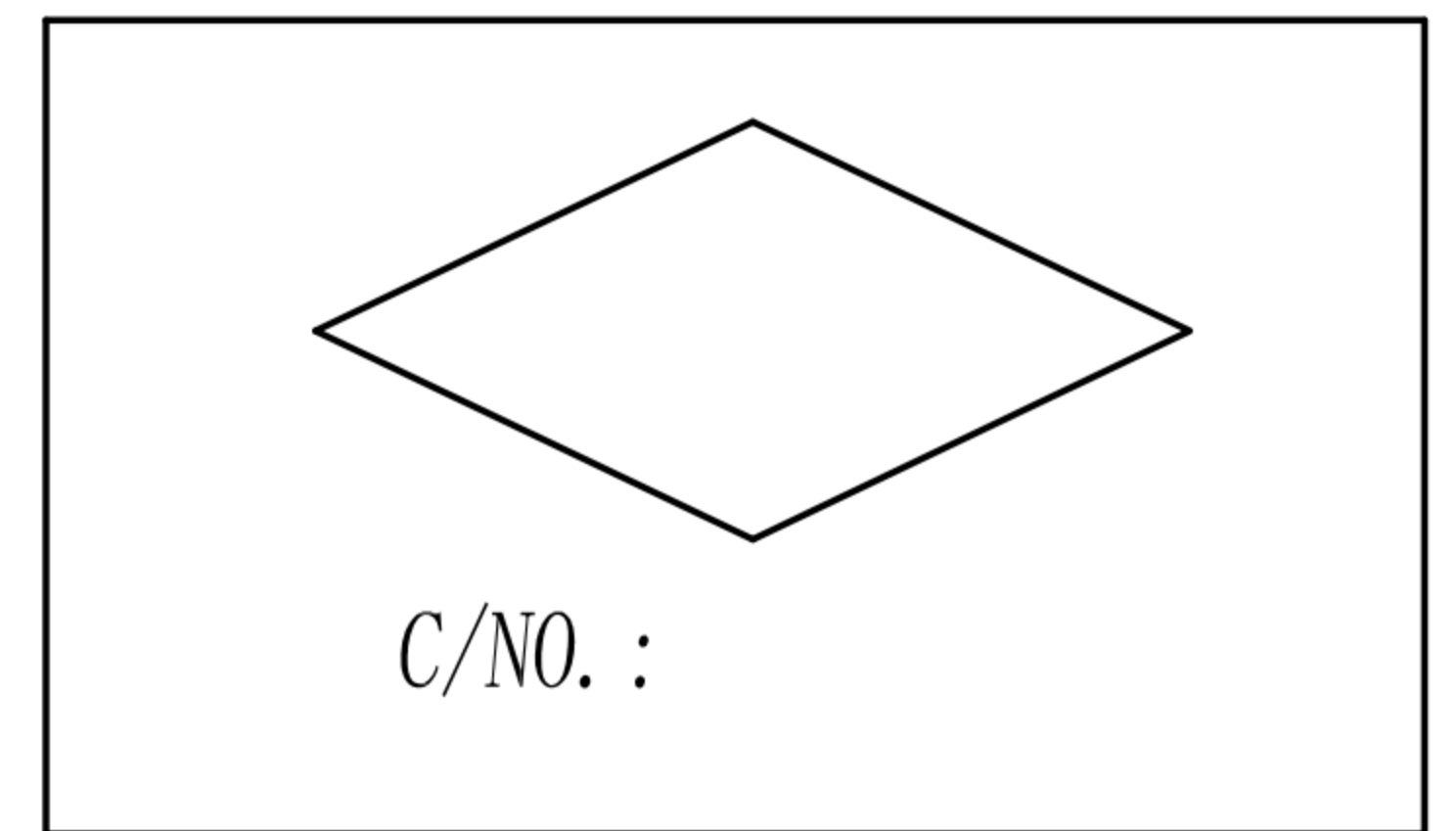
步驟三:

1. 用膠帶將紙箱封實.
2. 將標籤貼於紙箱上.



標籤處

ITEM NO:	
QTY:	PGS
N. W.:	KG
G. W.:	KG
MEAS:	



實際層疊(含上層蓋為11層)

NOTE:

1. 若有未裝滿之零數箱, 必須以緩衝材塞滿.
2. 在搬運過程中要輕拿輕放.
3. 載運輸中不可堆放過多, 不可有重壓現象.
4. PE膠膜纏繞時不可緊綁.
5. 紙箱內層需裝防水袋.

DRAW	Yeh Chou	APPVL	Emily Suen	UNIT	mm	TOLERANCE		广东科斯达电子科技有限公司 GUANG DONG KE SI DA ELECTRONIC TECHNOLOGY CO., LTD.	TITLE	WATERPROOF M12*1.0 (F) 90度板端			SHEET	3/3
CHECK	Emily Suen			SCALE	1:1	.x ±0.20 .xx ±0.10 .xxx ±0.05 .xxxx ±0.03 ANGULA ±1°			PART NO.	DWG NO.	QC6536	VERSION	A	

CUSTOMER DRAWING

REV.	DESCRIPTION	APPROVED BY	DATE	ECN NO.
A	RELEASE	Fido Weng	22/12/08'	
B				
C				

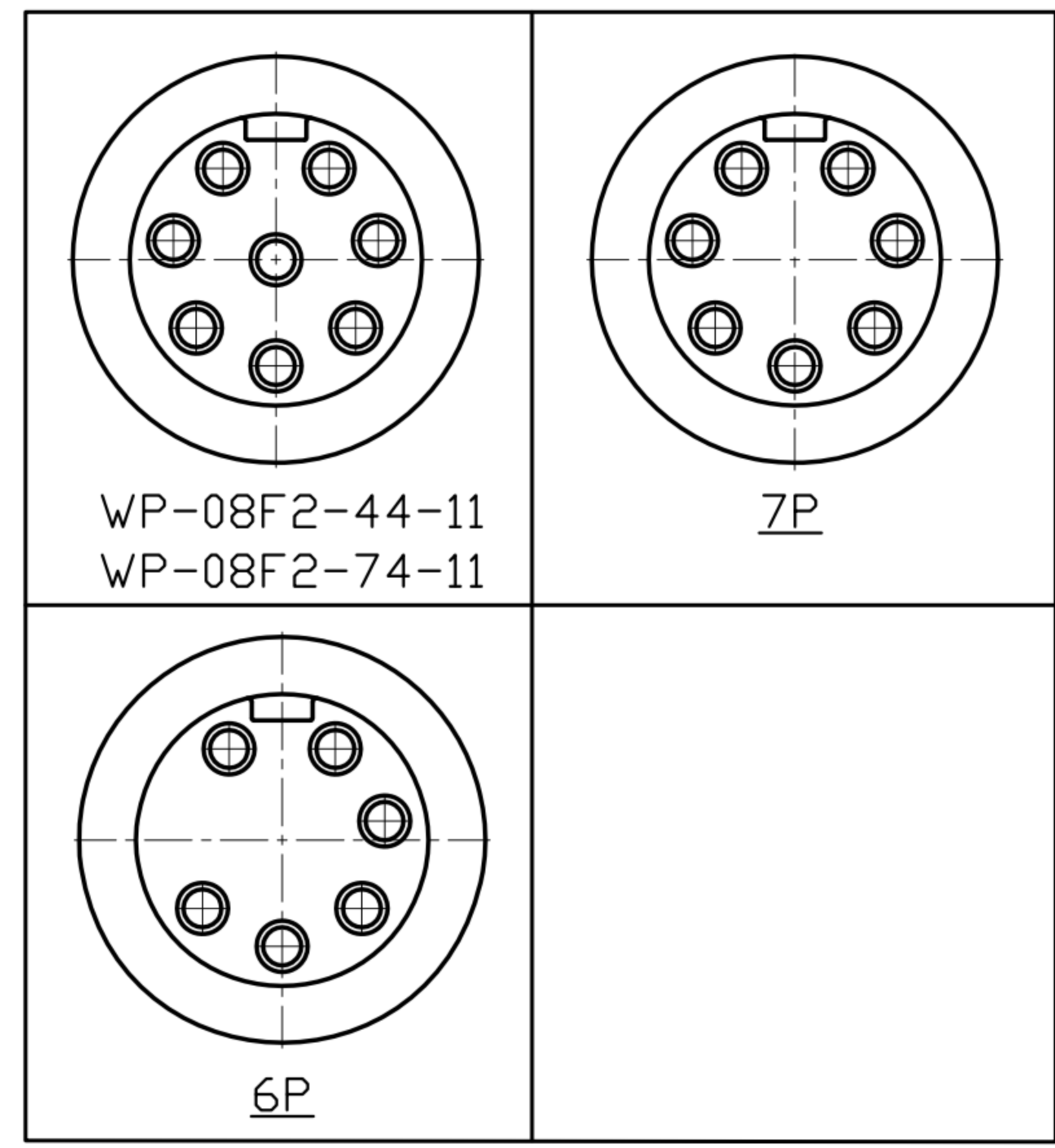
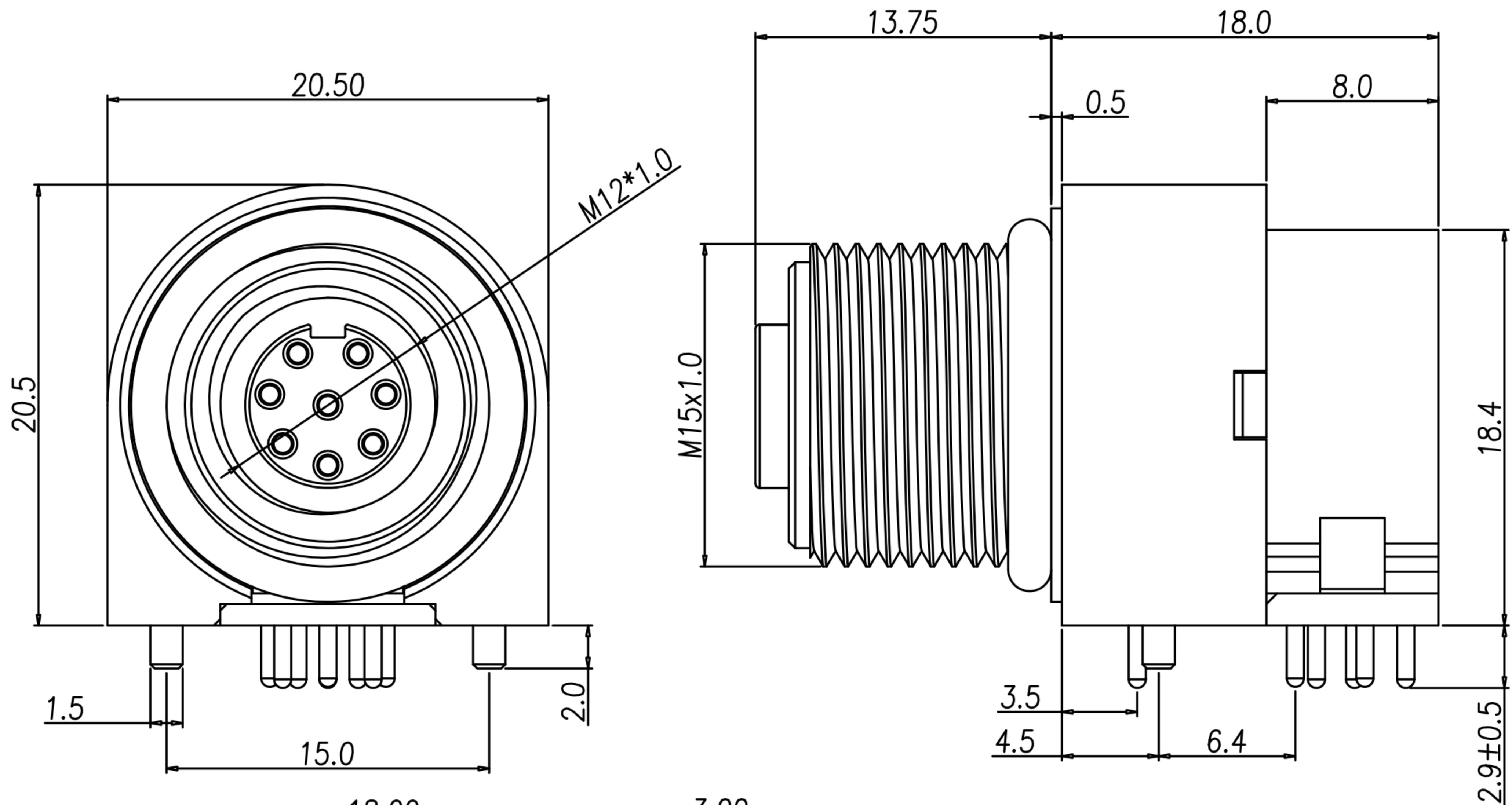
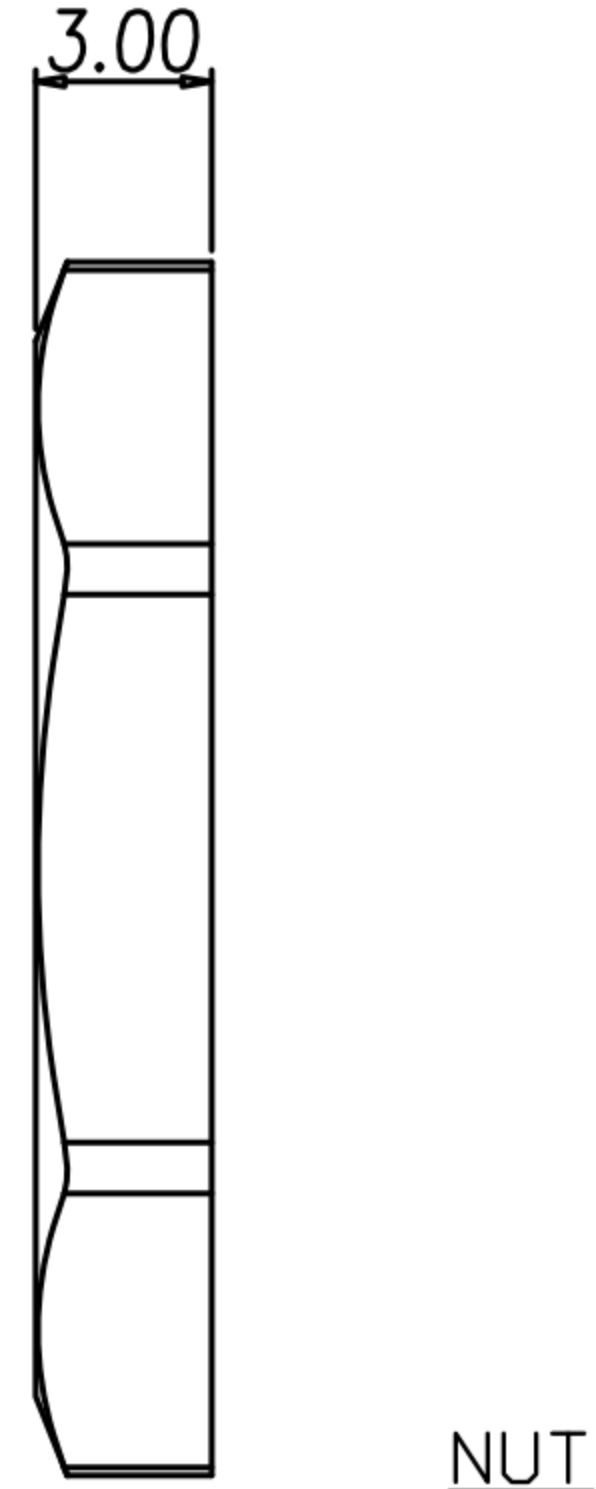
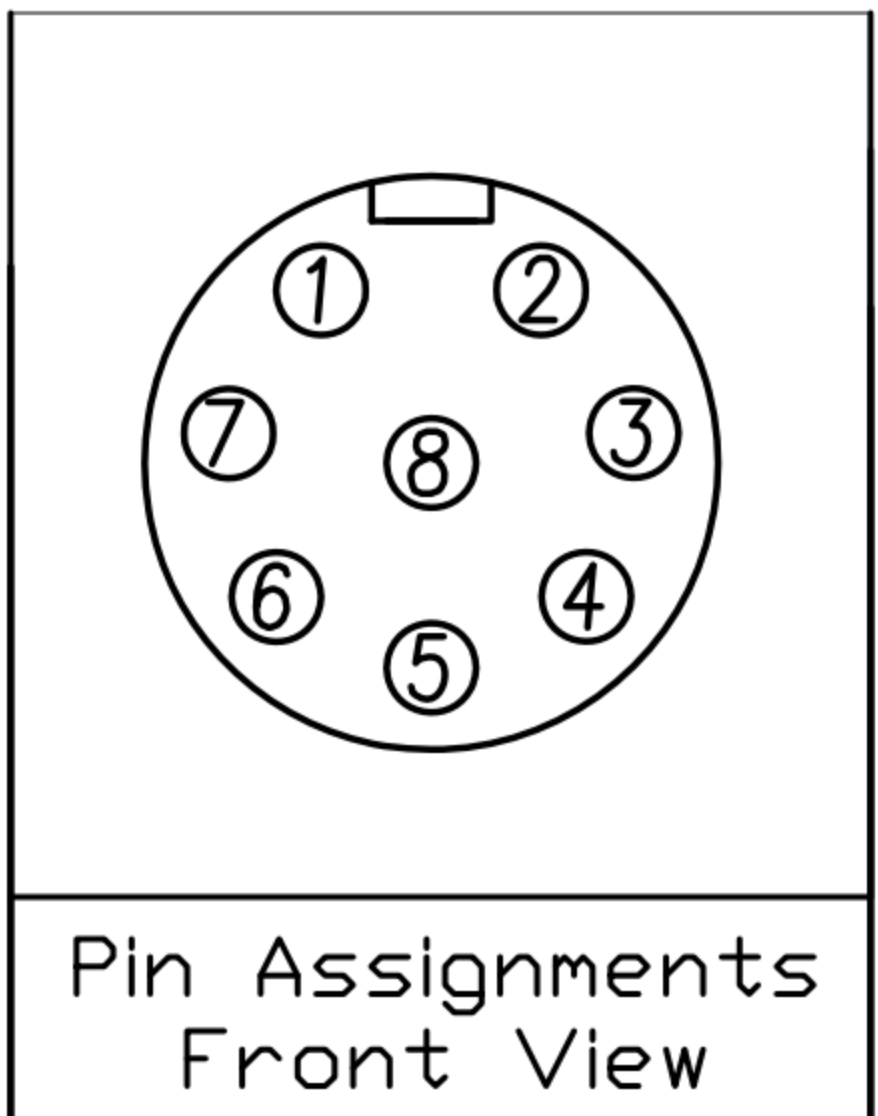


TABLE A

PART NO	FINISH
WP-08F2-74-11	GOLD FLISH
WP-08F2-44-11	GOLD 10u"

NOTE:

- MATERIAL :
 - 1-1. HOUSING : PBT UL94V-0 ; COLOR : BLACK
 - 1-2. CONTACT : BRASS
 - 1-3. NUT : BRASS
 - 1-4. SHELL : BRASS
 - 1-5. O-RING : EPDM ; COLOR : BLACK
 - 1-6. BACK HOUSING : PBT UL94V-0 ; COLOR : BLACK
 - 1-7. DOWN HOUSING : PBT UL94V-0 ; COLOR : BLACK
- FINISH :
 - 2-1. CONTACT : SEE TABLE A
 - UNDER PLATE : NICKEL
 - 2-2. NUT : NICKEL 80u"~100u" ON OVER ALL
 - 2-3. SHELL : STAIN NICKEL 80u"~100u" ON OVER ALL
- ELECTRICAL SPECIFICATION :
 - 3-1. Rated current : 2A
 - 3-2. Rated Voltage : 30V
 - 3-3. Water proof: IPX7
- Environmental :
 - 4-1. Operation Temperature : -40~85'

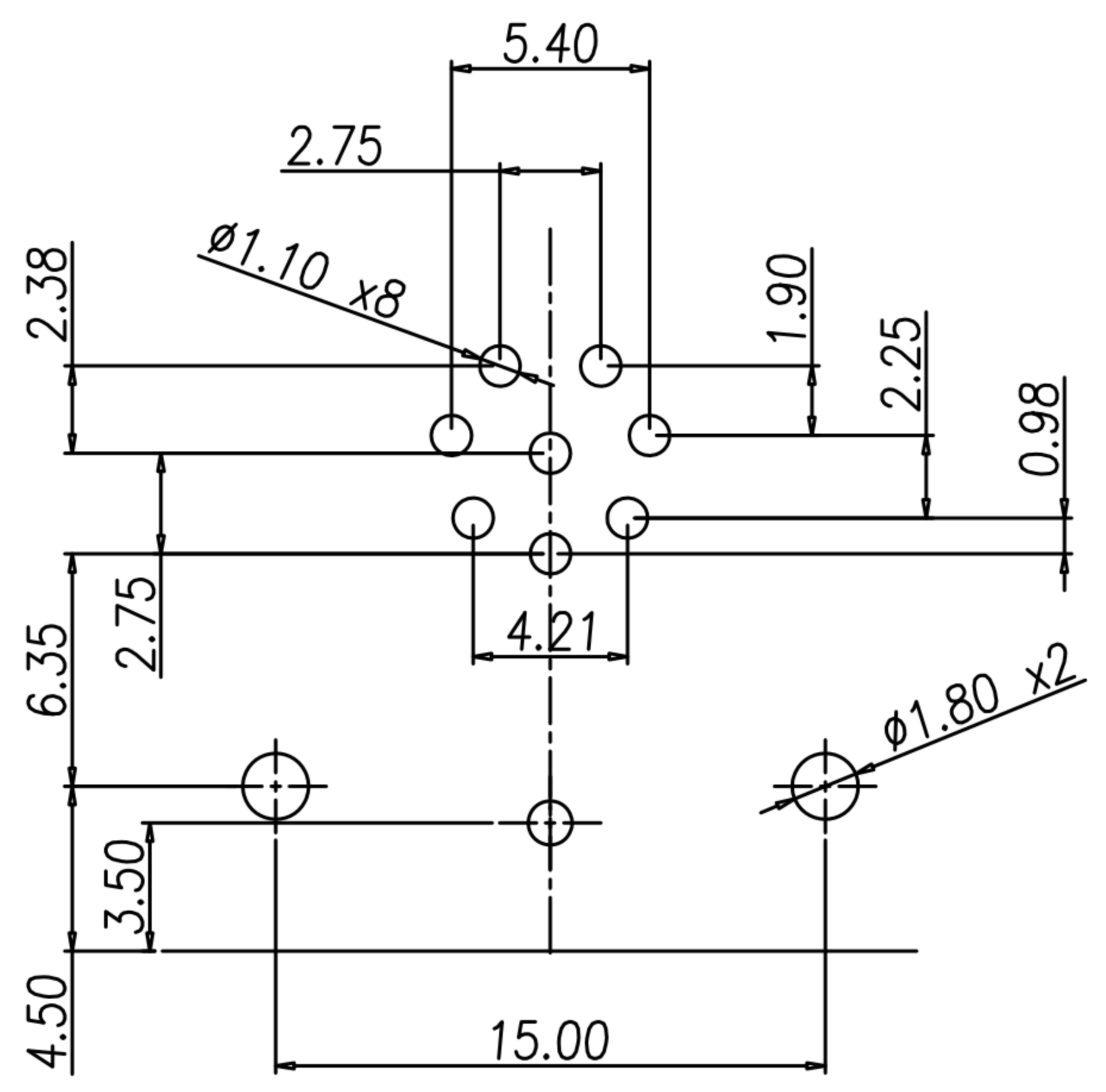


DRAWN	Yeh Chou	APPEND	Emily Suen	UNIT	mm	TOLERANCE		广东科斯达电子科技有限公司 GUANG DONG KE SI DA ELECTRONIC TECHNOLOGY CO., LTD.	TITLE	WATERPROOF M12*1.0 (F) 90度板端			SHEET	1/3
CHK'D	Emily Suen			SCALE	1:1	.x ±0.20 .xx ±0.10 .xxx ±0.05 .xxxx ±0.03 ANGULA ±1°			PART NO.	SEE TABLE A	DWG NO.	QC6536	VERSION	A

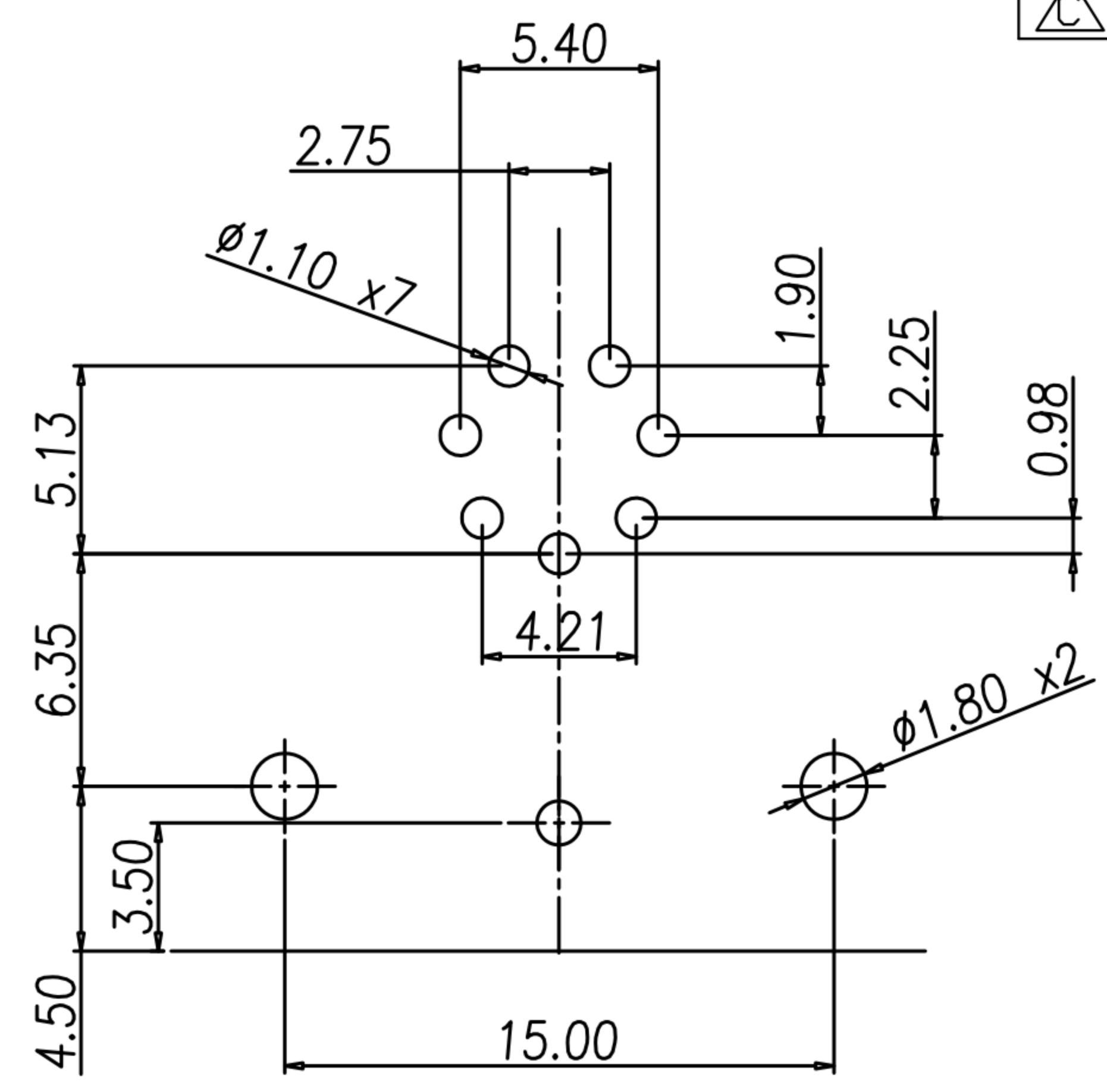
A B C D E F

CUSTOMER DRAWING

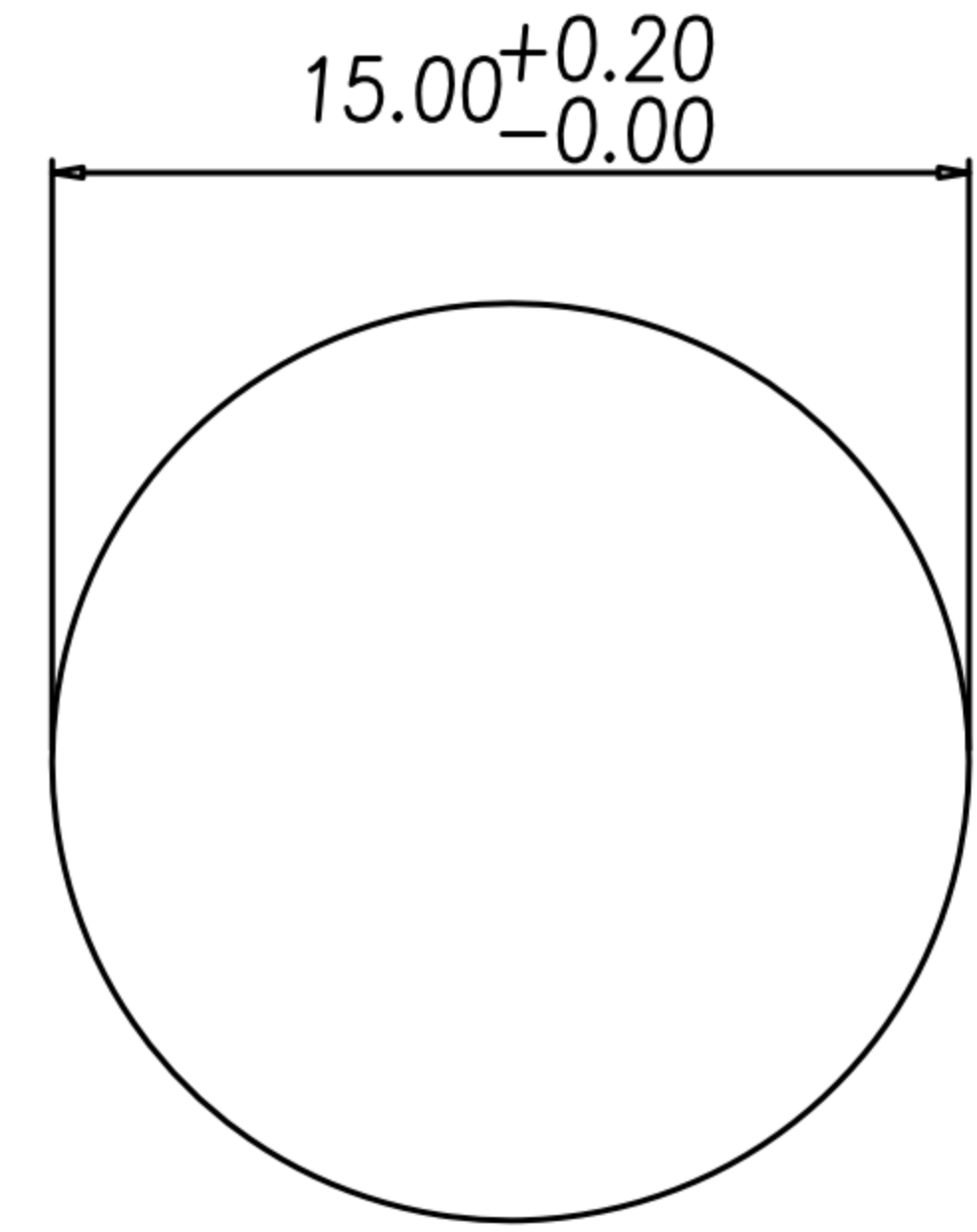
REV.	DESCRIPTION	APPROVED BY	DATE	ECN NO.
△A				
△B				
△C				



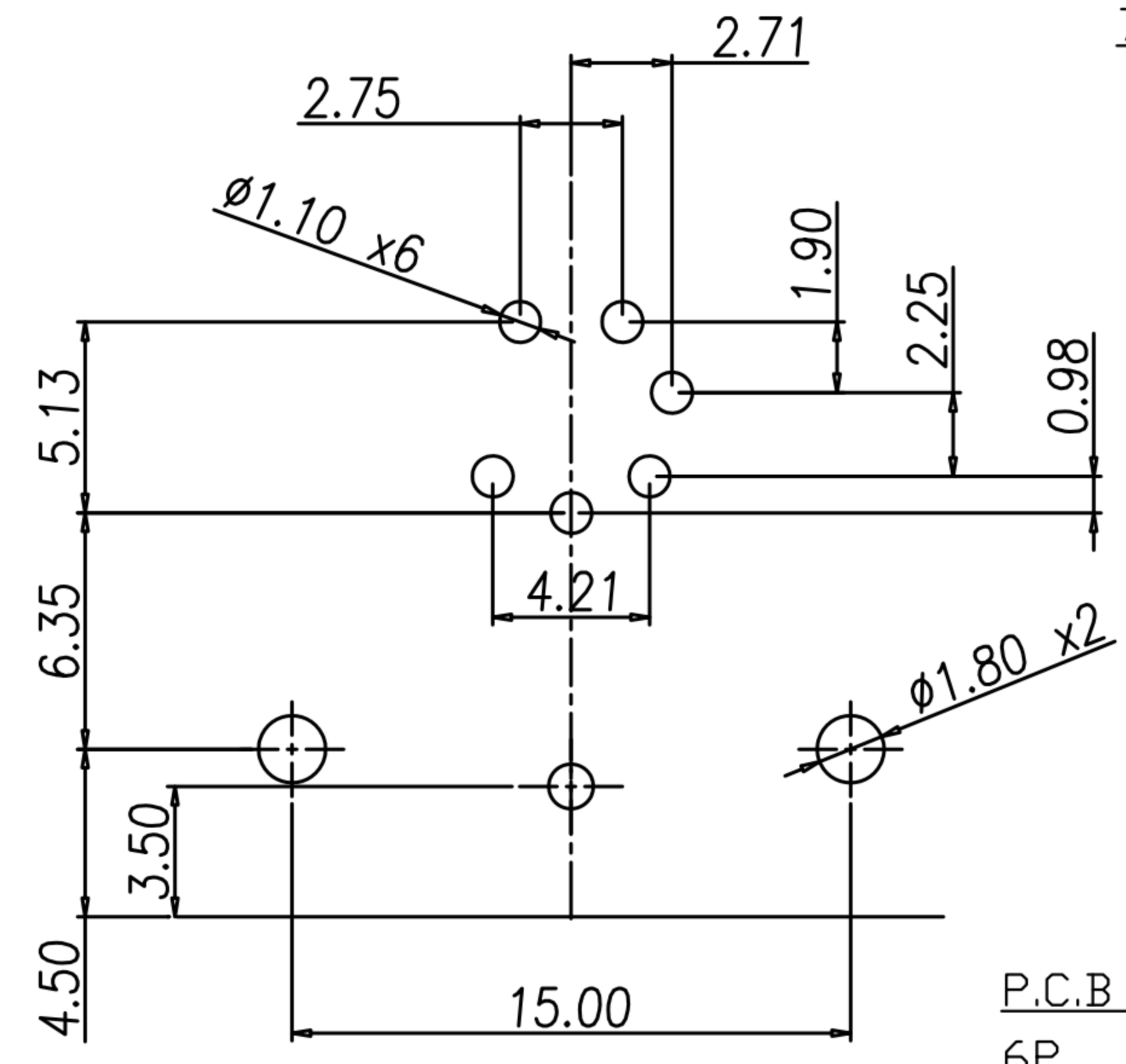
P.C.B LAYOUT
8P



P.C.B LAYOUT
7P



PANEL CUT-OUT



P.C.B LAYOUT
6P

DRAWN	Yeh Chou	APPEND	Emily Suen	UNIT	P.C.B	TOLERANCE		广东科斯达电子科技有限公司 GUANG DONG KE SI DA ELECTRONIC TECHNOLOGY CO., LTD.	TITLE	WATERPROOF M12*1.0 (F) 90度板端			SHEET	2/3
CHK'D	Emily Suen			SCALE	1:1	.xx ±0.10 .xxx ±0.05 .xxxx ±0.03 ANGULA ±1°			PART NO.	SEE TABLE A	DWG NO.	QC6536	VERSION	A