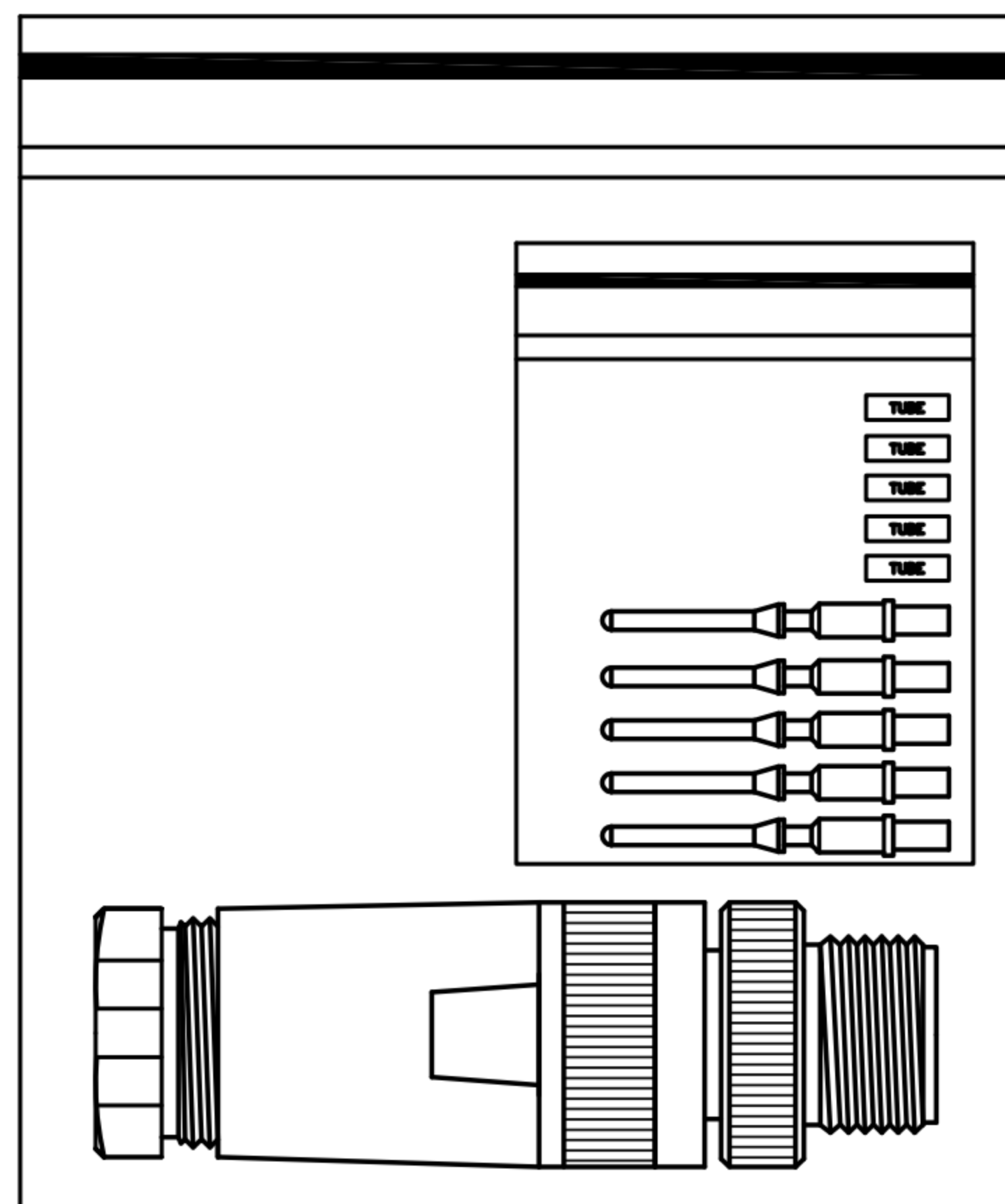
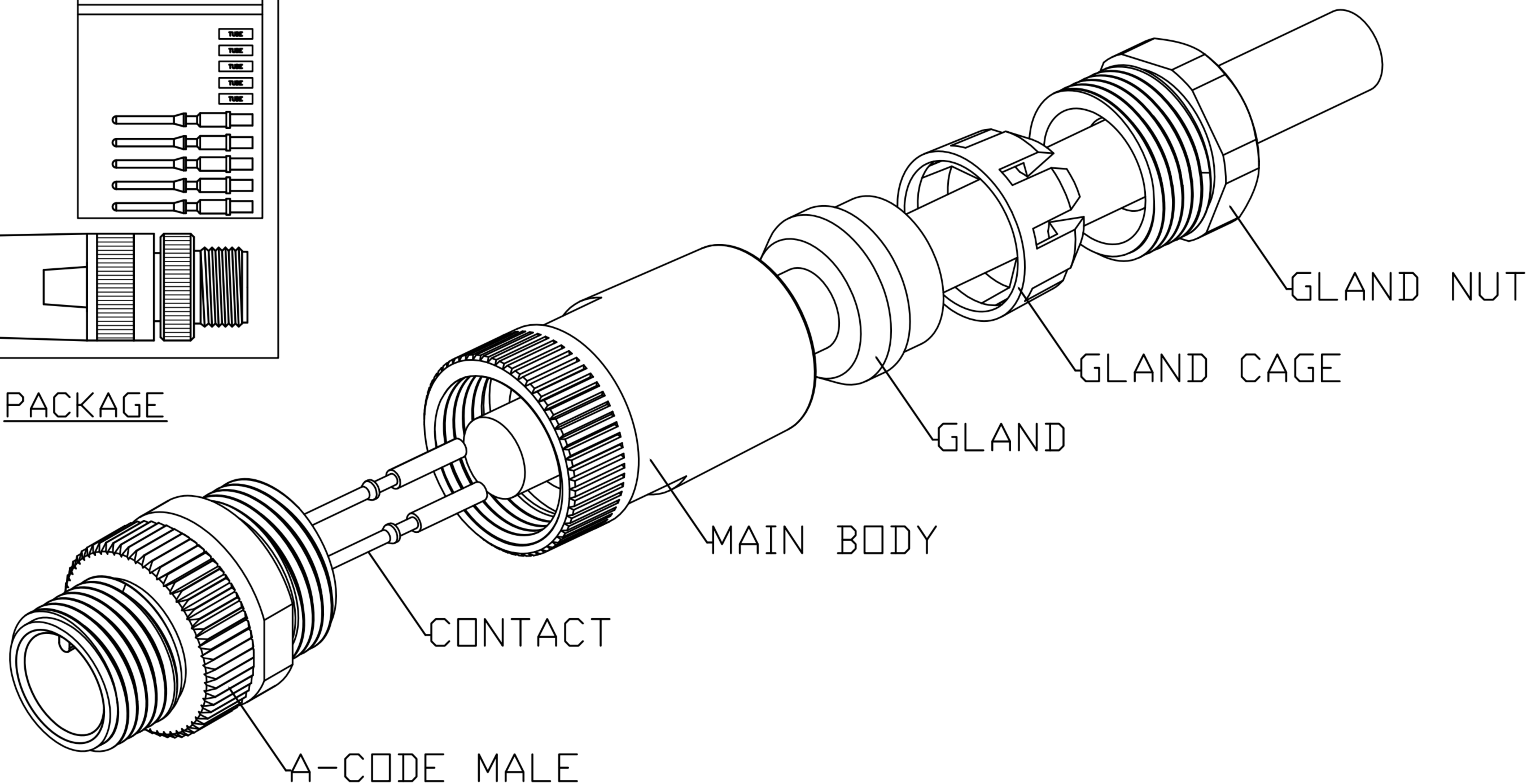


CUSTOMER DRAWING

REV.	DESCRIPTION	APPROVED BY	DATE	ECN NO.
△A	RELEASE	Fido Weng	10/01/11'	
△B	ADD TABLE A	Ku Chou	25/05/18'	
△C				



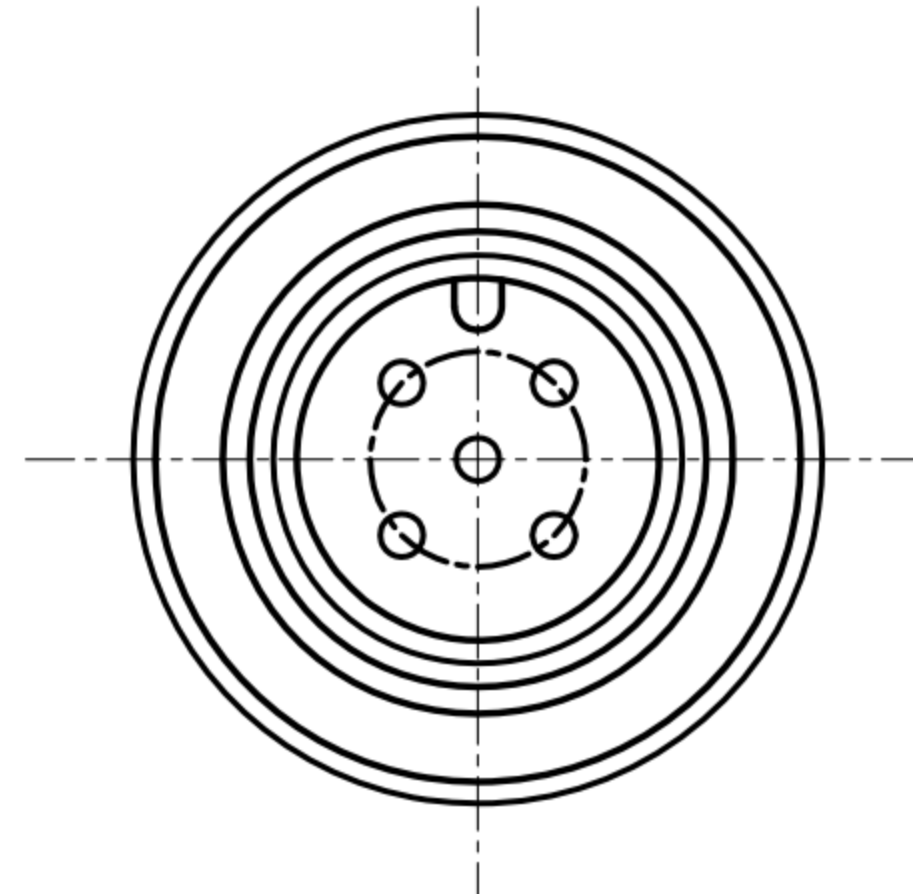
PACKAGE



DRAWN	Emily Suen	APP'D	Ku Chou	UNIT	mm	TOLERANCE		广东科斯达电子科技有限公司 GUANG DONG KE SI DA ELECTRONIC TECHNOLOGY CO., LTD.	TITLE	M12 (M) A-CODE CRIMP PIN TYPE			SHEET	2
CHK'D	Ku Chou			SCALE	1:1	.x ±0.20 .xx ±0.10 .xxx ±0.05 .xxxx ±0.03 ANGULA ±1°			PART NO.	SEE TABLE A	DWG NO.	QC7499	VERSION	B

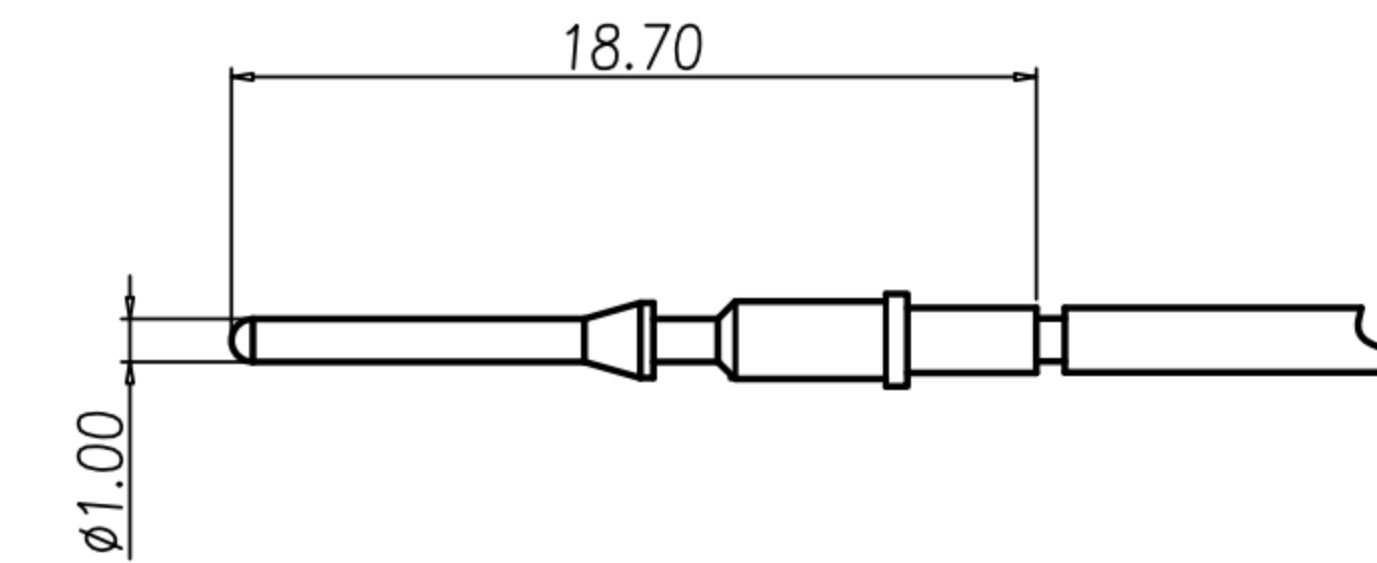
# CUSTOMER DRAWING

REV.	DESCRIPTION	APPROVED BY	DATE	ECN NO.
A	RELEASE	Fido Weng	10/01/11'	
B	ADD TABLE A	Fido Weng	25/05/18'	
C				

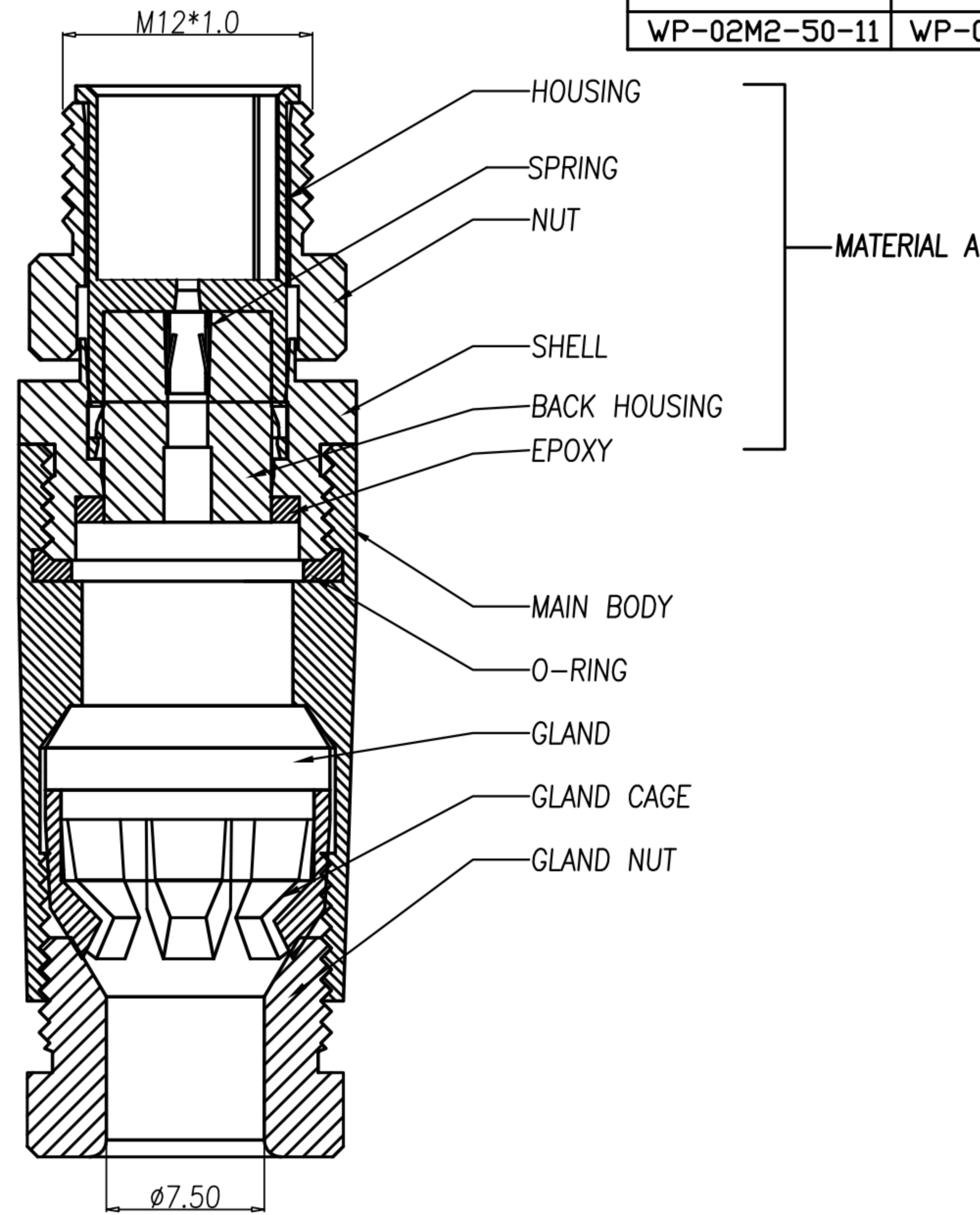
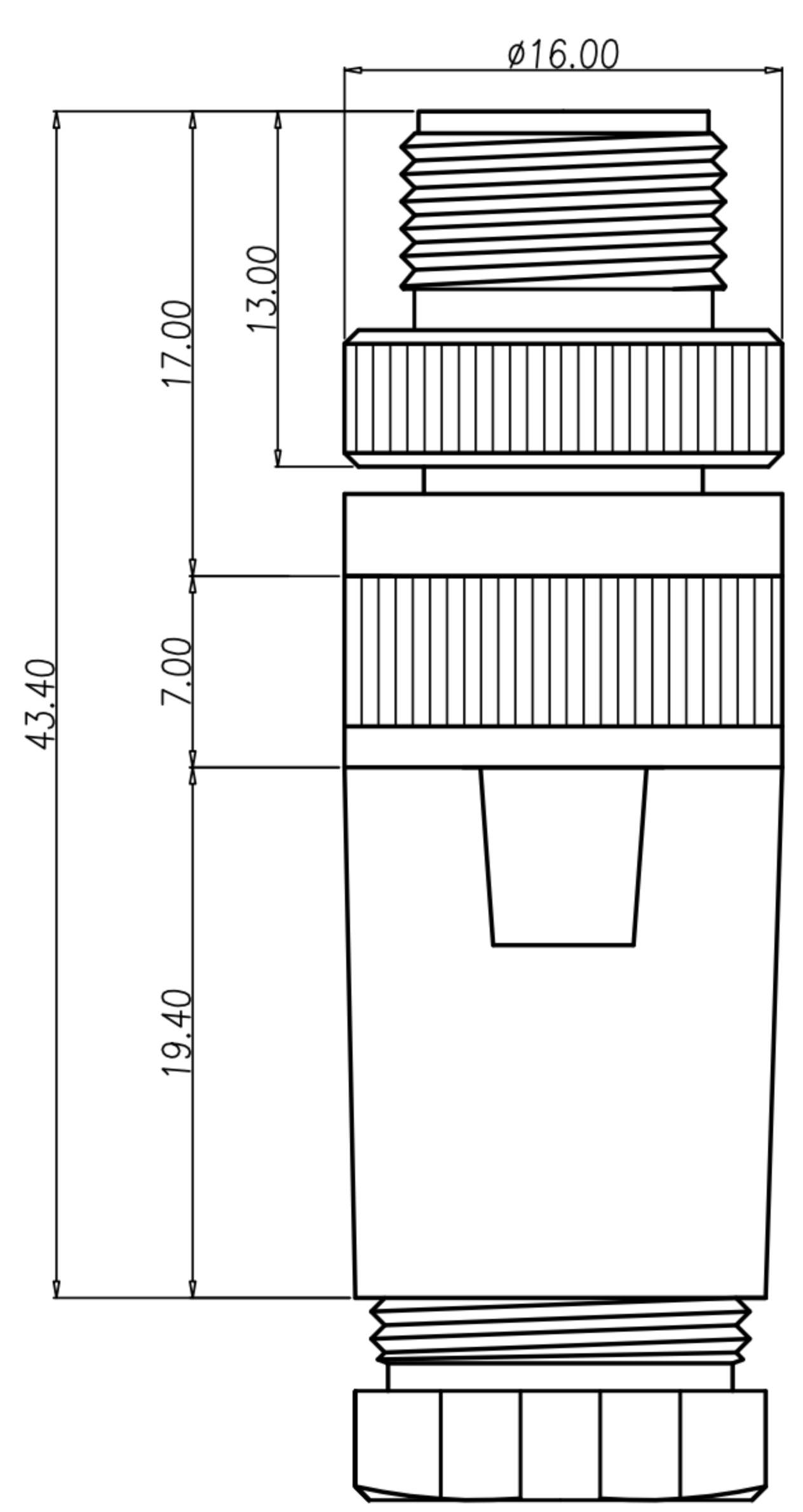


**TABLE A**

WP-04M2-154-11	WP-05M2-110-11
WP-02M2-50-11	WP-03M2-85-11



CONTACT ASS'Y FOR 24AWG~28AWG



- MATERIAL :
  - MATERIAL A :
    - HOUSING : PBT UL94V-0 ; COLOR : BLACK.
    - CONTACT : BRASS
    - NUT : ALUMINIUM ALLOY
    - SHELL : ALUMINIUM ALLOY
    - BACK HOUSING : PBT UL94V-0 ; COLOR : BLACK.
    - SPRING : BERYLLIUM COPPER
  - MAIN BODY : ALUMINIUM ALLOY
  - GLAND : SILICONE ; COLOR : BLACK.
  - GLAND CAGE : POM ; COLOR : BLACK.
  - GLAND NUT : ALUMINIUM ALLOY
  - O-RING : SILICONE ; COLOR : BLACK
- FINISH :
  - MATERIAL A :
    - CONTACT : GOLD FLASH MICRO INCHES MIN.  
UNDER PLATE : NICKEL.
    - NUT : SATIN NICKEL PLATED.
    - SHELL : SATIN NICKEL PLATED.
    - SPRING : NICKEL PLATED.
  - MAIN BODY : SATIN NICKEL PLATED.
  - GLAND NUT : SATIN NICKEL PLATED.
- ELECTRICAL SPECIFICATION :
  - Rated current : 4A
  - Rated voltage : 2~4PIN 250V;5PIN 60V
  - Water proof : IPX7
- Environmental :
  - Operation Temperature : -20℃~85℃

DRAWN	Emily Suen	APP'D	Ku Chou	UNIT	mm	TOLERANCE		TITLE	M12 (M) A-CODE CRIMP PIN TYPE			SHEET	
CHK'D	Ku Chou			SCALE	1:1	.x ±0.20 .xx ±0.10 .xxx ±0.05 .xxxx ±0.03 ANGULA ±1°			PART NO.	SEE TABLE A	DWG NO.	QC7499	VERSION
广东科斯达电子科技有限公司 GUANG DONG KE SI DA ELECTRONIC TECHNOLOGY CO., LTD.												1/2	
													B