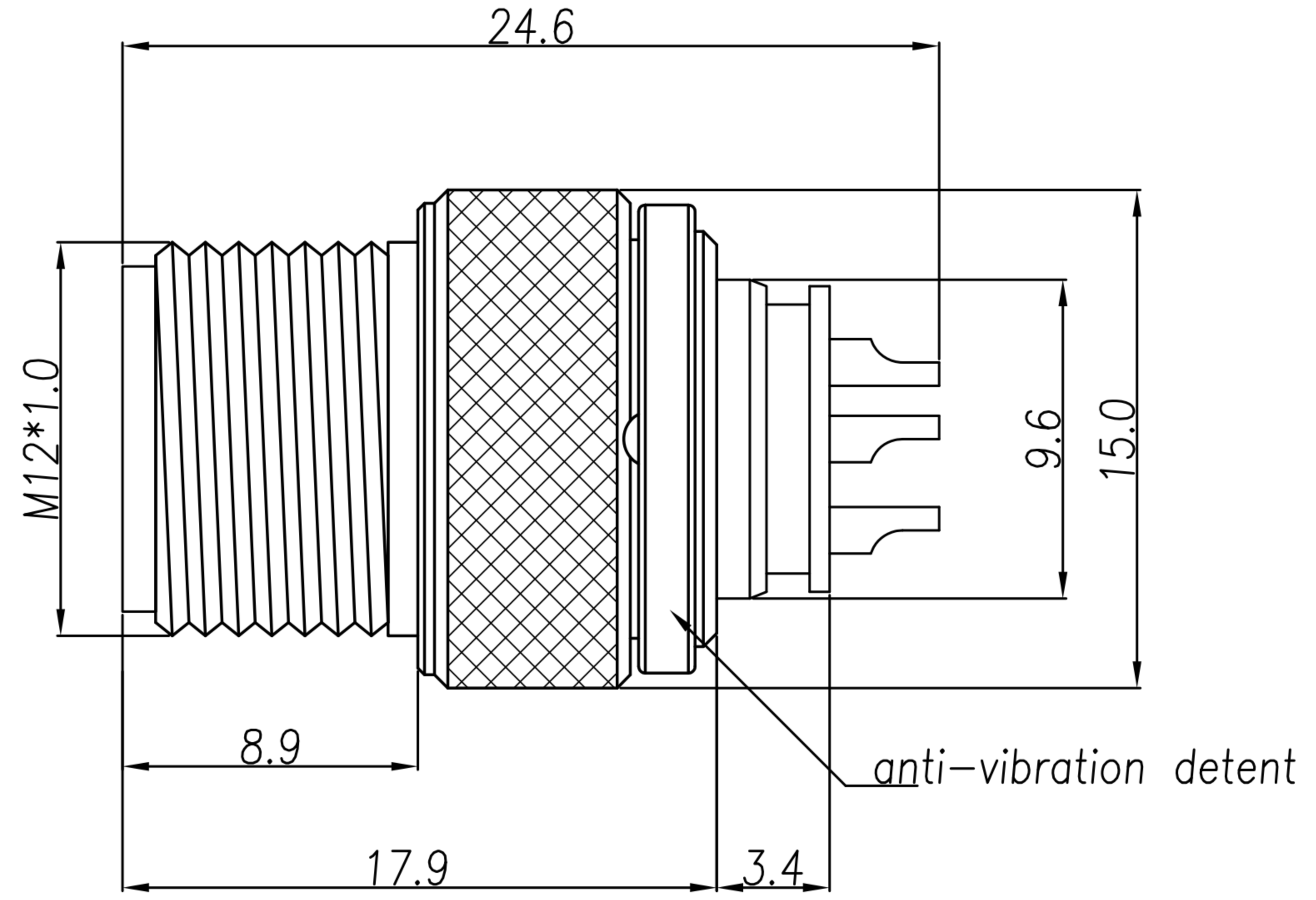
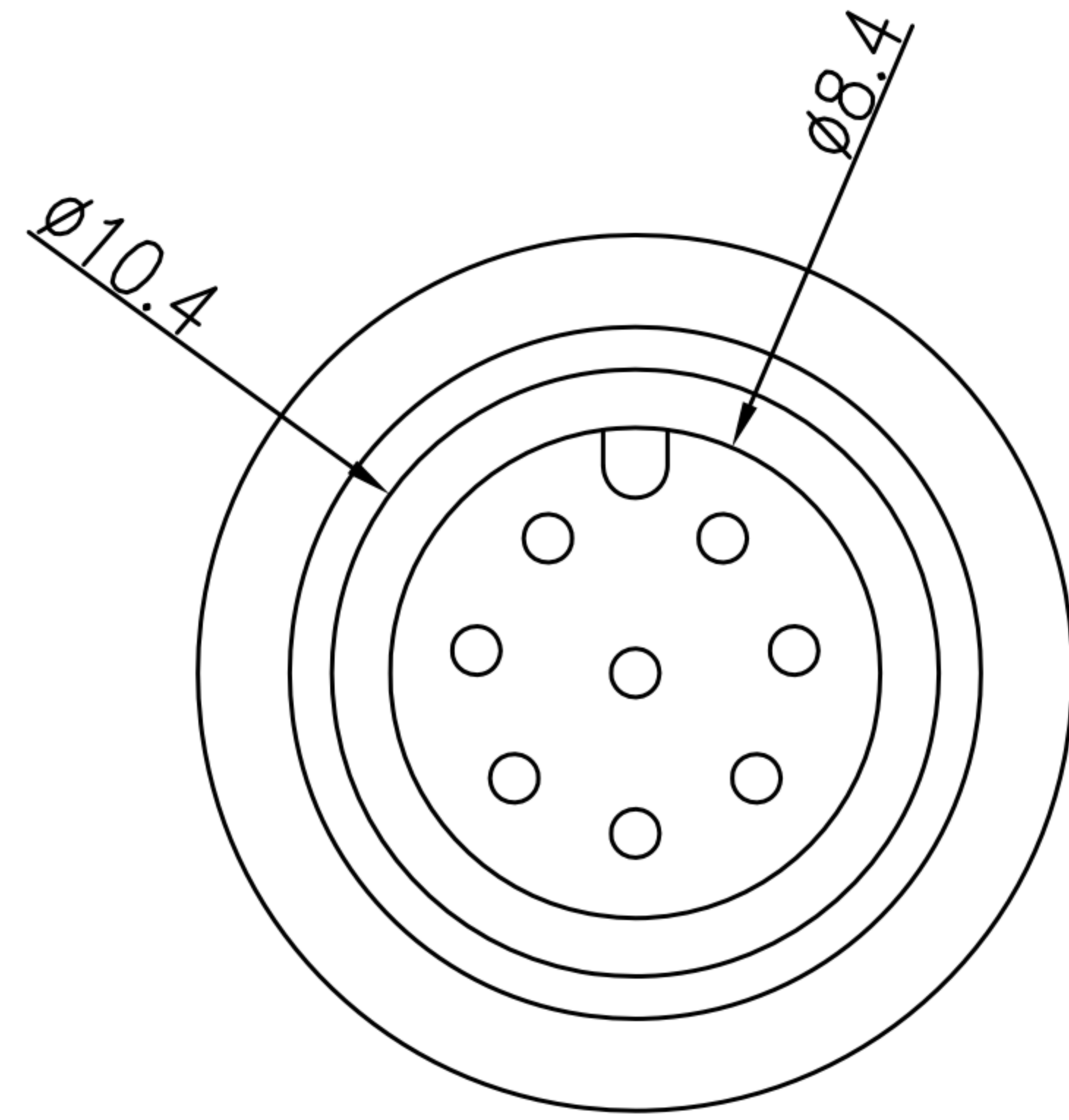


CUSTOMER DRAWING

REV.	DESCRIPTION	APPROVED BY	DATE	ECN NO.
△A	RELEASE	LED	22/03/23'	
△B				
△C				



1. MATERIAL :
  - 1-1. HOUSING : PA66 ; COLOR : BLACK
  - 1-2. CONTACT : BRASS
  - 1-3. NUT : BRASS
2. FINISH :
  - 2-1. CONTACT : GOLD PLATED OVER ALL
  - 2-2. SHELL : NICKEL PLATED
3. ELECTRICAL SPECIFICATION :
  - 3-1. Rated current : 2A
  - 3-2. Rated Voltage : 30V
  - 3-3. Water proof : IP68
4. Environmental :
  - 4-1. Operation Temperature : -40℃~105℃

DRAWN	LED	APP'D	Emily Suen	UNIT	mm	TOLERANCE		广东科斯达电子科技有限公司 GUANG DONG KE SI DA ELECTRONIC TECHNOLOGY CO., LTD.	TITLE	防水頭 M12 8PIN(M)A-CODE 止滑焊線式			SHEET	1/1
CHK'D	Emily Suen			SCALE	1:1	.x ±0.20 .xx ±0.10 .xxx ±0.05 .xxx ±0.01 ANGULA ±1°			PART NO.	WP-08M2-134-11	DWG NO.	QC10631	VERSION	A