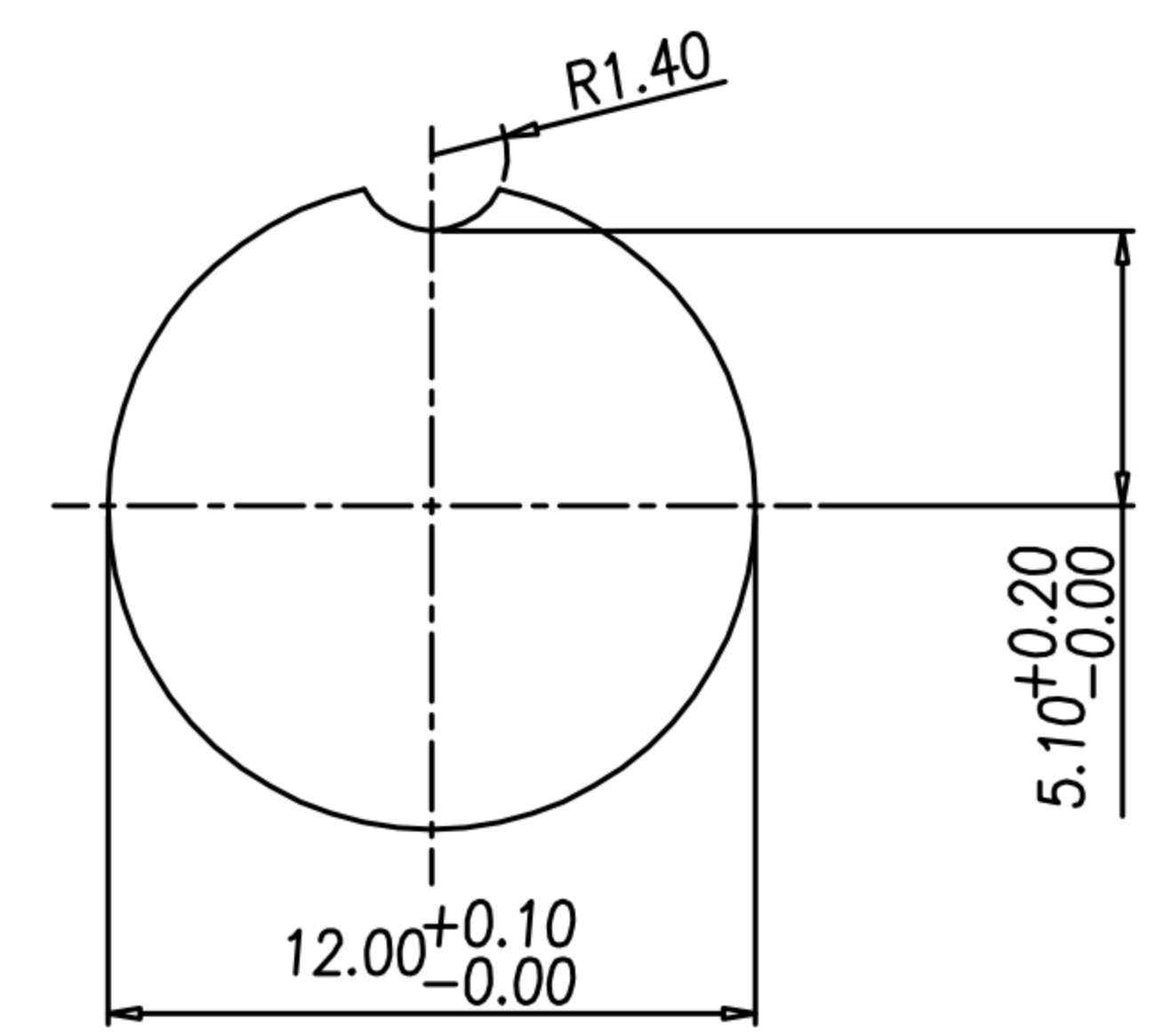
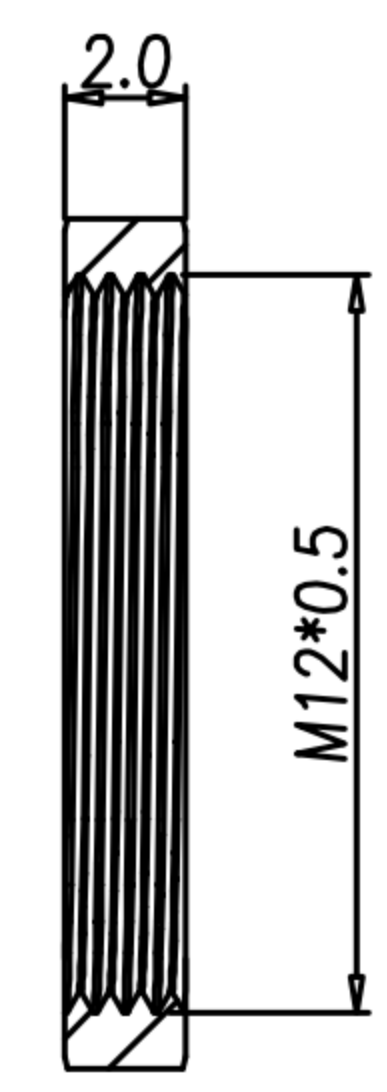
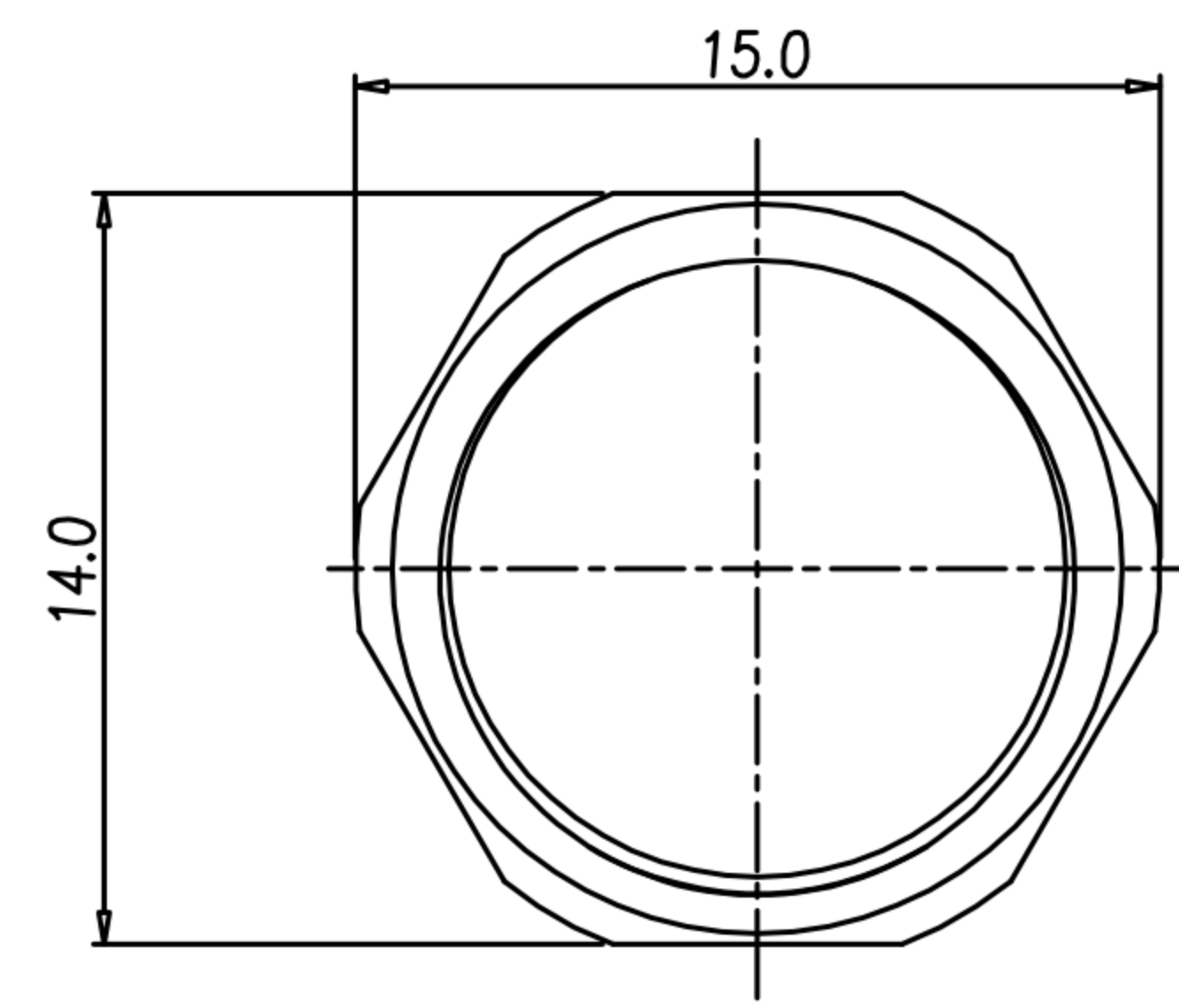
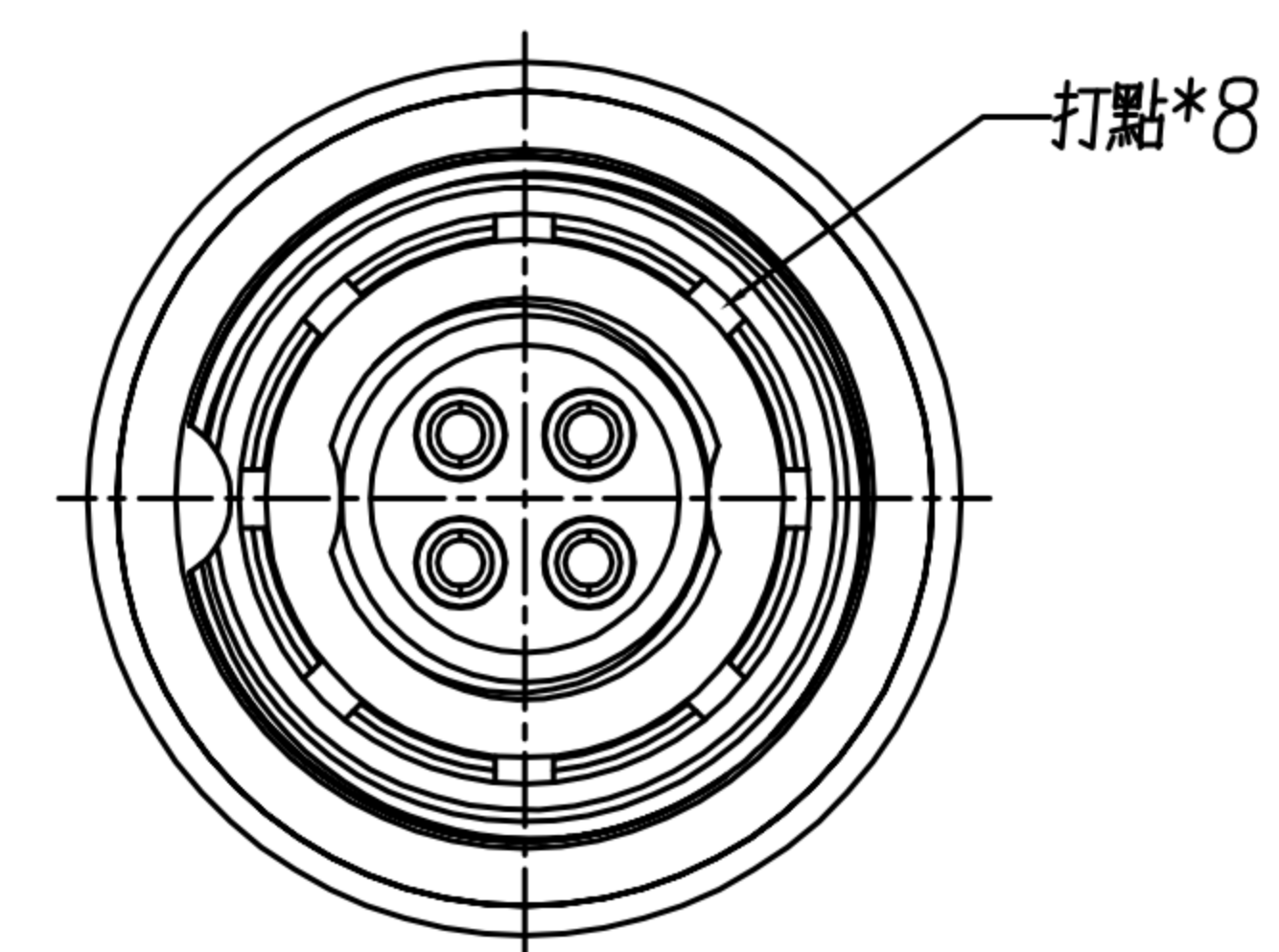
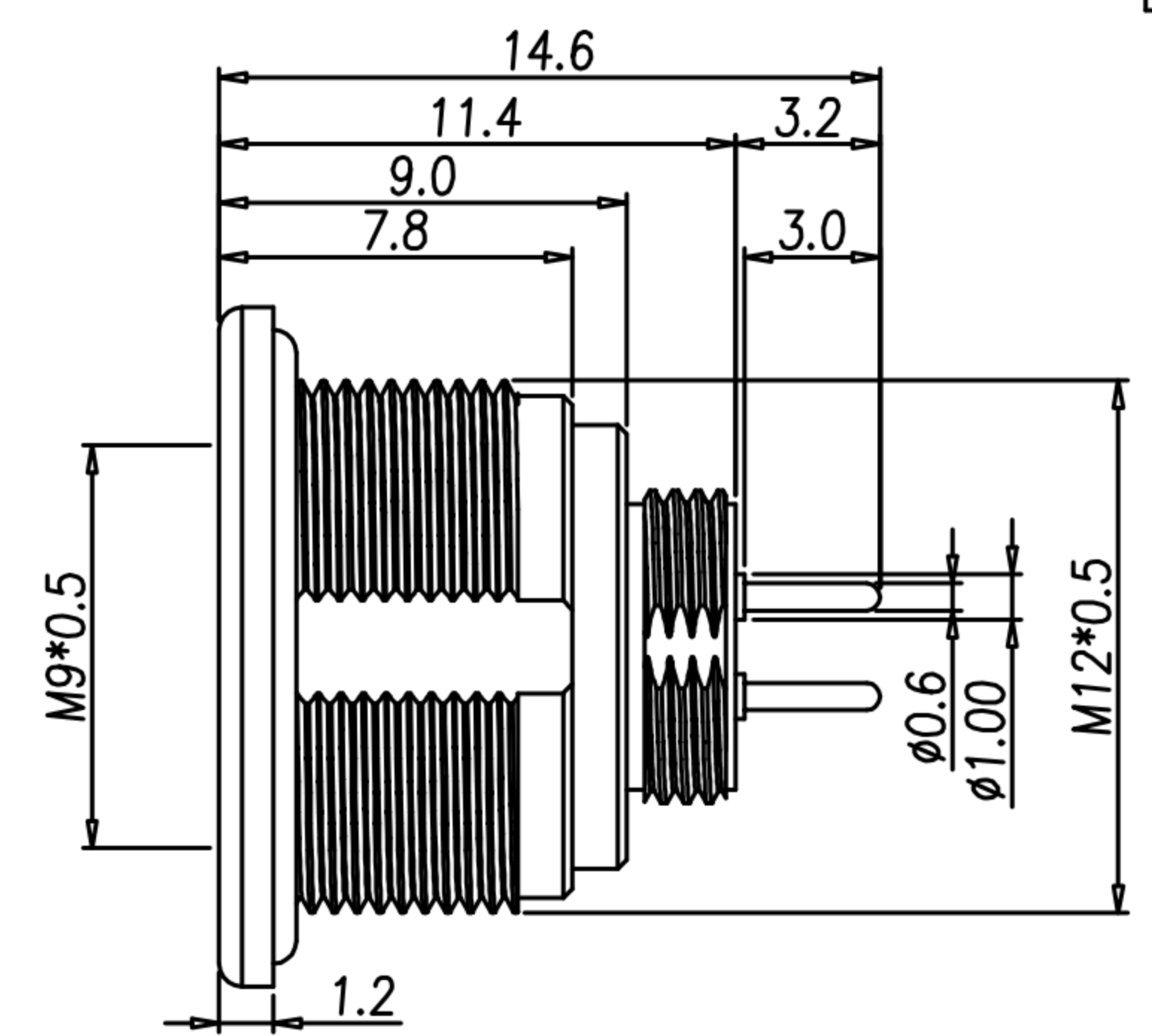
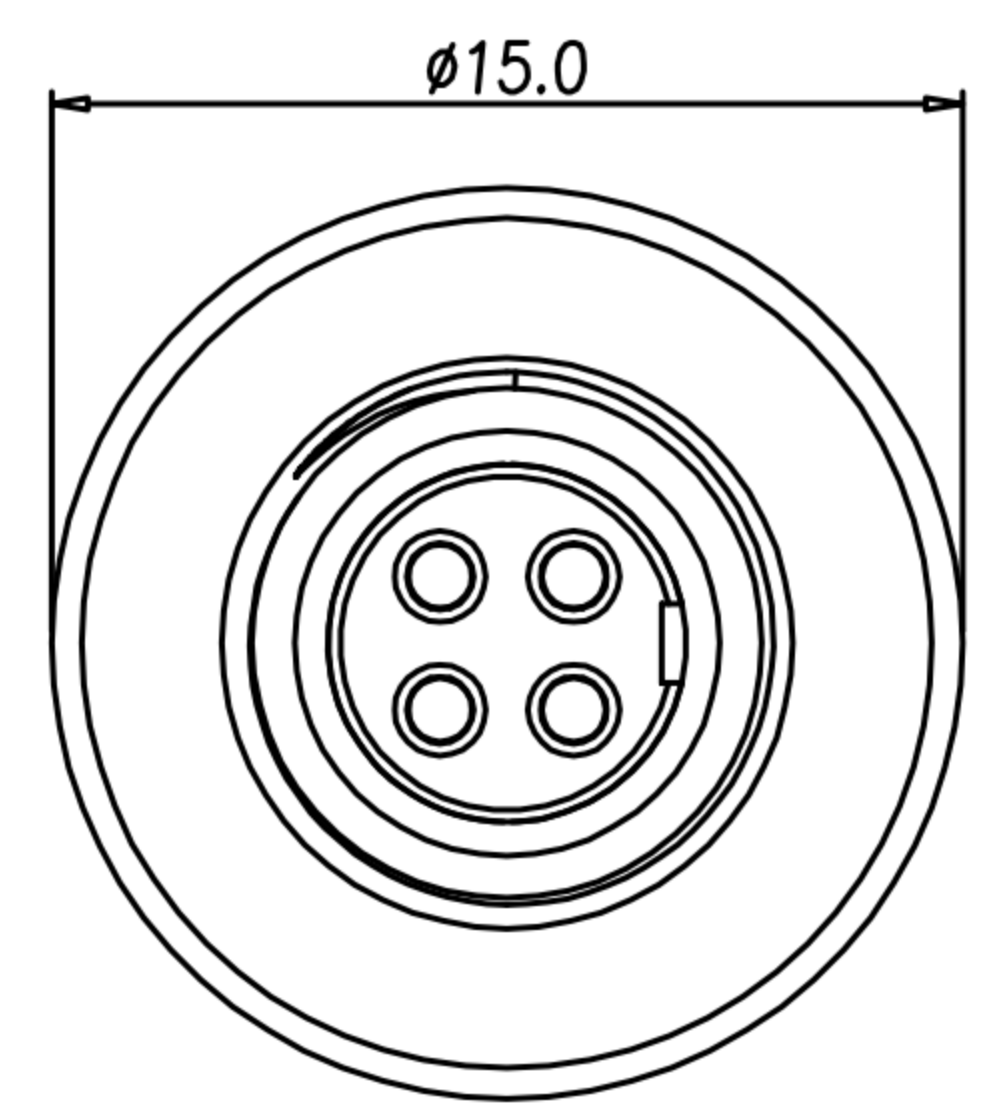


| | | | | |
|------|-------------|-----------|-----------|---------|
| REV. | DESCRIPTION | APPVL. BY | DATE | ECN NO. |
| △ | RELEASE | LED | 21/07/22' | |
| △ | | | | |
| △ | | | | |

CUSTOMER DRAWING



- MATERIAL :
 - 1-1. HOUSING : PA UL94V-0 ; COLOR : BLACK
 - 1-2. CONTACT : BRASS.
 - 1-3. SHELL : BRASS.
 - 1-4. O-RING A : SILICONE ; COLOR : BLACK.
 - 1-5. O-RING B : EPDM ; COLOR : BLACK.
 - 1-6. NUT : BRASS
- FINISH :
 - 2-1. CONTACT : GOLD FLASH
 - 2-2. SHELL : NICKEL PLTAEED.
 - 2-3. NUT : NICKEL PLTAEED.
- ELECTRICAL SPECIFICATION :
 - 3-1. Rated current(40°C) : 2~3P 4A; 4~5P 3A; 7~8P 1A
 - 3-2. Rated Voltage : 125V
 - 3-3. Water proof : IP67
- Environmental :
 - 4-1. Operation Temperature : -40°C~85°C

NUT

RECOMMEND PANEL CUT-OUT

| | | | | | |
|---------------|---------------|---------------|---------------|---------------|---------------|
| | | | | | |
| WP-02F3-08-11 | WP-03F3-08-11 | WP-04F3-21-11 | WP-05F3-25-11 | WP-07F3-06-11 | WP-08F3-18-11 |

| | | | | | | | | | | | | | |
|-------|---------|-------|---------|-------|-----|--|--|--|----------|------------------------|---------|---------|------------------|
| DRAWN | LED | APP'D | Ku Chou | UNIT | mm | TOLERANCE | | 广东科斯达电子科技有限公司 GUANG DONG KE SI DA ELECTRONIC TECHNOLOGY CO., LTD. | TITLE | M9 (F) M12*0.5 鍍金 DIP式 | | | SHEET |
| CHK'D | Ku Chou | | | SCALE | 1:1 | .x ±0.20 .xx ±0.10 .xxx ±0.05 .xxxx ±0.03 ANGULA ±1° | | | PART NO. | SEE TABLE A | DWG NO. | QC10475 | VERSION A |