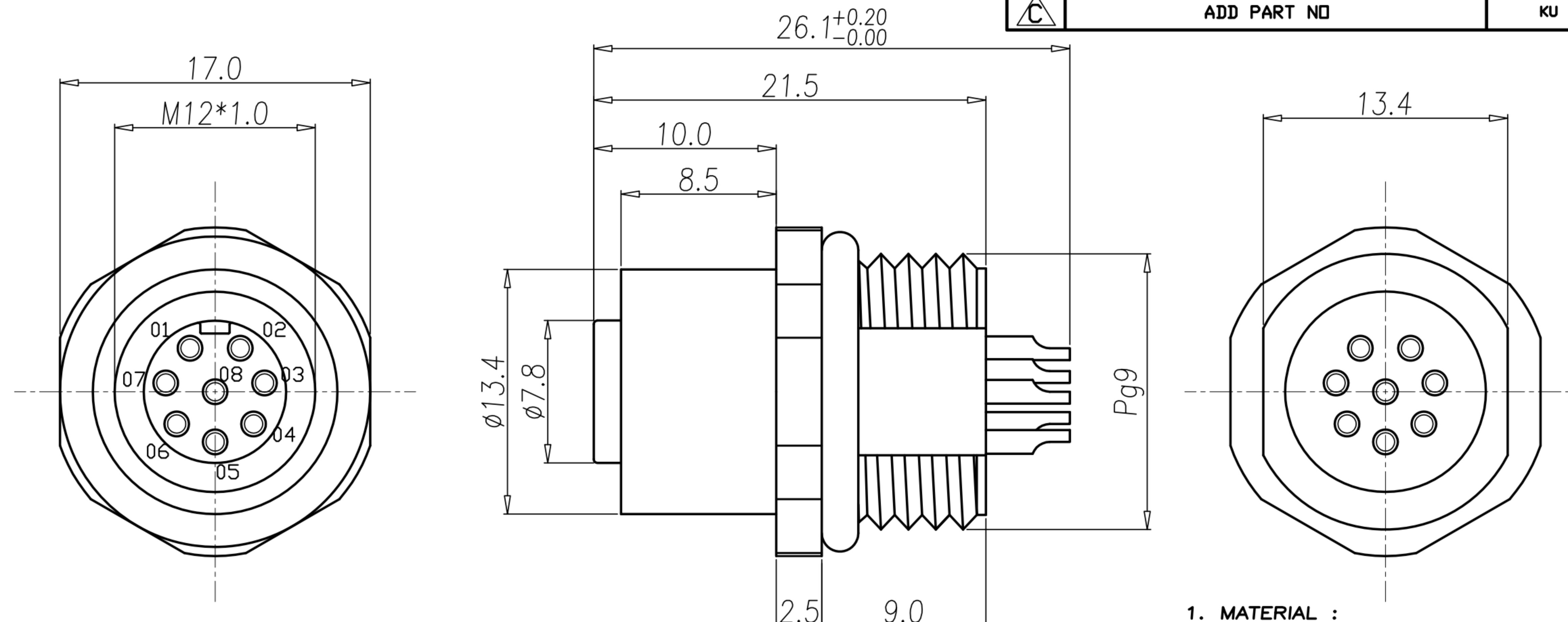
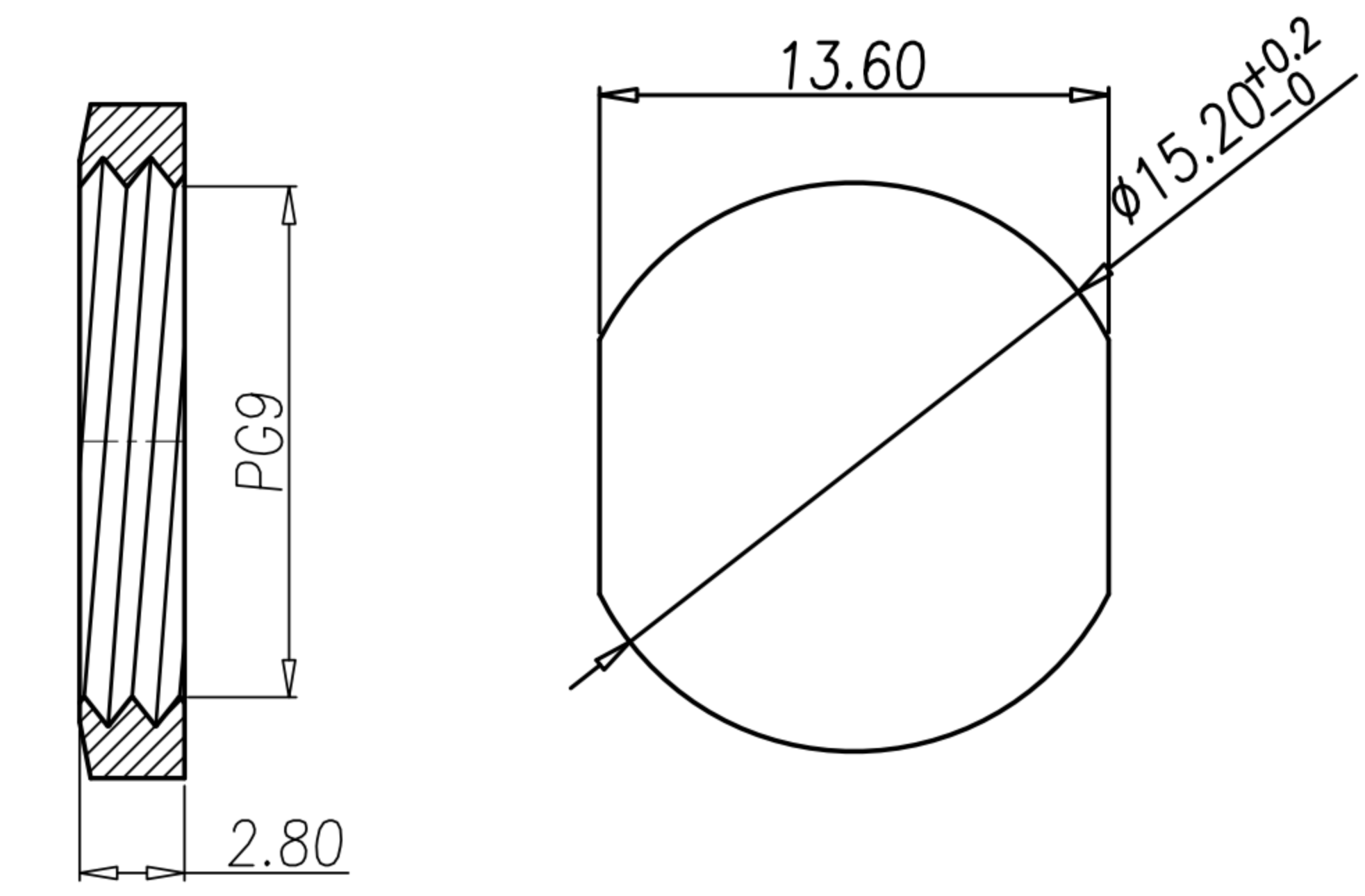
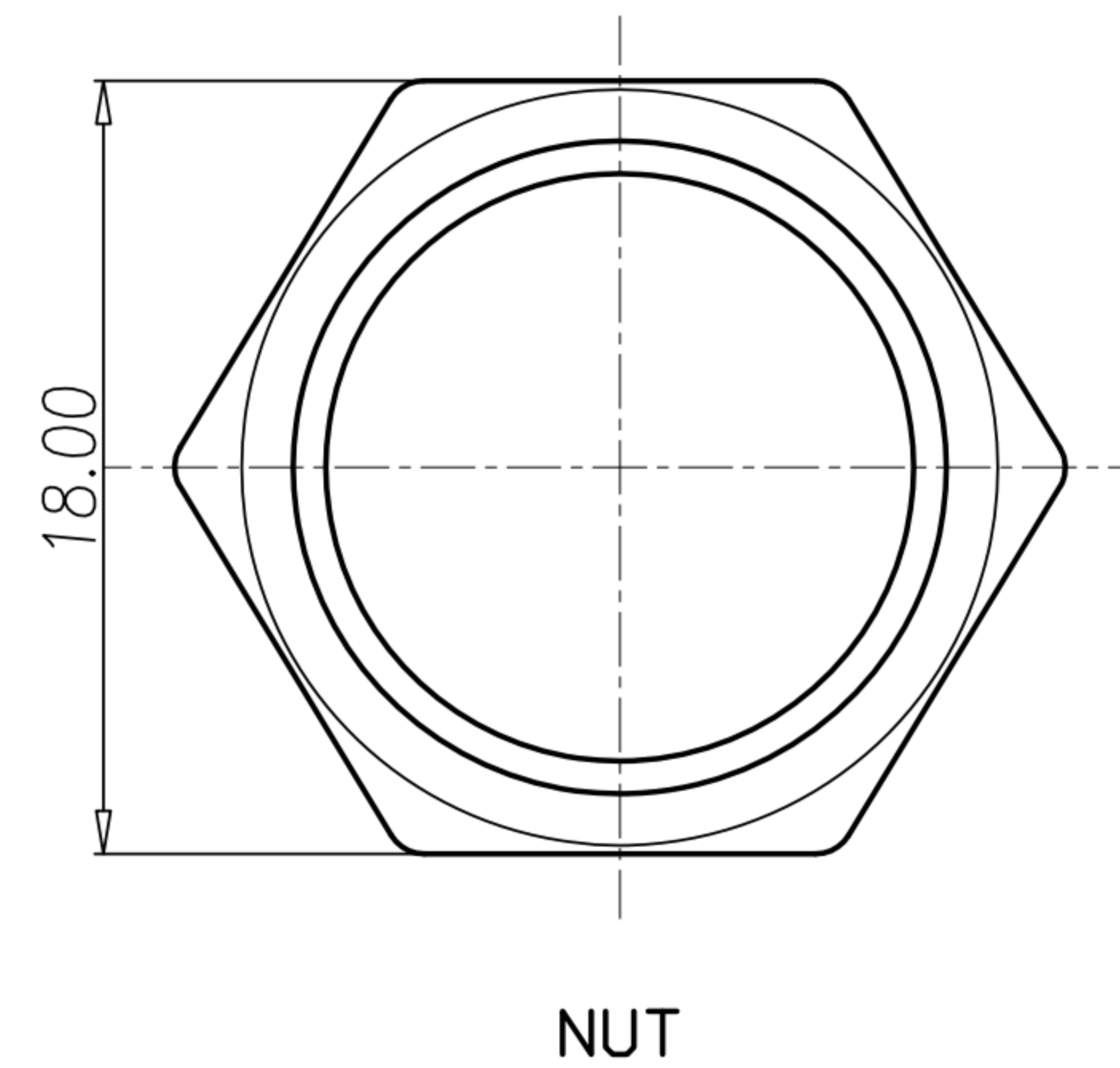


# CUSTOMER DRAWING

REV.	DESCRIPTION	APPROVED BY	DATE	ECN NO.
A	RELEASE	Fido Weng	24/06/21'	
B	<del>RELEASE</del>	KU	15/11/18'	
C	ADD PART NO	KU	16/05/19'	



	8PIN
WP-08F2-35	
WP-08F2-109-11	
	7PIN
WP-07F2-23-11	
	6PIN
WP-06F2-86-11	



- MATERIAL :
  - 1-1. HOUSING : PBT UL94V-0 ; COLOR : BLACK
  - 1-2. CONTACT : BRASS
  - 1-3. SHELL : BRASS
  - 1-4. NUT : BRASS
  - 1-5. O-RING : EPDM ; COLOR : BLACK.
- FINISH :
  - 2-1. CONTACT : SEE TABLE A
  - 2-2. SHELL : NICKEL PLATED.
  - 2-2. NUT : NICKEL PLATED.
- ELECTRICAL SPECIFICATION :
  - 3-1. Rated current : 2A
  - 3-2. Rated Voltage : 30V
  - 3-3. Water proof : IP67
- Environmental :
  - 4-1. Operation Temperature : -40℃~85℃

TABLE A

WP-08F2-35	GOLD FLASH
WP-08F2-109-11	GOLD 10u"
WP-07F2-23-11	GOLD FLASH
WP-06F2-86-11	GOLD FLASH
PART NO	FINISH

DRAWN	Ku Chou	APP'D	Fido Weng	UNIT	mm	TOLERANCE		广东科斯达电子科技有限公司 GUANG DONG KE SI DA ELECTRONIC TECHNOLOGY CO., LTD.	TITLE	WP M12 (F) 板端后锁PG9洗变通插式			SHEET	1
CHK'D	Emily Suen			SCALE	1:1				PART NO.	SEE TABLE A	DWG NO.	QC5956	VERSION	C