

# CUSTOMER DRAWING

REV.	DESCRIPTION	APPROVED BY	DATE	ECN NO.
B	設變油封厚度 & 4PIN增加盲孔	Fido Weng	22/08/12'	ECN12022
C	設變油封厚度直徑2.0改為1.5	WEI	08/04/13'	ECN13004
D	刪除&修改油封	KU	15/11/18'	

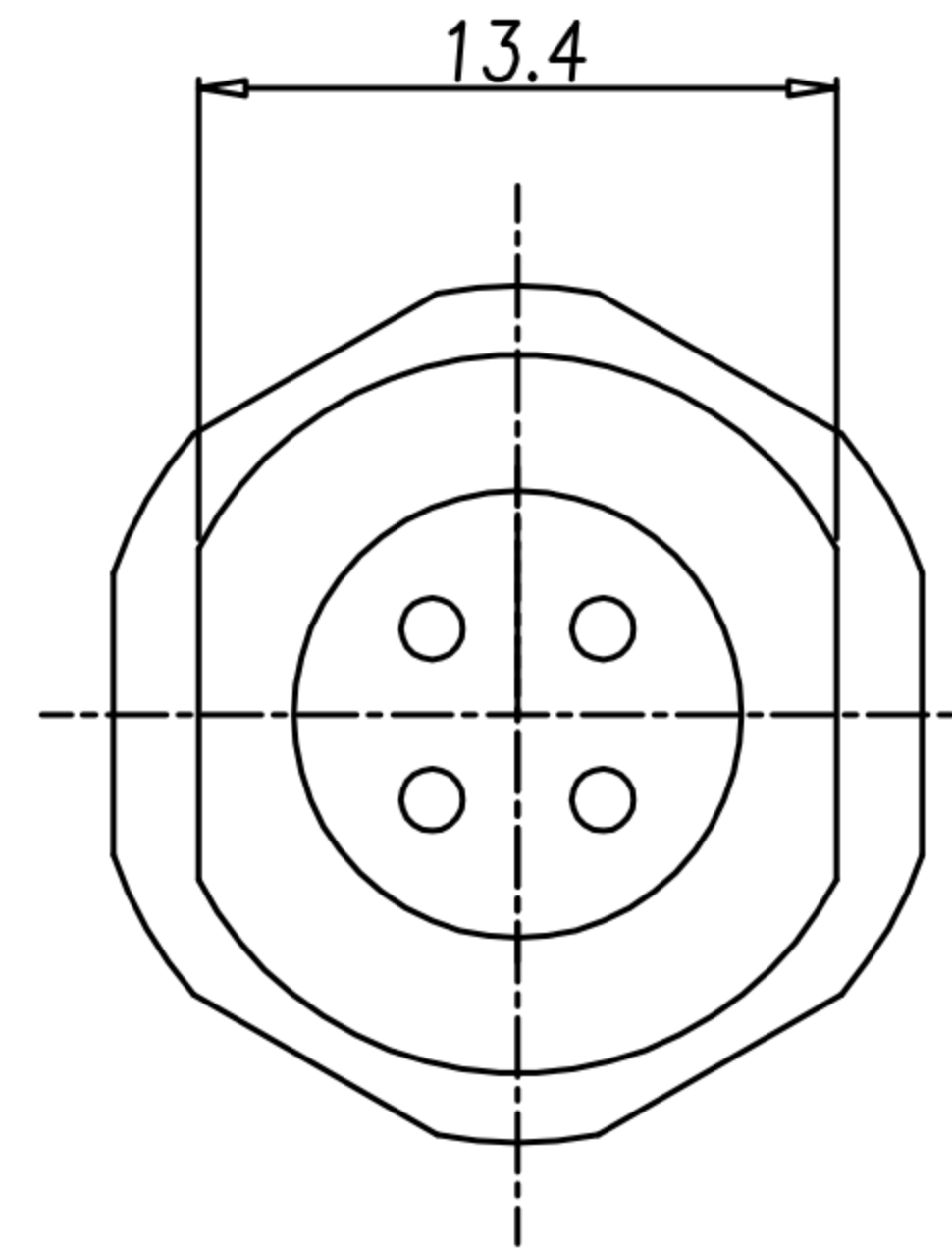
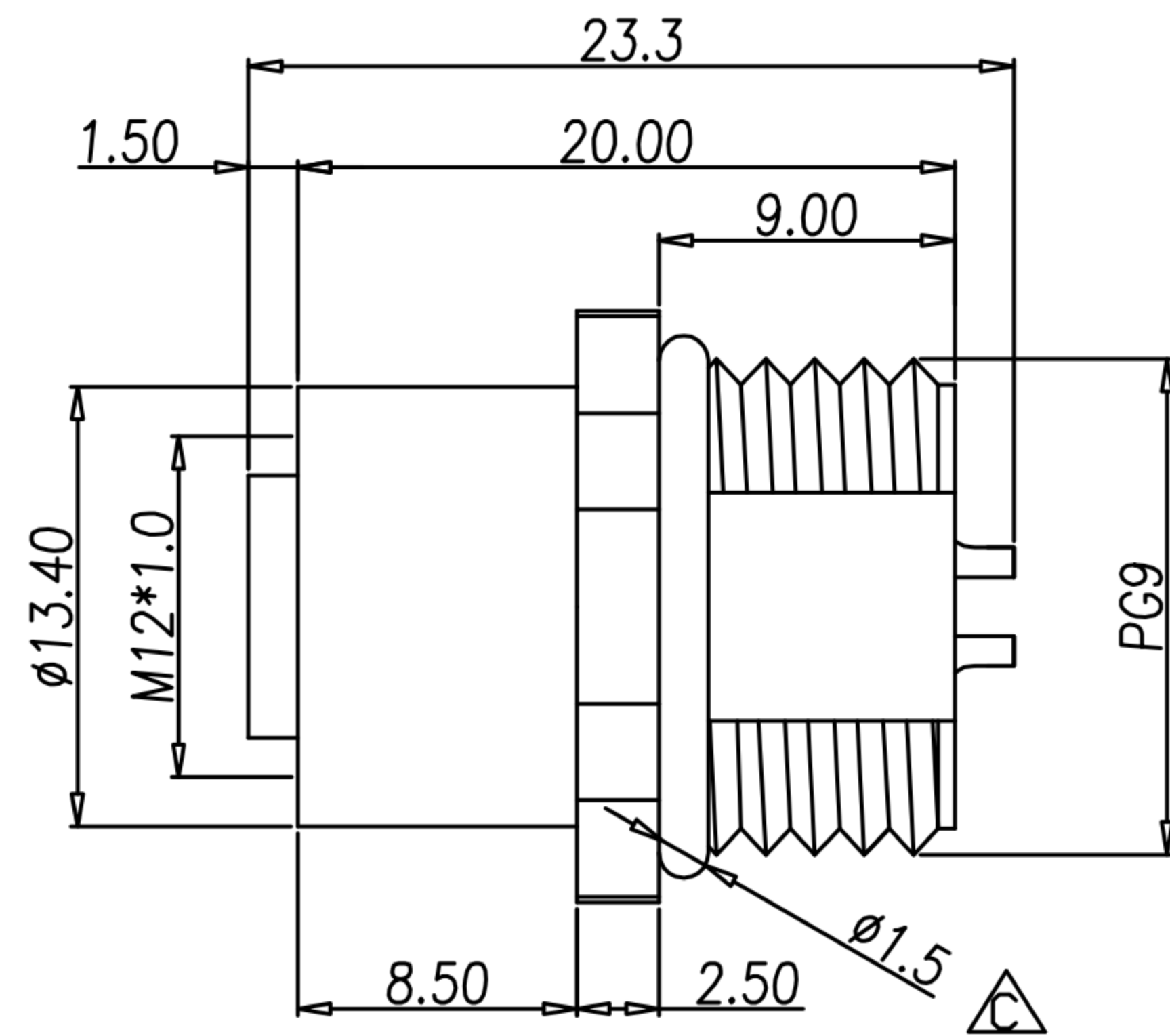
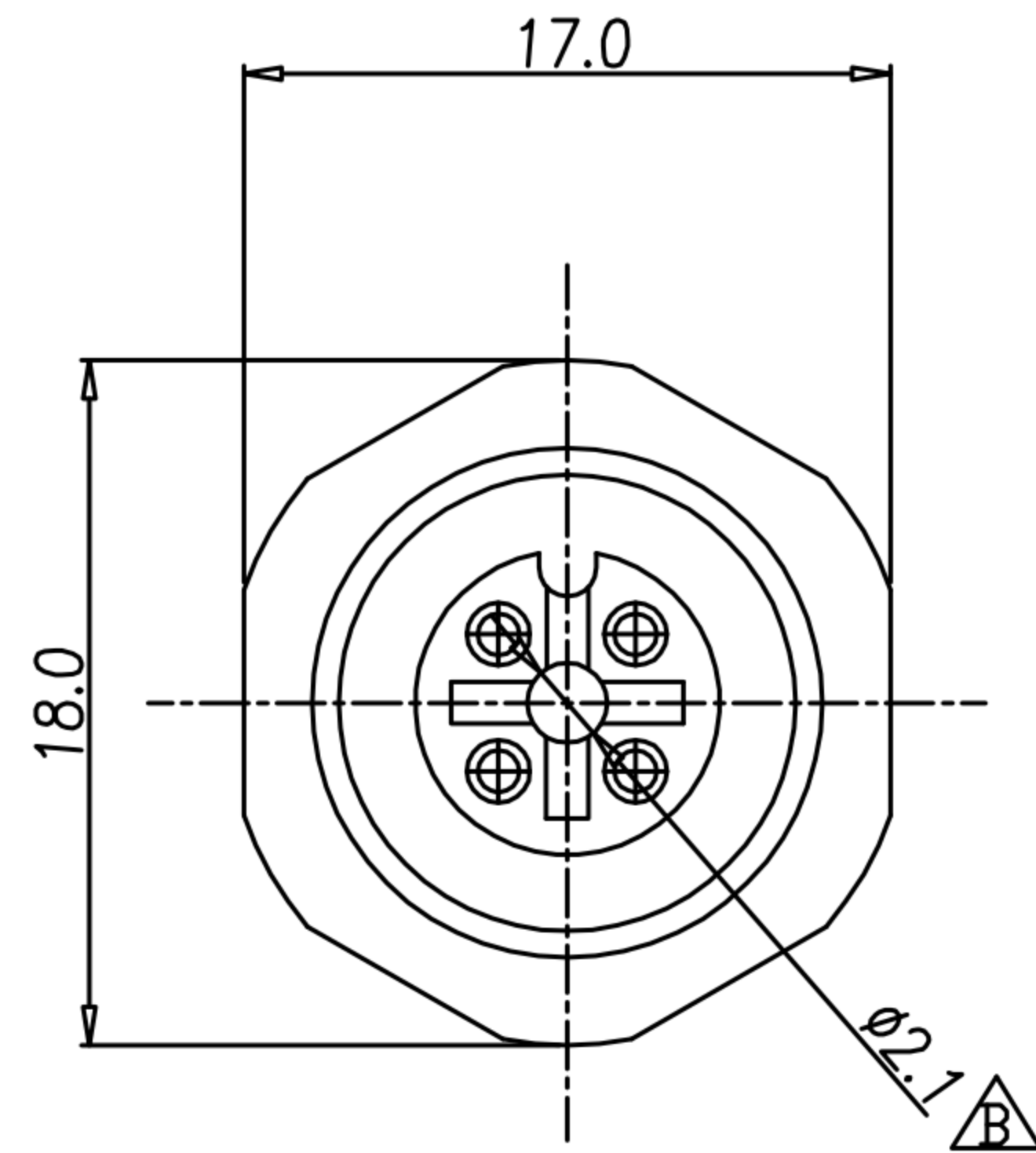
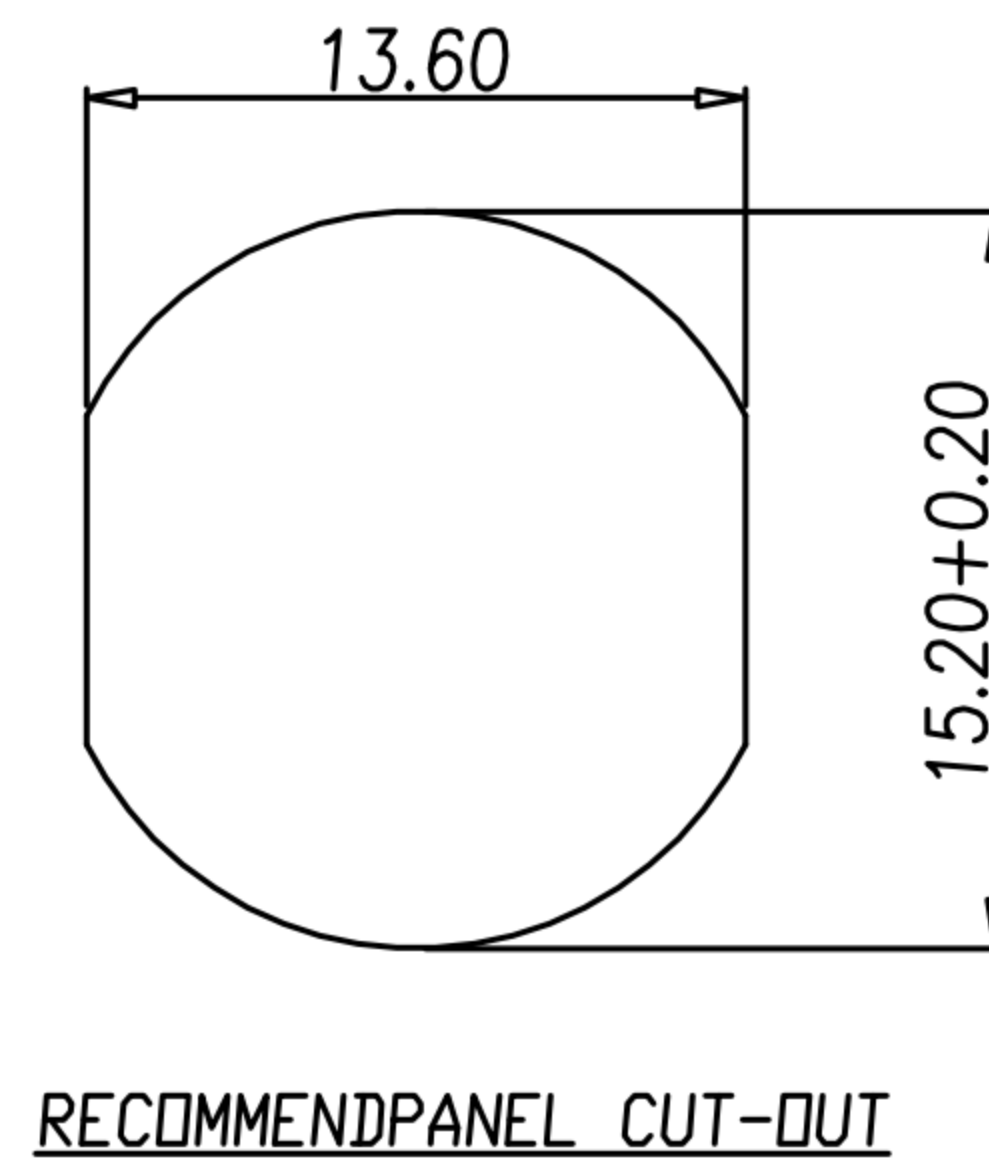
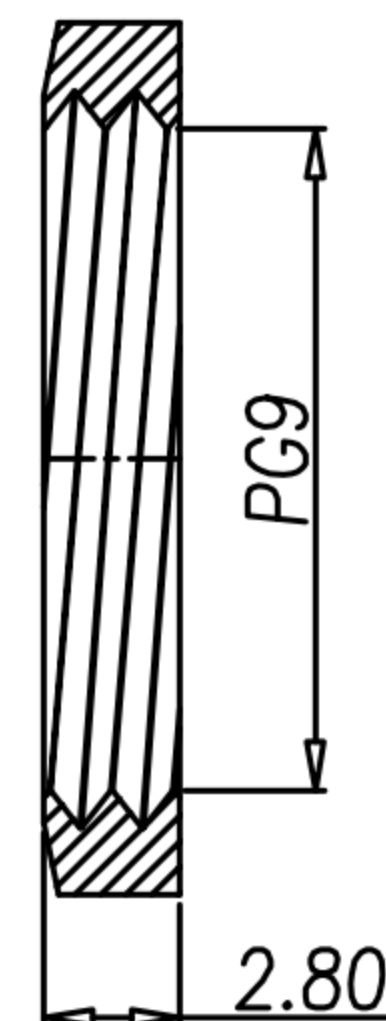
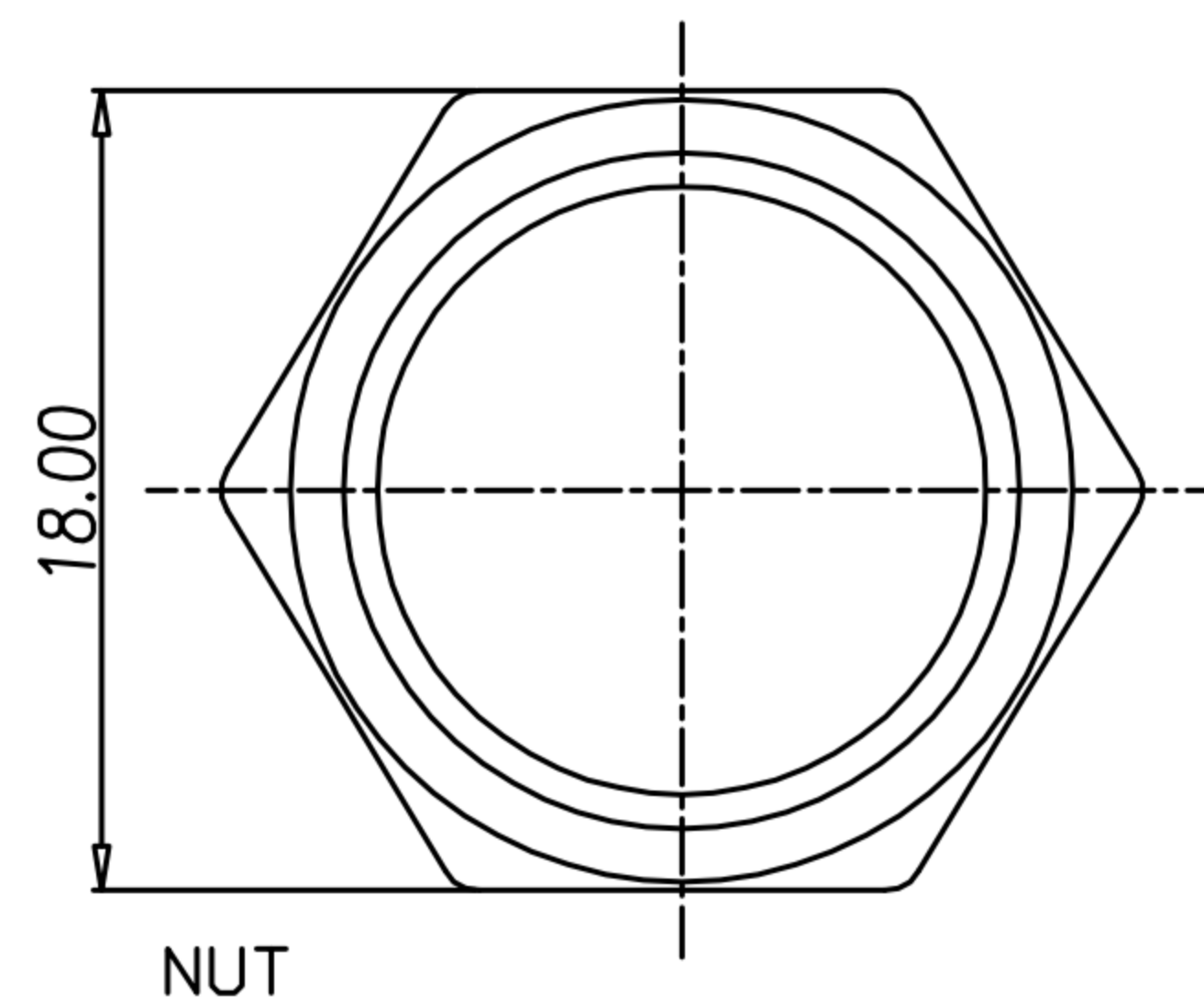


TABLE A

WP-04F2-86	WP-05F2-70
WP-02F2-87-11	WP-03F2-149-11



1. MATERIAL :
- 1-1. HOUSING : PBT UL94V-0 ; COLOR : BLACK
  - 1-2. CONTACT : BRASS
  - 1-3. SHELL : BRASS
  - 1-4. NUT : BRASS
  - 1-5. O-RING A : EPDM ; COLOR : BLACK
  - 1-6. O-RING B : SILICONE ; COLOR : GREEN.
2. FINISH :
- 2-1. CONTACT : GOLD FLASH.  
UNDER PLATE : NICKEL
  - 2-2. SHELL : NICKEL PLATED.
  - 2-2. NUT : NICKEL PLATED.
3. ELECTRICAL SPECIFICATION :
- 3-1. Rated current : 4A
  - 3-2. Rated Voltage : 2~4PIN 250V ; 5PIN 60V
  - 3-3. Water proof : IPX7
4. Environmental :
- 4-1. Operation Temperature : -40℃~105℃

DRAWN	Ku Chou	APP'D	Fido Weng	UNIT	mm	TOLERANCE			TITLE	WP M12 (F) A-Code 板端後鎖PG9焊線式			SHEET	1
CHK'D	Emily Suen			SCALE	1:1	.x ±0.20 .xx ±0.10 .xxx ±0.05 .xxxx ±0.03 ANGULA ±1°			PART NO.	SEE TABLE A	DWG NO.	QC5851	VERSION	D