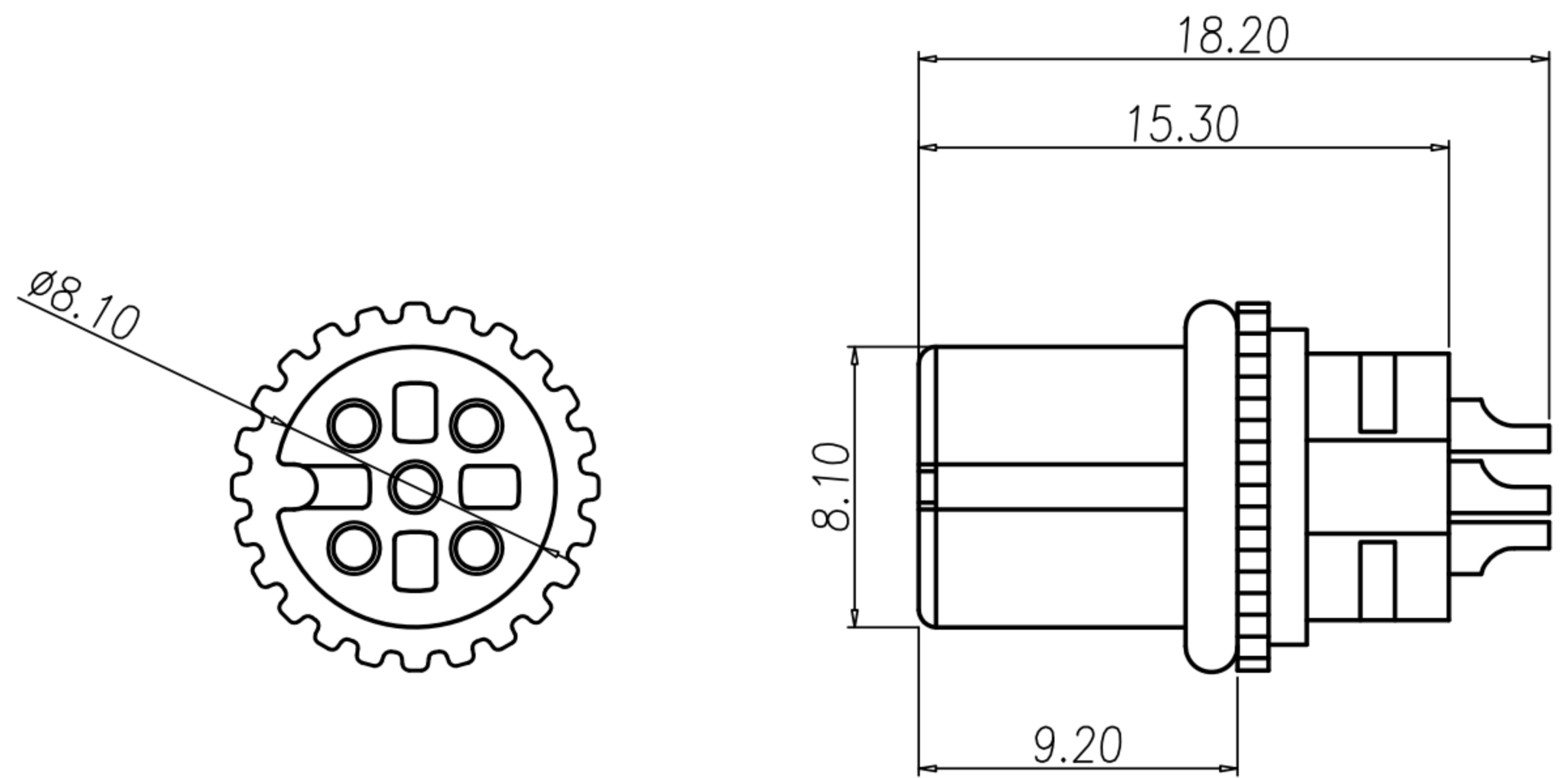


CUSTOMER DRAWING

REV.	DESCRIPTION	APPVL. BY	DATE	ECN NO.
A	RELEASE	Fido Weng	25/02/14*	
B				
C				



HPUSING & PIN & O-ring

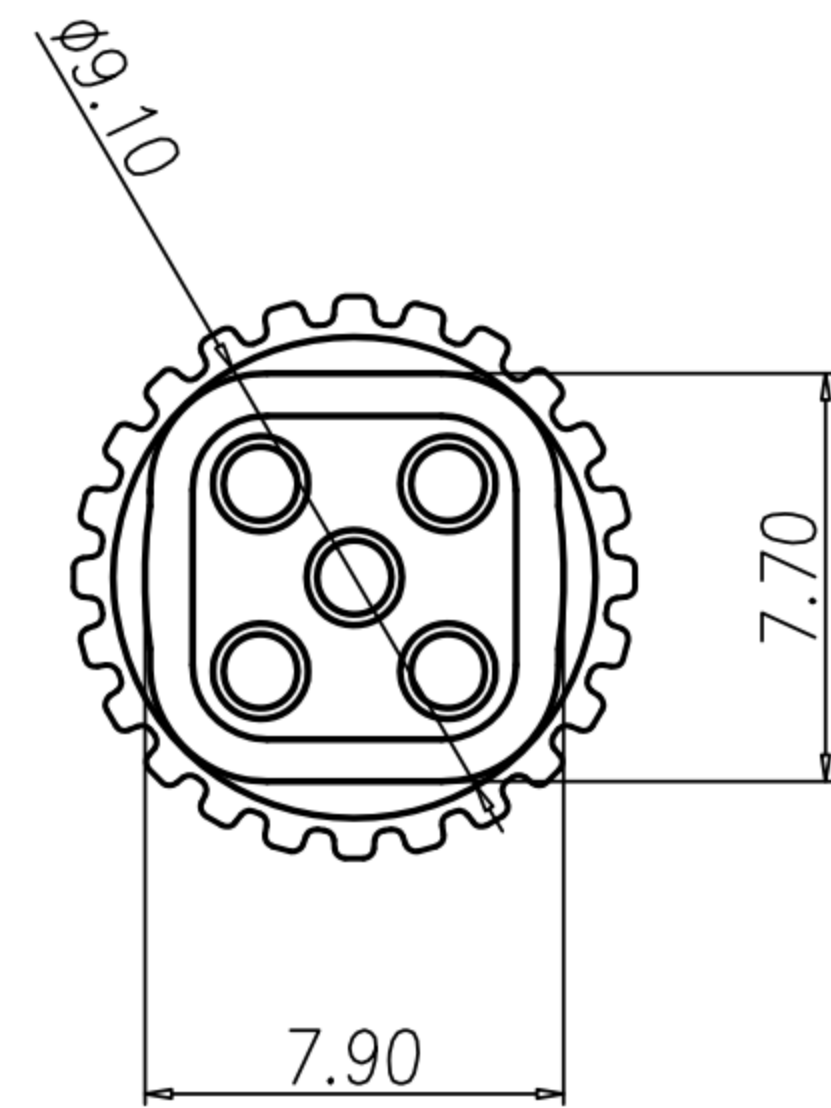
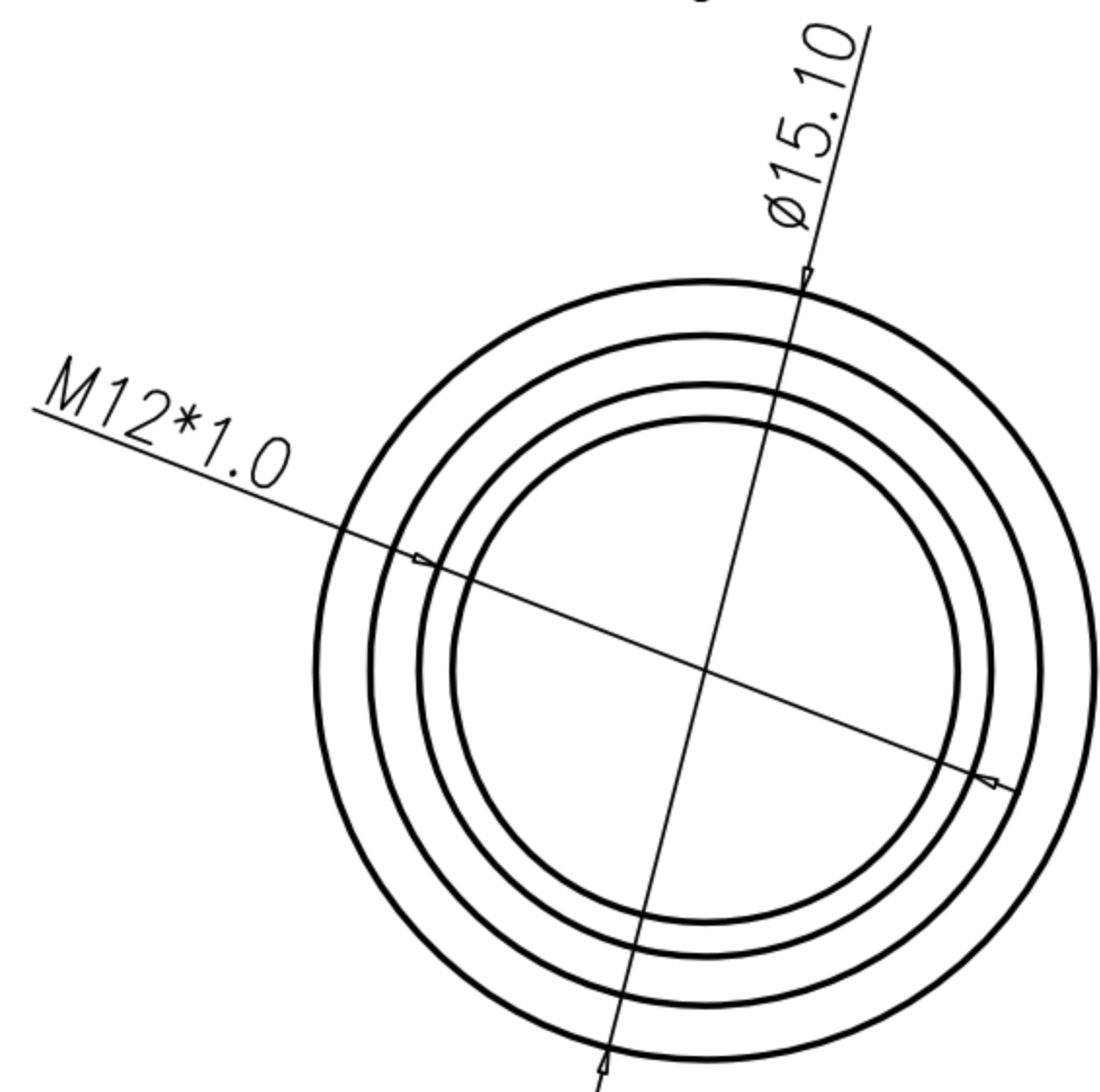
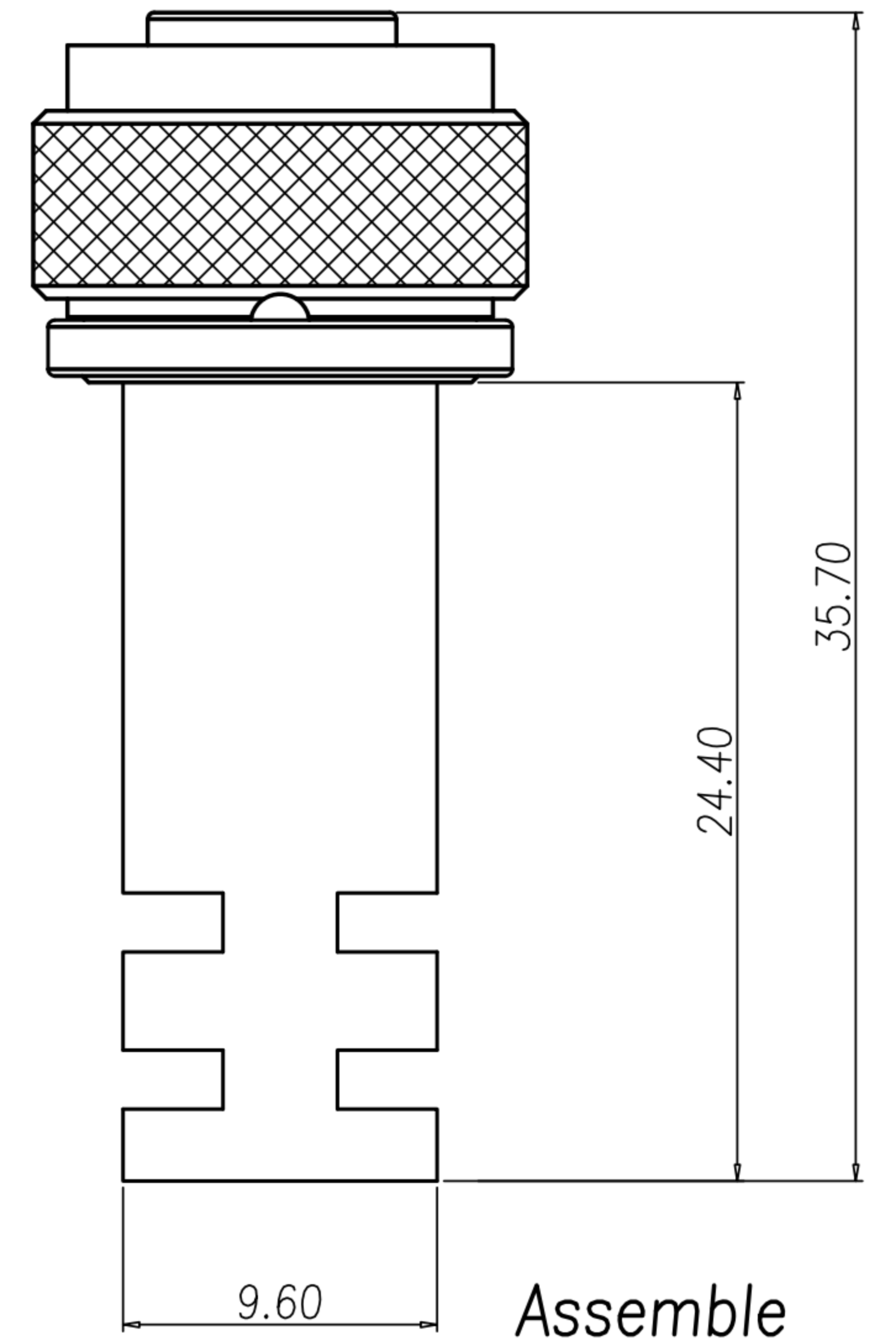


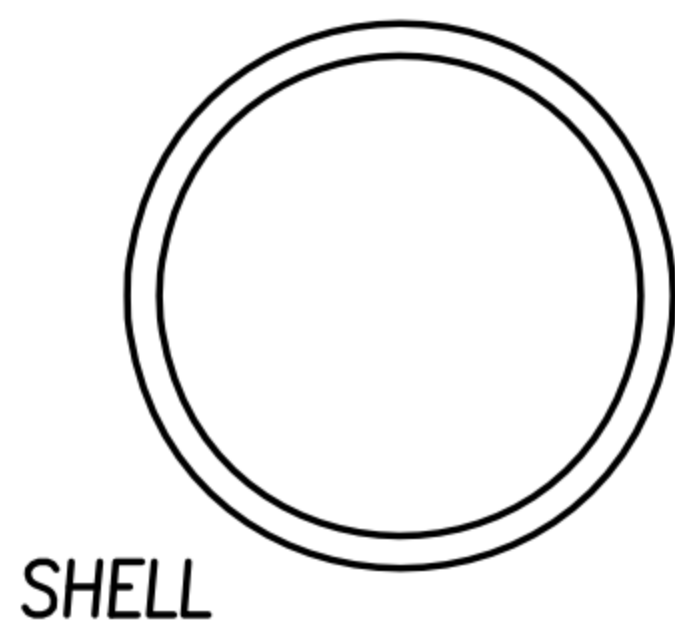
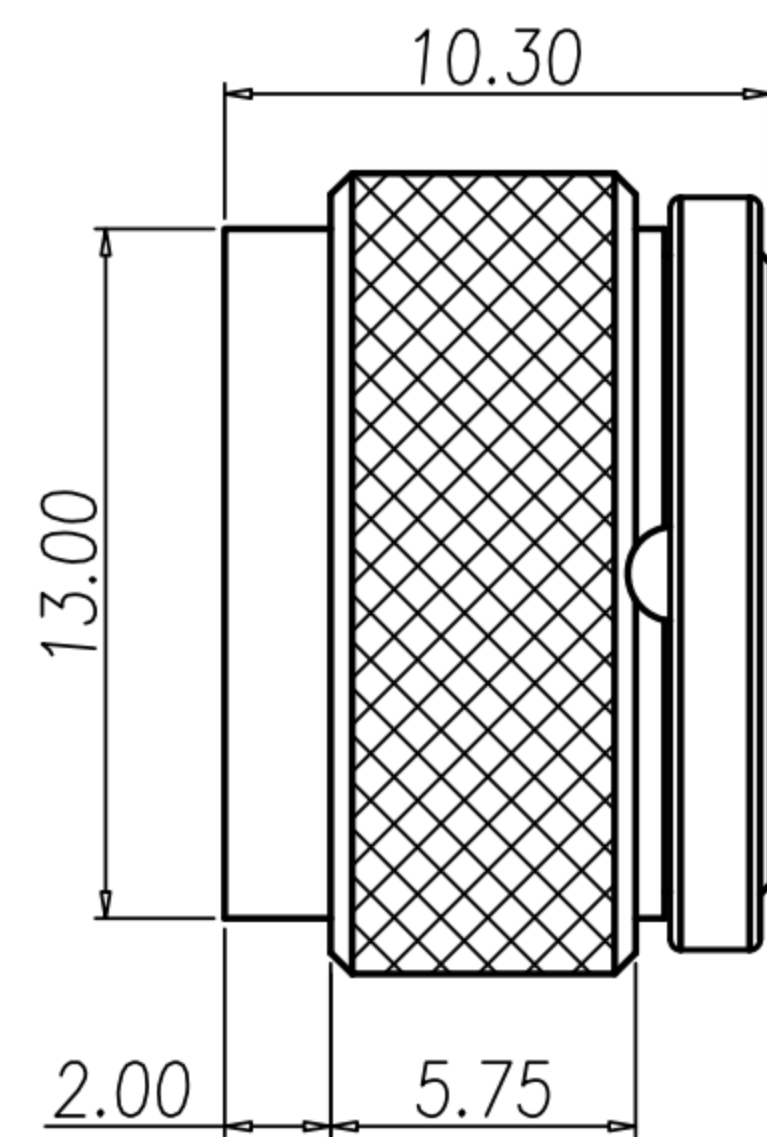
TABLE A

5P	4P
WP-05F2-209-11 WP-05F2-210-11	WP-04F2-276-11 WP-04F2-277-11
3P	2P
WP-03F2-166-11 WP-03F2-167-11	WP-02F2-97-11 WP-02F2-98-11

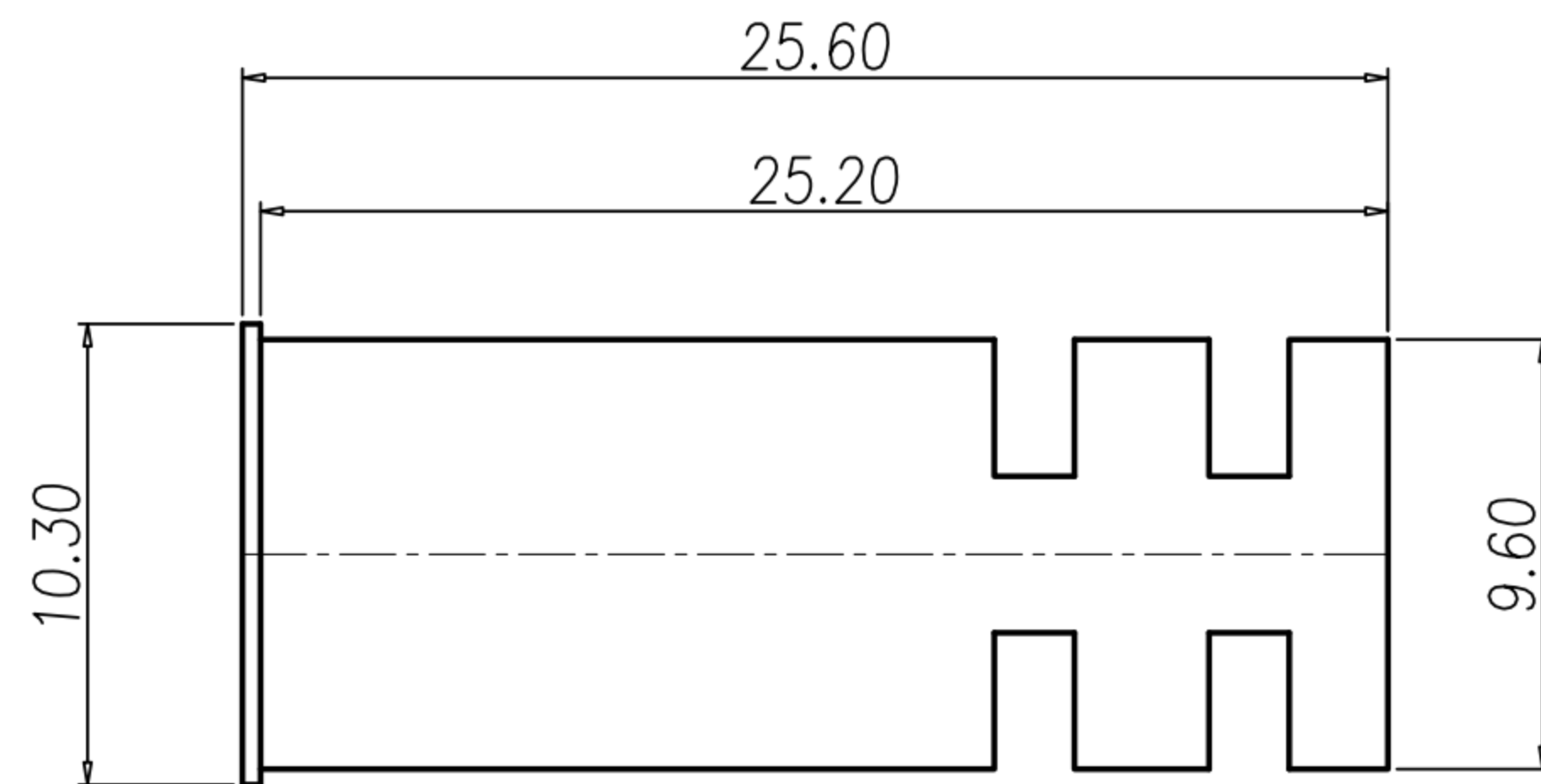
WP-02F2-97-11	GOLD FLASH	WP-02F2-98-11	GOLD 10u"
WP-03F2-166-11	GOLD FLASH	WP-03F2-167-11	GOLD 10u"
WP-04F2-276-11	GOLD FLASH	WP-04F2-277-11	GOLD 10u"
WP-05F2-209-11	GOLD FLASH	WP-05F2-210-11	GOLD 10u"
PART NO	FINISH	PART NO	FINISH



NUT & anti-vibration detent



SHELL



- MATERIAL :
  - HOUSING : PA66 ; COLOR : BLACK
  - CONTACT : BRASS
  - NUT : BRASS
  - SHELL : BRASS
  - O-RING : EPDM
- FINISH :
  - CONTACT : SEE TABLE A  
UNDER PLATE : NICKEL
  - NUT : NICKEL PLATED.
  - SHELL : NICKEL PLATED.
- ELECTRICAL SPECIFICATION :
  - Rated current : 4A
  - Rated Voltage : 2~4PIN 250V ; 5PIN 60V
  - Water proof : IPX7
- Environmental :
  - Operation Temperature : -40℃~85℃

DRAW	Ku Chou	APPVL	Emily Suen	UNIT	mm	TOLERANCE			TITLE	防水頭 M12 (F) A-CODE 止滑接地焊線式			SHEET	1
CHECK	Emily Suen			SCALE	1:1	.x ±0.20 .xx ±0.10 .xxx ±0.05 .xxxx ±0.03 ANGULA ±1°			PART NO.	SEE TABLE A	DWG NO.	QC10166	VERSION	A

广东科斯达电子科技有限公司  
GUANG DONG KE SI DA ELECTRONIC TECHNOLOGY CO., LTD.