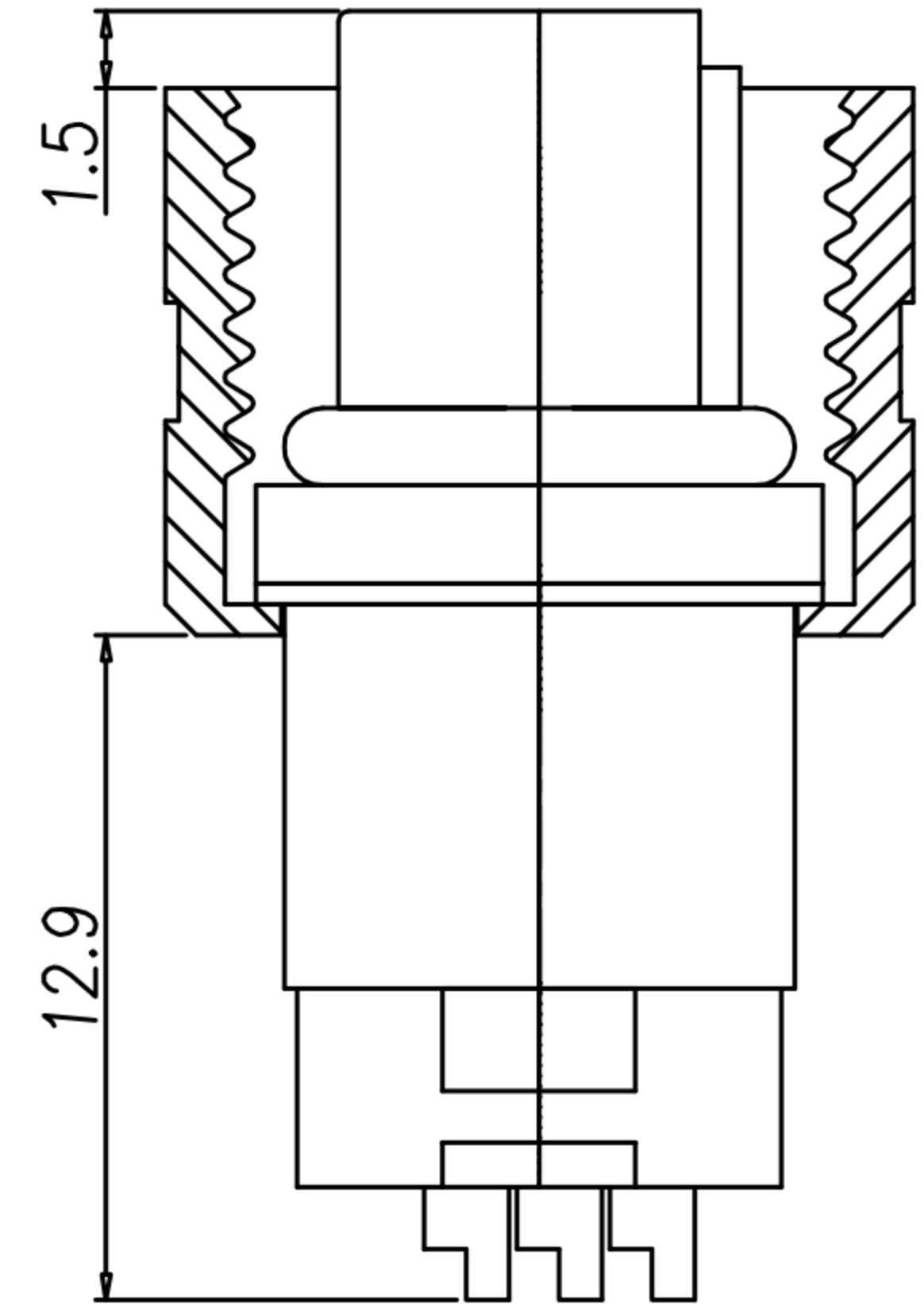
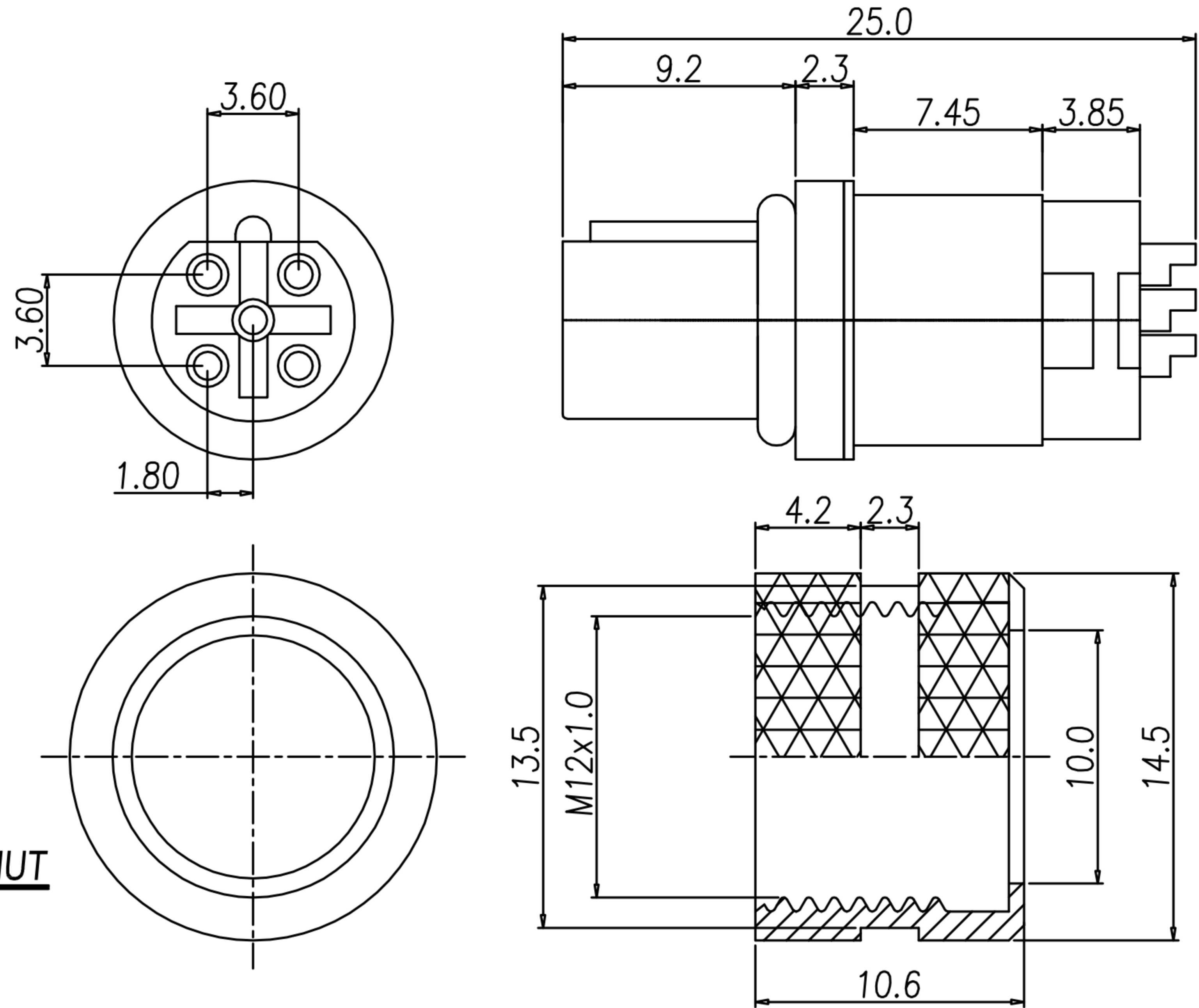


CUSTOMER DRAWING

REV.	DESCRIPTION	APPROVED BY	DATE	ECN NO.
△A	RELEASE	Fido Weng	14/10/19'	
△B				
△C				



- MATERIAL :
  - 1-1. HOUSING : PBT UL94V-0 ; COLOR : BLACK
  - 1-2. CONTACT : BRASS
  - 1-3. NUT : BRASS
  - 1-4. SHELL : BRASS
  - 1-5. O-RING : EDPM
- FINISH :
  - 2-1. CONTACT : SEE TABLE A
  - 2-2. NUT : NICKEL PLATED
  - 2-3. SHELL : NICKEL PLATED
- ELECTRICAL SPECIFICATION :
  - 3-1. Rated current : 4A
  - 3-2. Rated voltage : 2~4PIN 250V ; 5PIN 60V
  - 3-3. Water proof: IPX7
- Environmental :
  - 4-1. Operation Temperature : -40℃~85℃

TABLE A

	5P	4P	3P	3P	2P	2P
GOLD FLASH	WP-05F2-189-11	WP-04F2-246-11	WP-03F2-132-11	WP-03F2-133-11	WP-02F2-74-11	WP-02F2-75-11
GOLD 10u"	WP-05F2-190-11	WP-04F2-247-11	WP-03F2-134-11	WP-03F2-135-11	WP-02F2-76-11	WP-02F2-77-11
FINISH	PART NO					

DRAWN	Ku Chou	APPEND	Emily Suen	UNIT	mm	TOLERANCE				TITLE	M12-(F)防水頭線端B-CODE(長膠芯+接地)			SHEET	1
CHKD	Emily Suen			SCALE	1:1					PART NO.	SEE TABLE A	DWG NO.	QC9440	VERSION	A