

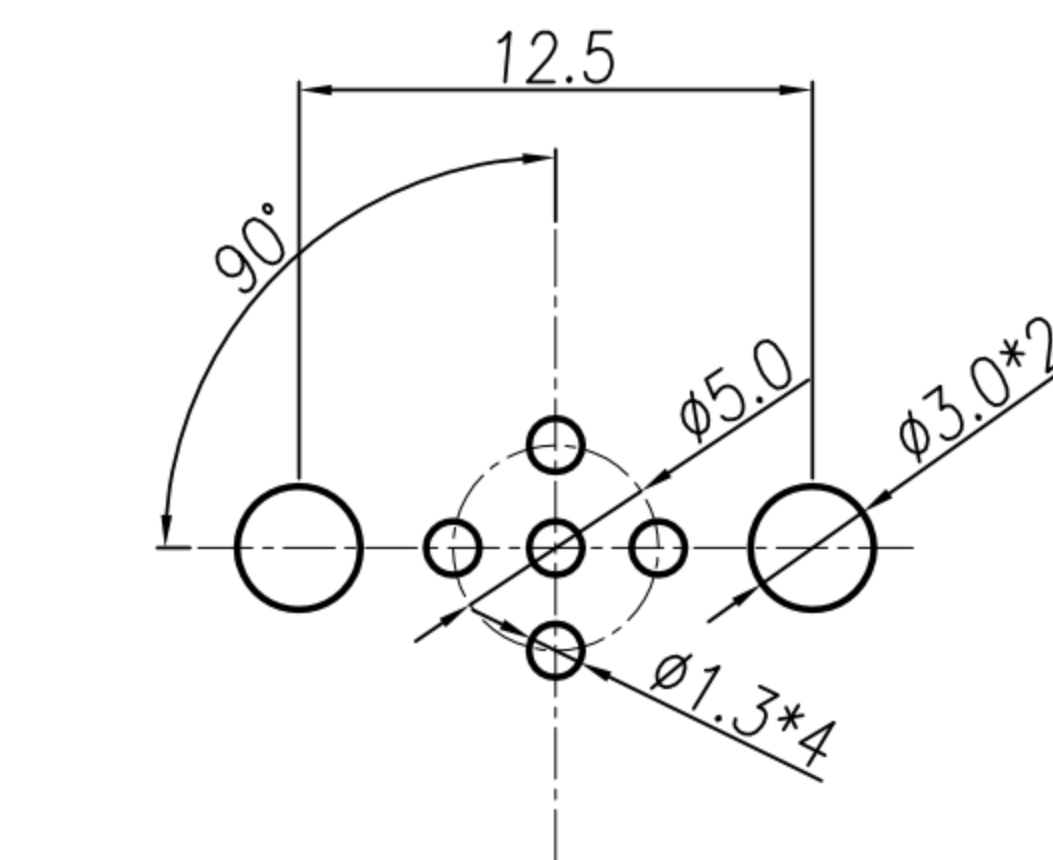
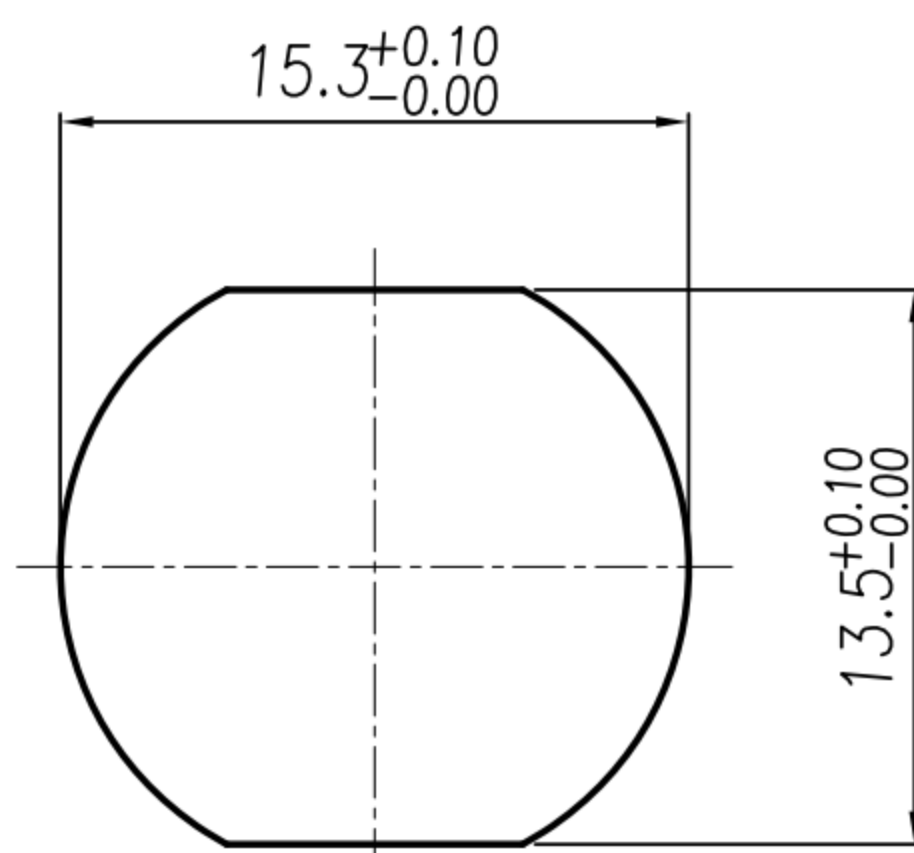
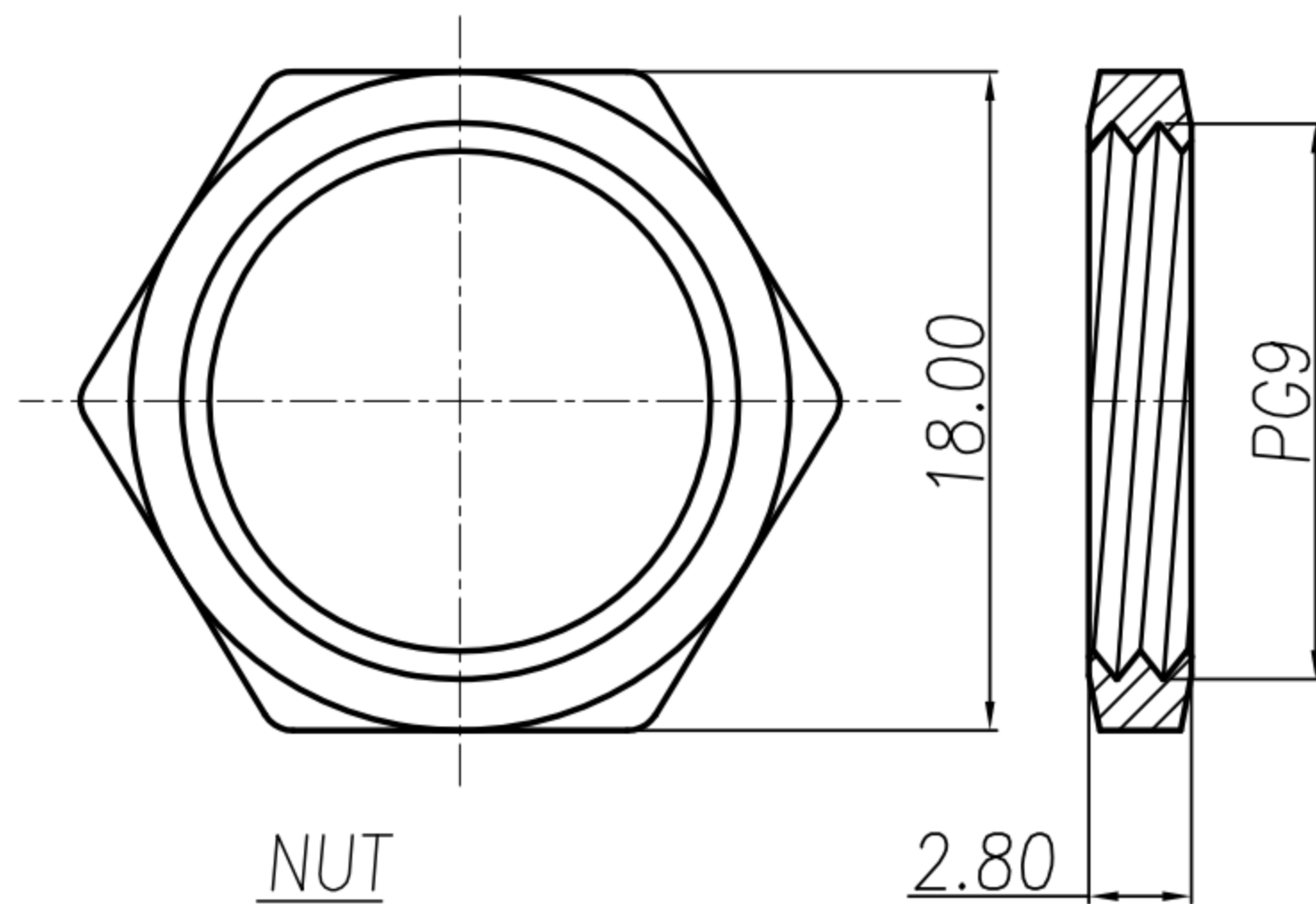
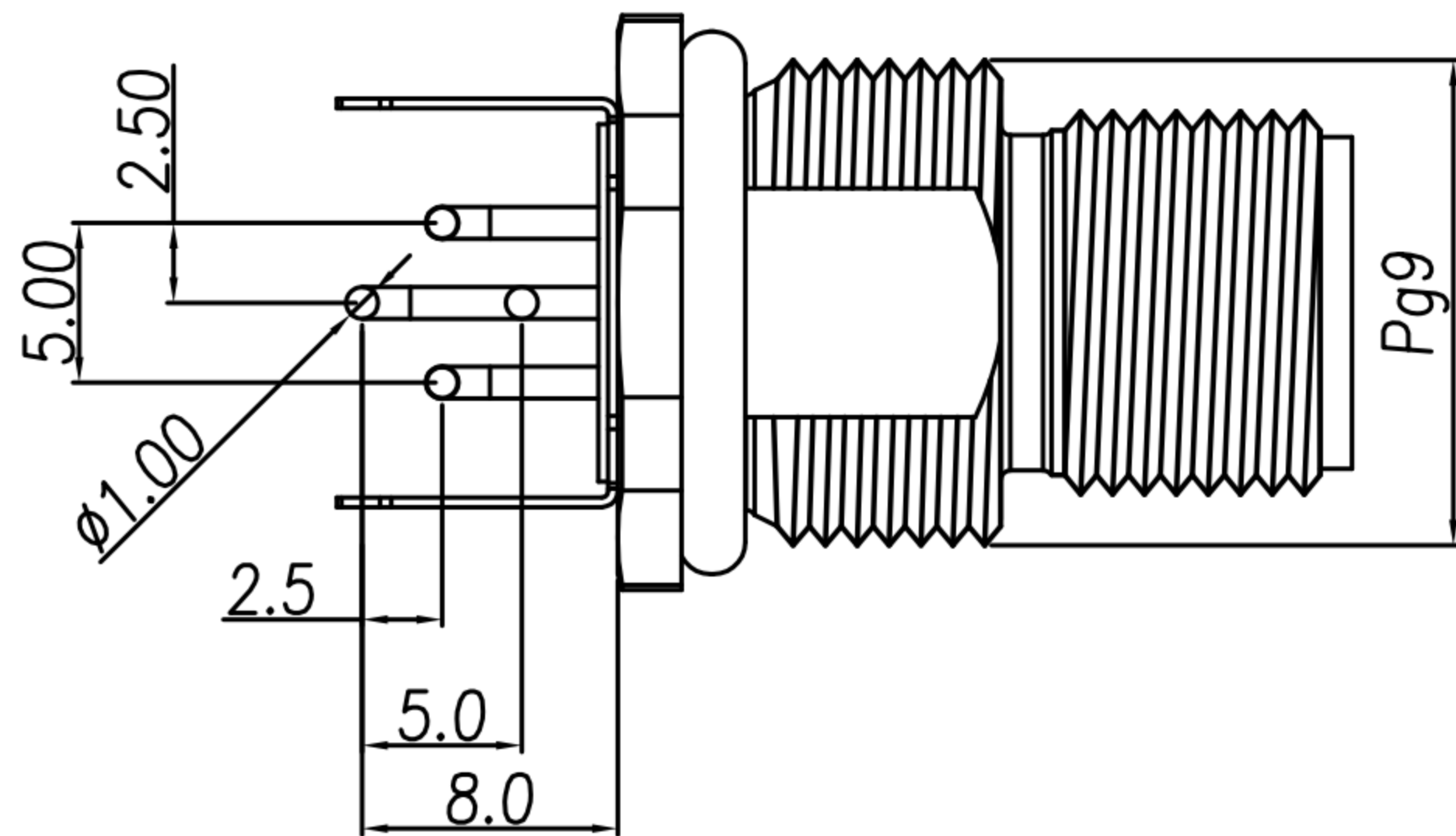
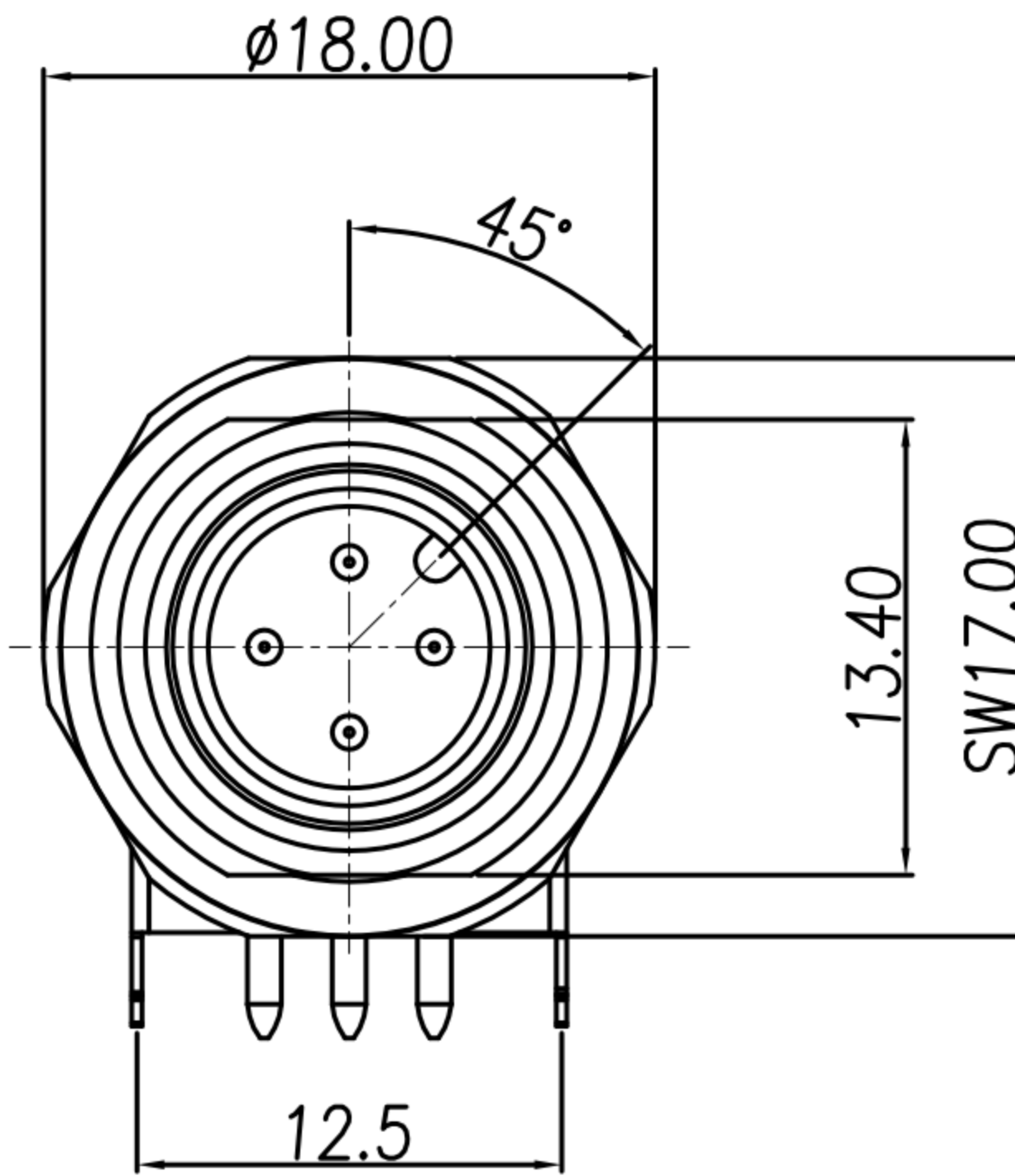
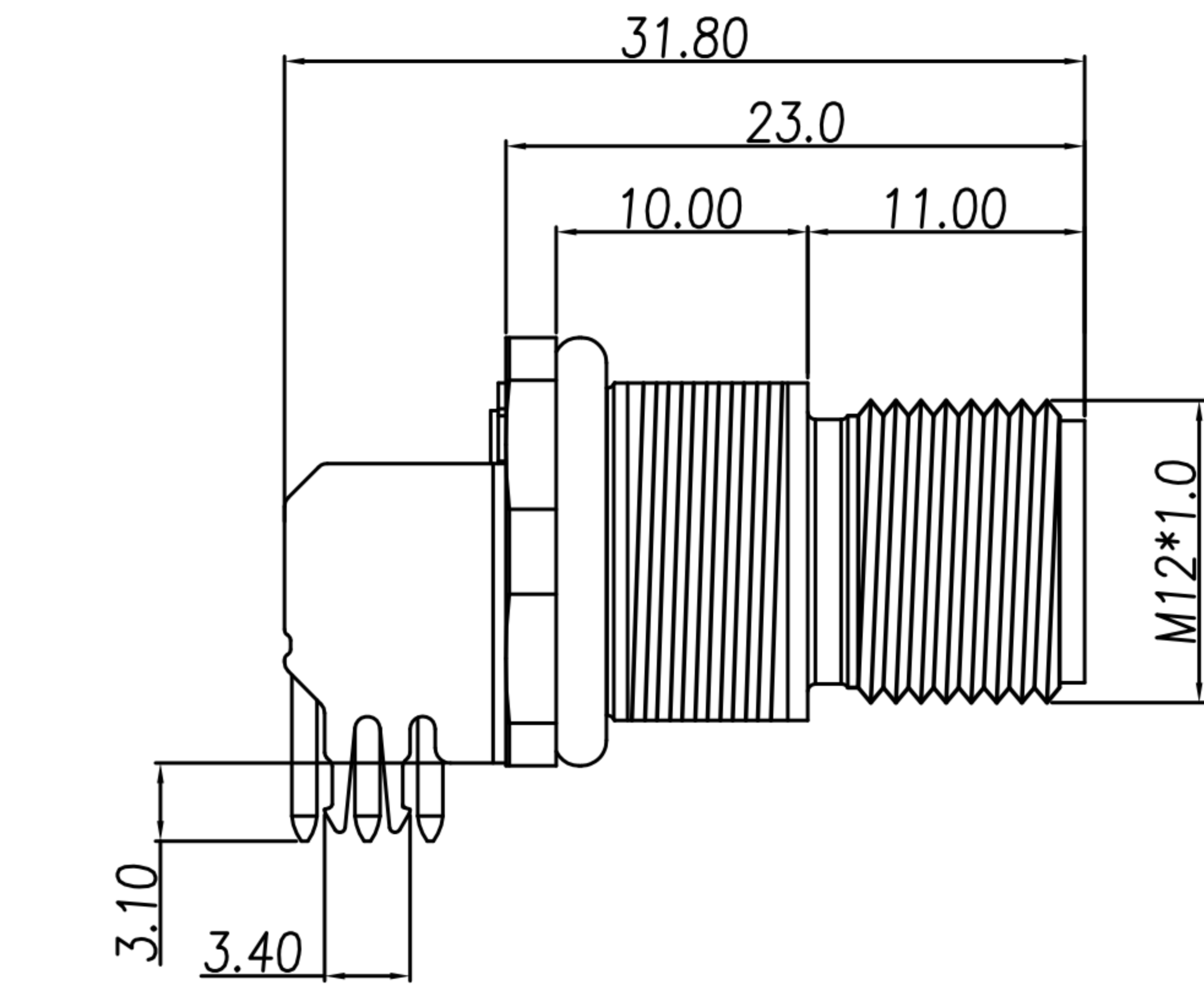
CUSTOMER DRAWING

REV.	DESCRIPTION	APPROVED BY	DATE	ECN NO.
A				
B				
C				

- MATERIAL :
  - 1-1. HOUSING : PBT UL94V-0 ; COLOR : BLACK
  - 1-2. CONTACT : BRASS.
  - 1-3. NUT : BRASS.
  - 1-4. SHELL : BRASS.
  - 1-5. O-RING : EPDM
  - 1-6. GROUND : PHOSPHOR BRONZE
- FINISH :
  - 2-1. CONTACT : 10 MICRO INCHES MIN. GOLD PLATED  
UNDER PLATE : NICKEL
  - 2-2. NUT : NICKEL PLATED
  - 2-3. SHELL : NICKEL PLATED
  - 2-4. GROUND : BIRGHT TIN PLATED
- ELECTRICAL SPECIFICATION :
  - 3-1. Rated current : 4A
  - 3-2. Rated voltage : 2~4PIN 250V ; 5PIN 60V
  - 3-3. Water proof : IP68 When Un-mated
- Environmental :
  - 4-1. Operation Temperature : -40℃~85℃

TABLE A

WP-05M2-95-11	WP-03M2-54-11	WP-03M2-55-11
WP-04M2-107-11	WP-02M2-37-11	



RECOMMEND PANEL CUT-OUT RECOMMEND P.C.B LAYOUT

DRAWN	Ku Chou	APP'D	Emily Suen	UNIT	mm	TOLERANCE		广东科斯达电子科技有限公司 GUANG DONG KE SI DA ELECTRONIC TECHNOLOGY CO., LTD.	TITLE	WP M12 A-CODE (M) 前鎖90° DIP+接地			SHEET	
CHK'D	Emily Suen			SCALE	1:1	.x ±0.20 .xx ±0.10 .xxx ±0.05 .xxxx ±0.01 ANGULA ±1°			PART NO.	SEE TABLE A	DWG NO.	QC7311	VERSION	