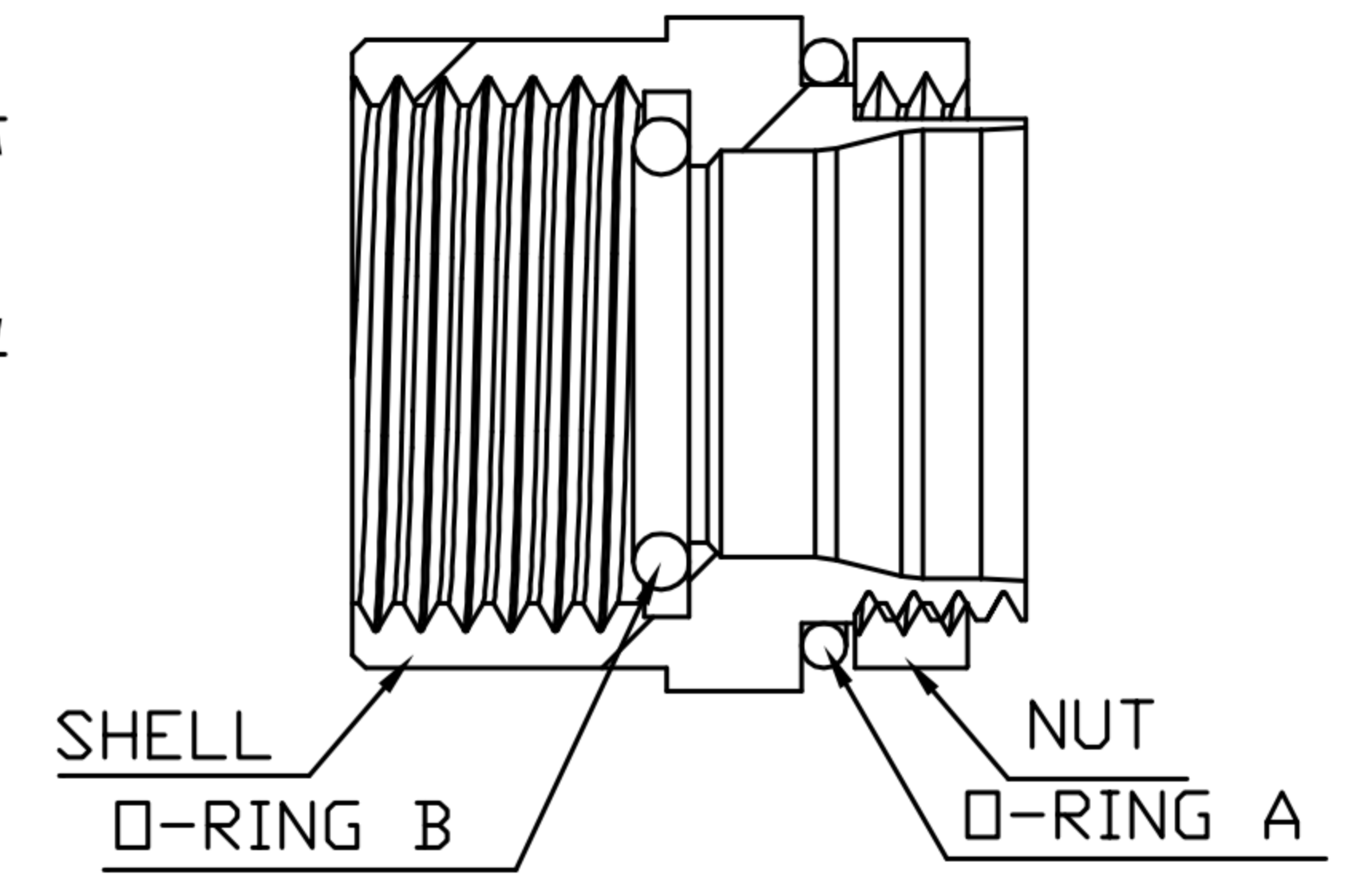
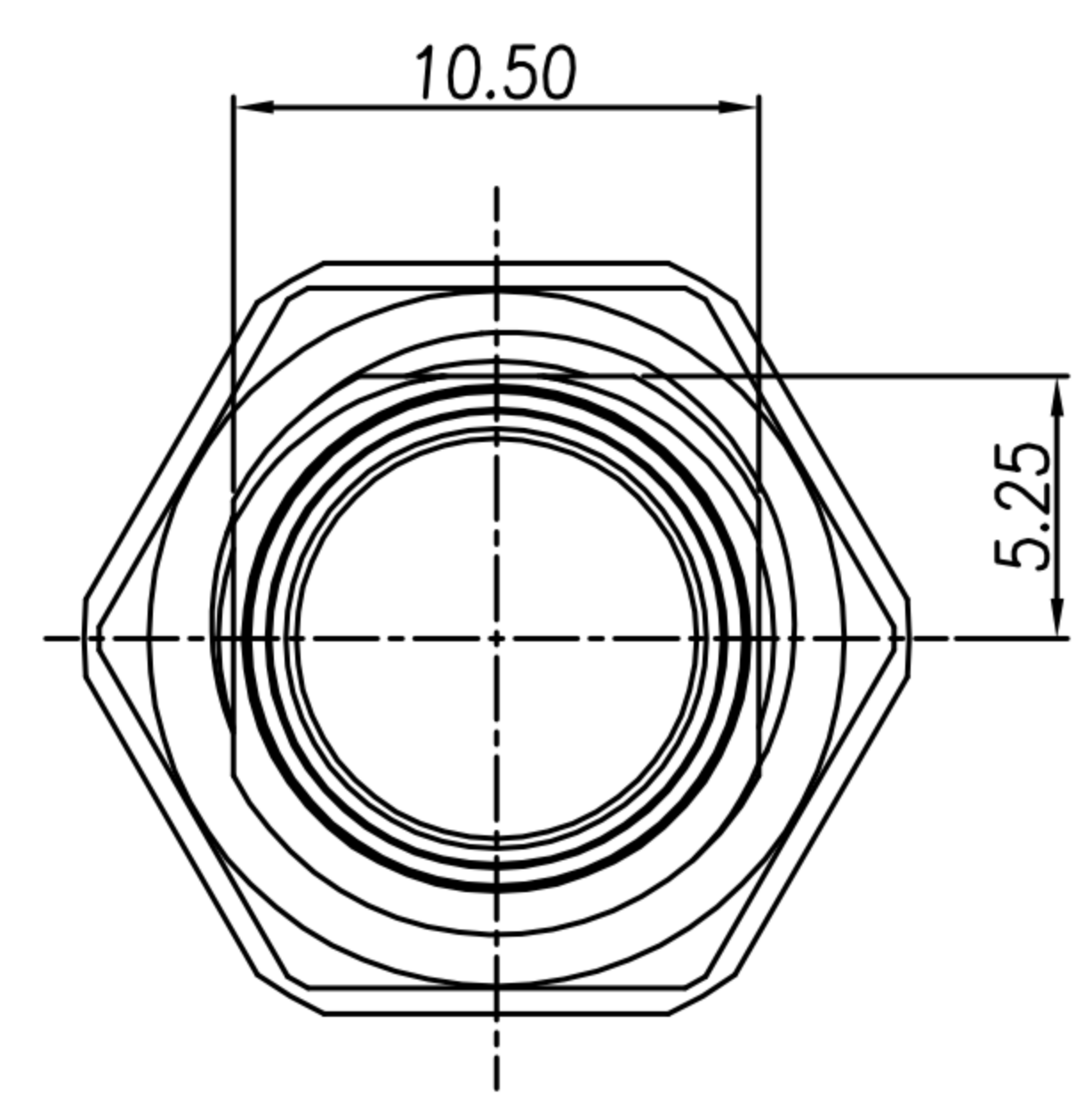
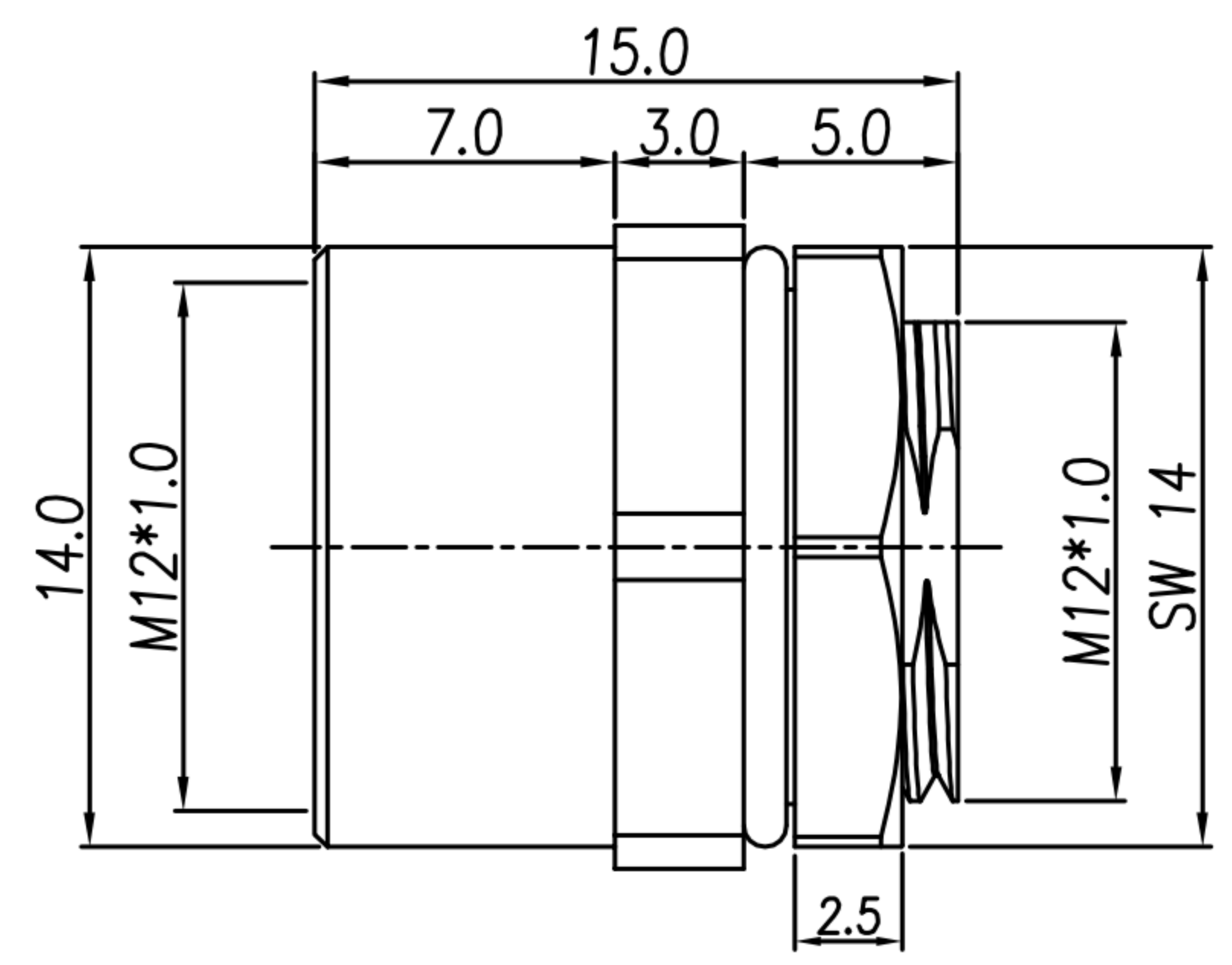
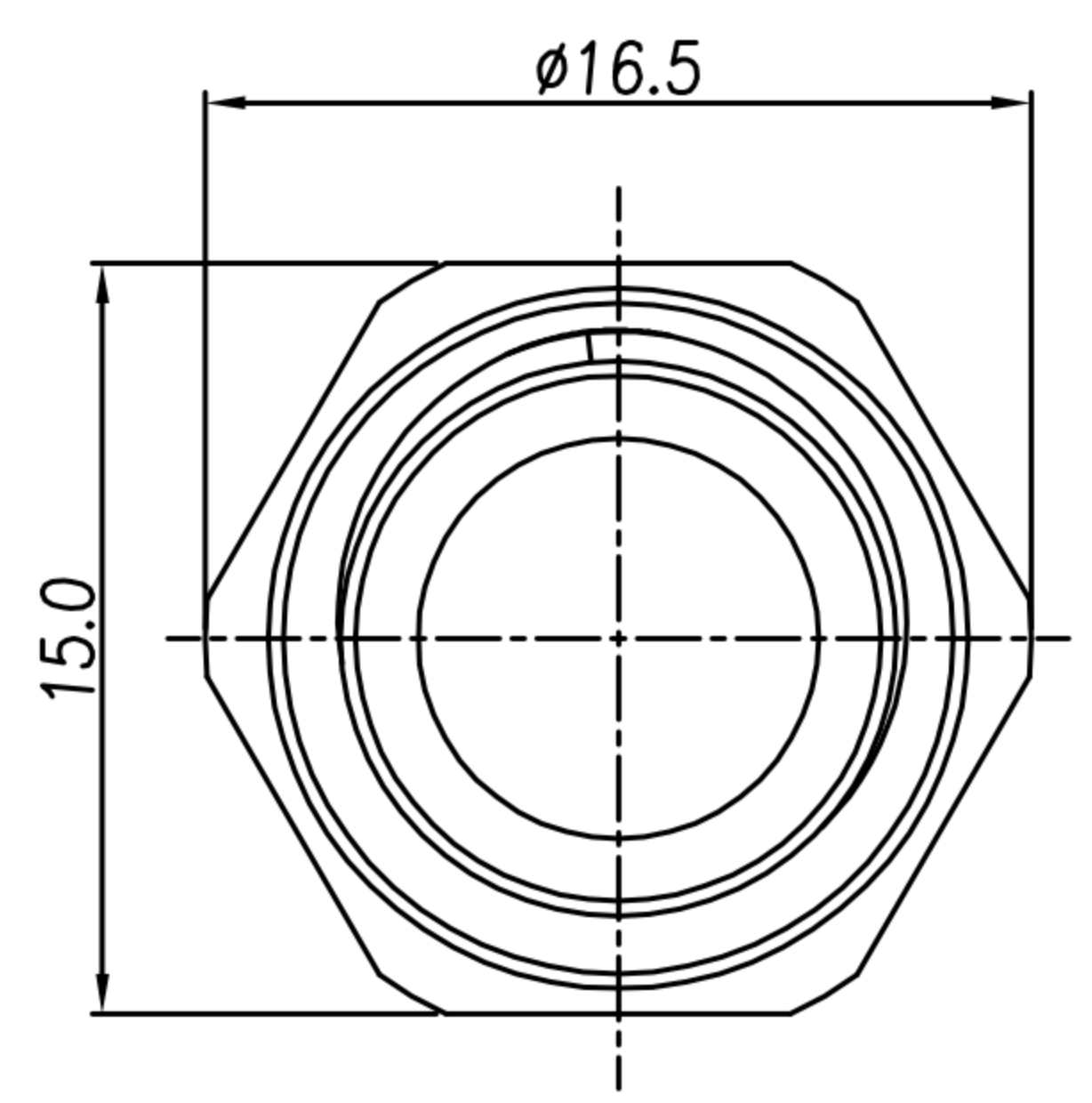


REV.	DESCRIPTION	APPROVED BY	DATE	ECN NO.
△A	RELEASE	LED	12/12/22'	
△B				
△C				

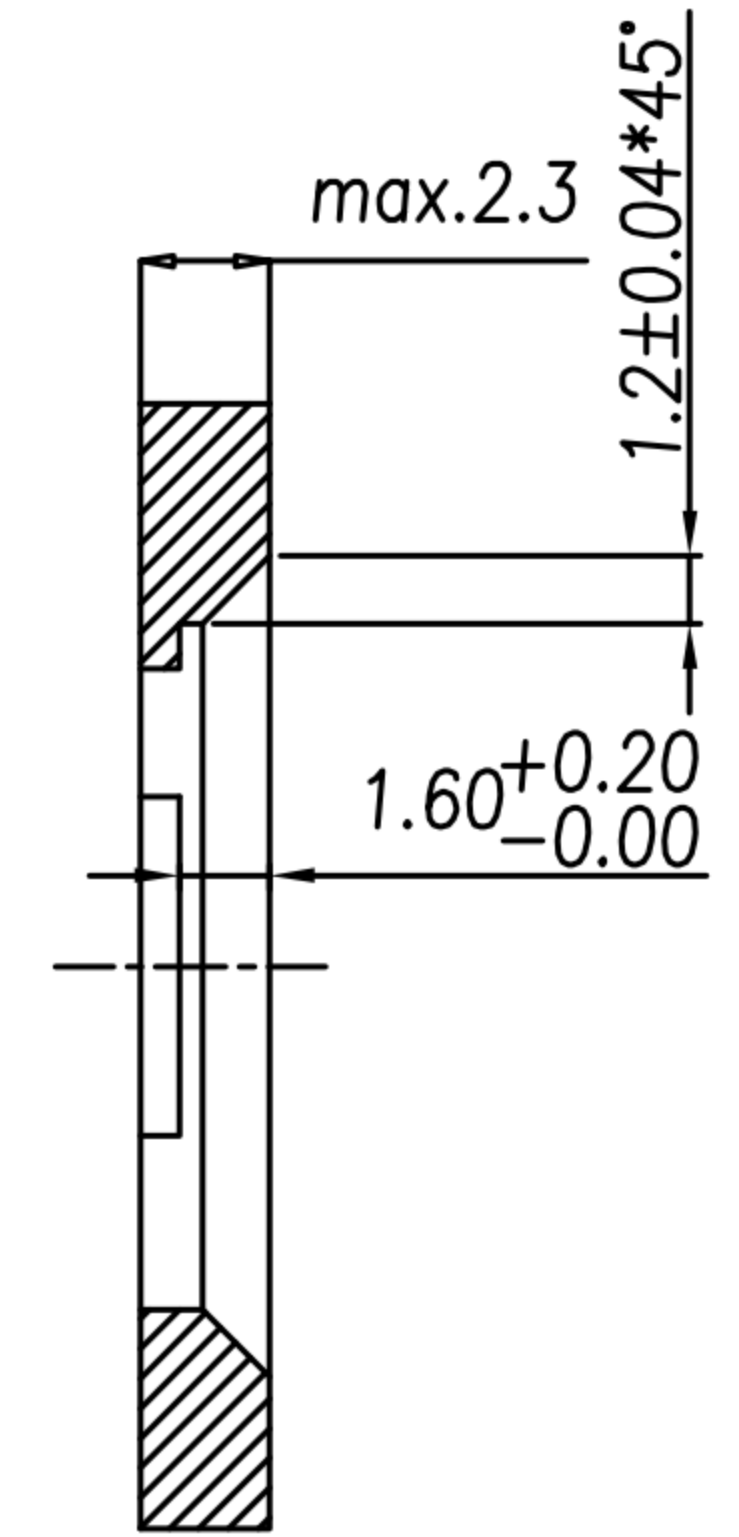
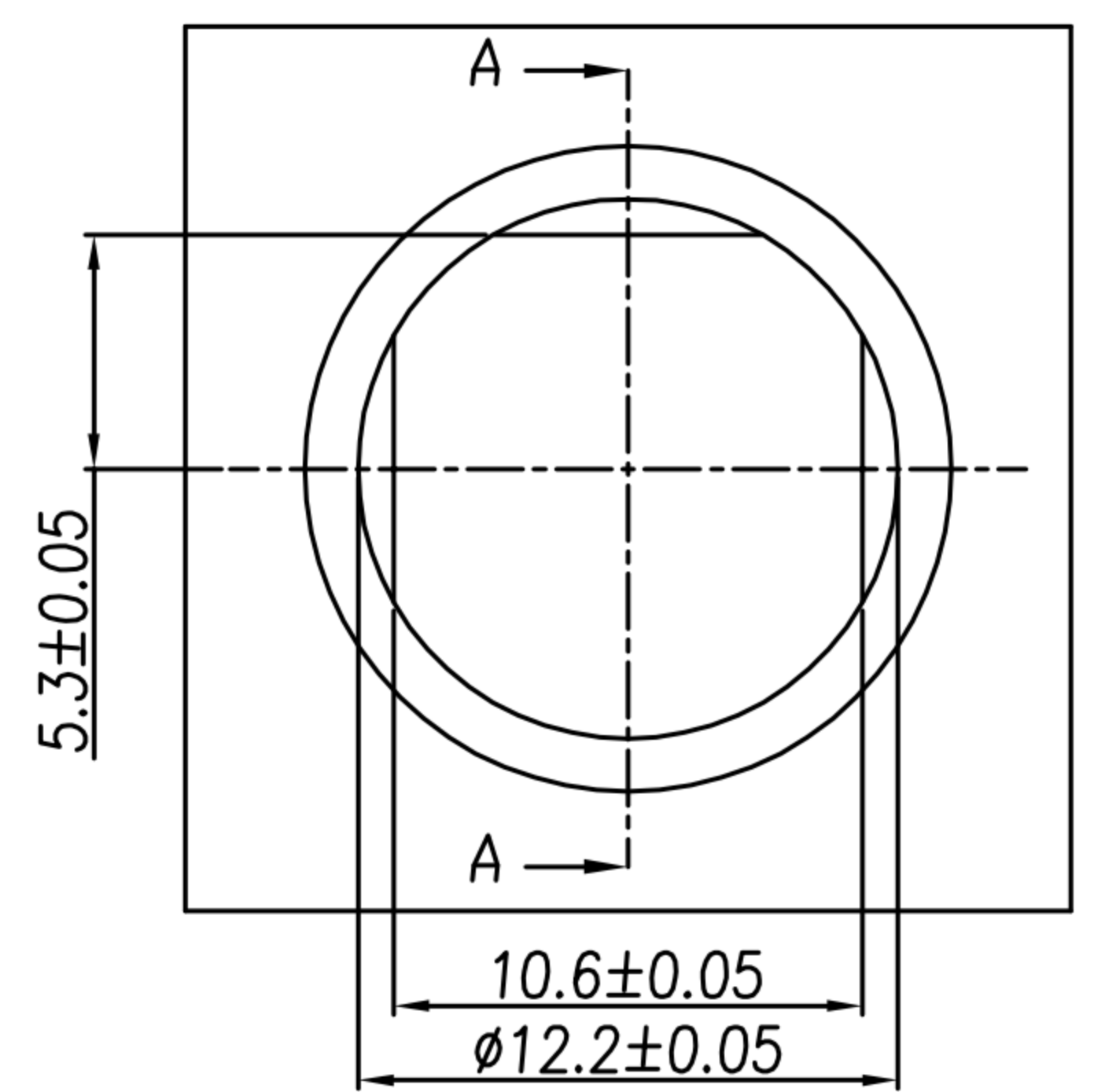
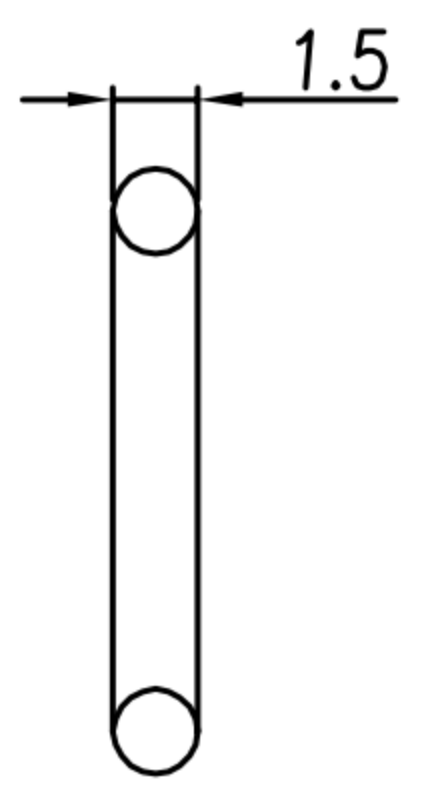
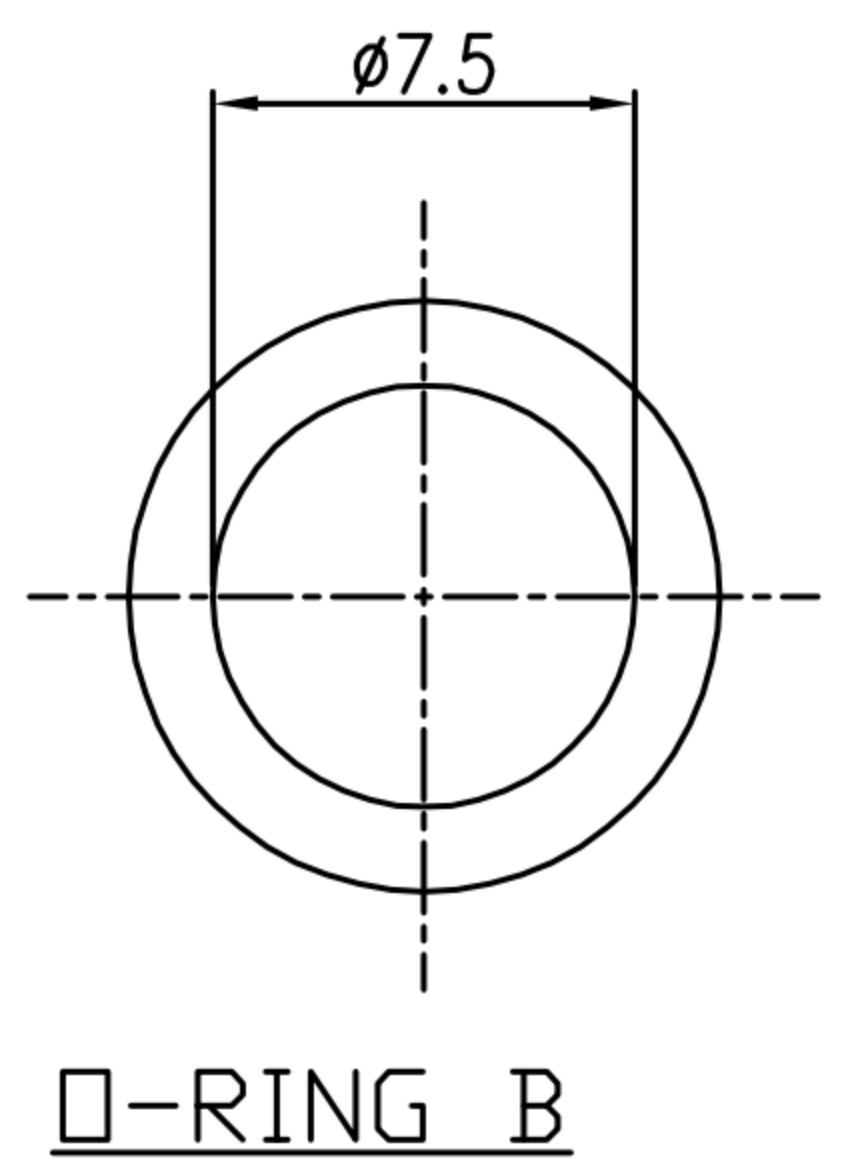
CUSTOMER DRAWING



SHELL+O-RING A+NUT

ASS'y

Installation recommendation



Section A-A

- MATERIAL :
 - 1-1. SHELL : BRASS
 - 1-2. O-RING A: EPDM
 - 1-3. NUT : BRASS
 - 1-4. O-RING B : VITON
- FINISH :
 - 2-1. SHELL : NICKEL PLATED
 - 2-2. NUT : NICKEL PLATED

DRAWN	LED	APPEND	Fido Weng	UNIT	mm	TOLERANCE			TITLE	M12 螺M12*1.0 Two-piece(F)(螺 L=15)			SHEET
CHOKED	Emily Suen			SCALE	1:1	.x ±0.20 .xx ±0.10 .xxx ±0.05 .xxxx ±0.03 ANGULA ±1°			PART NO.	NY-WP2076-11	DWG NO.	QC10632	VERSION