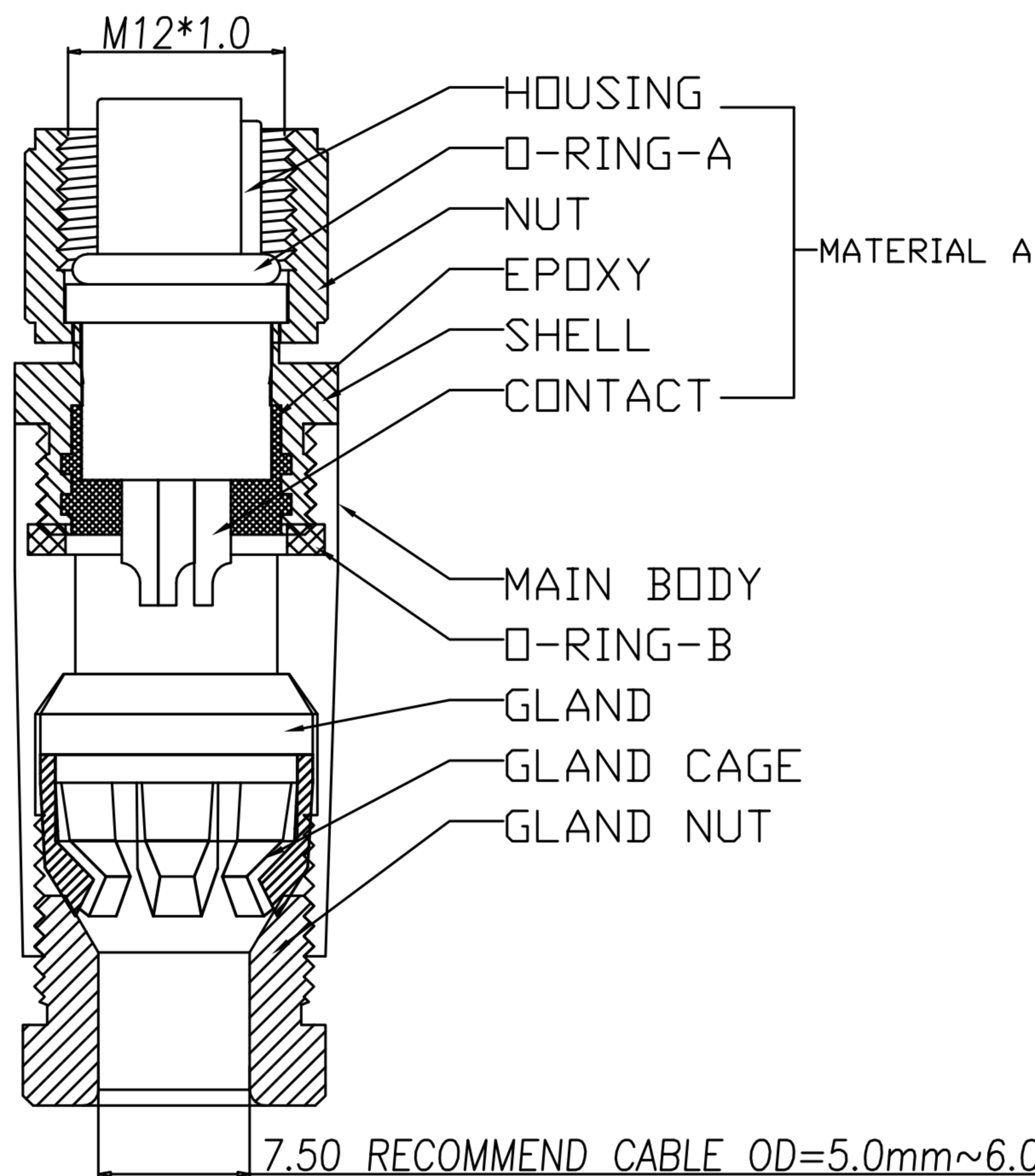
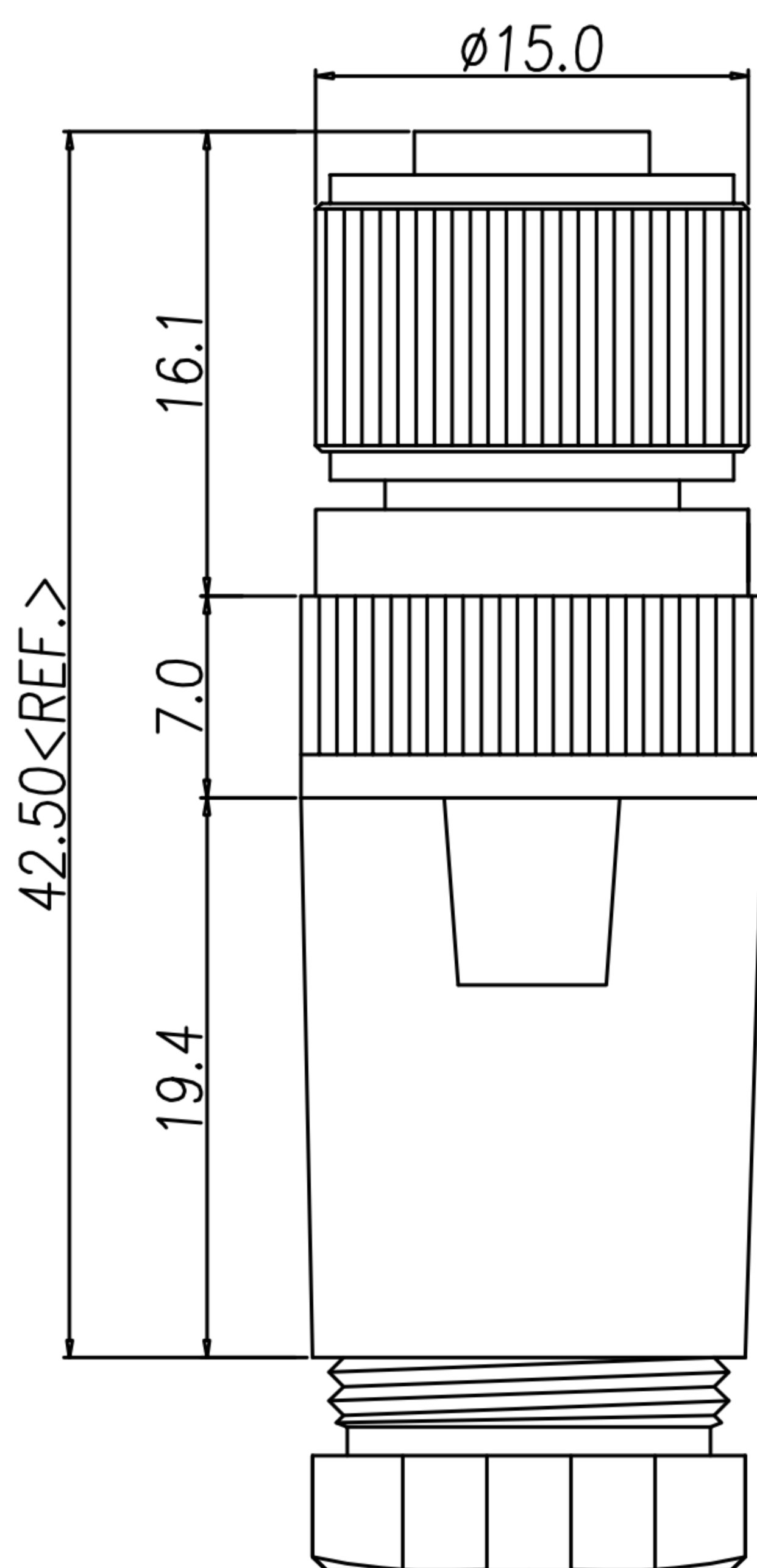
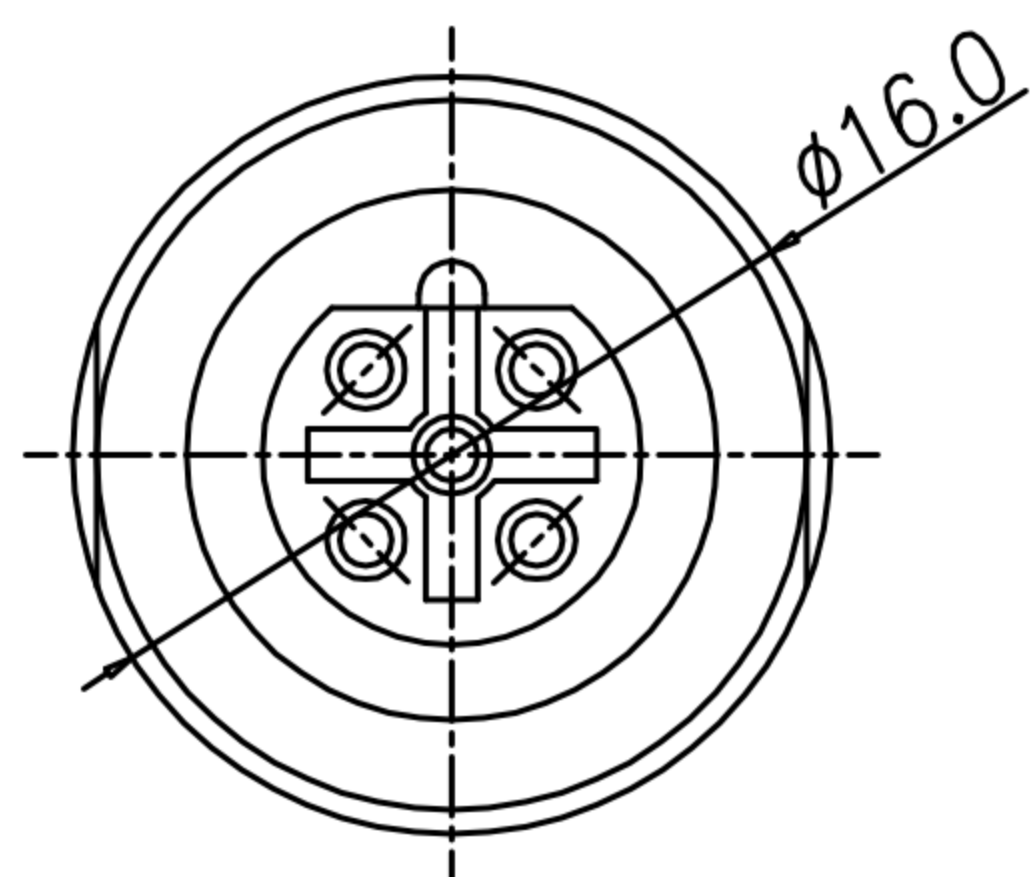


CUSTOMER DRAWING

REV.	DESCRIPTION	APPROVED BY	DATE	ECN NO.
△A	RELEASE	Fido Weng	26/02/20*	
△B				
△C				

TABLE A

WP-05F2-192-11	WP-04F2-255-11	WP-03F2-144-11	WP-02F2-85-11



1. MATERIAL :
 - 1-1. MATERIAL A :
 - a. HOUSING : PBT UL94V-0 ; COLOR : BLACK.
 - b. CONTACT : BRASS
 - c. NUT : ALUMINUM ALLOY
 - d. SHELL : ALUMINUM ALLOY
 - e. O-RING A : EPDM ; COLOR : BLACK
 - 1-2. MAIN BODY : ALUMINUM ALLOY
 - 1-3. GLAND : SILICONE COLOR : BLACK.
 - 1-4. GLAND CAGE : POM ; COLOR : BLACK.
 - 1-5. GLAND NUT : ALUMINIUM ALLOY
 - 1-6. O-RING B : SILICONE ; COLOR : BLACK.
2. FINISH :
 - 2-1. MATERIAL A :
 - a. CONTACT : GOLD FLASH MICRO INCHES MIN.
UNDER PLATE : NICKEL.
 - b. NUT : SATIN NICKEL PLATED.
 - c. SHELL : SATIN NICKEL PLATED.
 - 2-2. MAIN BODY : SATIN NICKEL PLATED.
 - 2-3. GLAND NUT : SATIN NICKEL PLATED.
3. ELECTRICAL SPECIFICATION :
 - 3-1. Rated current : 4A
 - 3-2. Rated voltage : 2~4PIN 250V ; 5PIN 60V
 - 3-3. Water proof : IP67/IP68
4. Environmental :
 - 4-1. Operation Temperature : -20℃~85℃

DRAWN	Ku Chou	APP'D	Emily Suen	UNIT	mm	TOLERANCE			TITLE	M12 (F) B-coded Assembly type			SHEET	1/2
CHK'D	Emily Suen			SCALE	1:1				PART NO.	SEE TABLE A	DWG NO.	QC9586	VERSION	A