

CUSTOMER DRAWING

REV.	DESCRIPTION	APPROVED BY	DATE	ECN NO.
A	RELEASE	Fido Weng	17/11/10'	
B	ADD/P/N	Ku Chou	04/06/19'	
C				

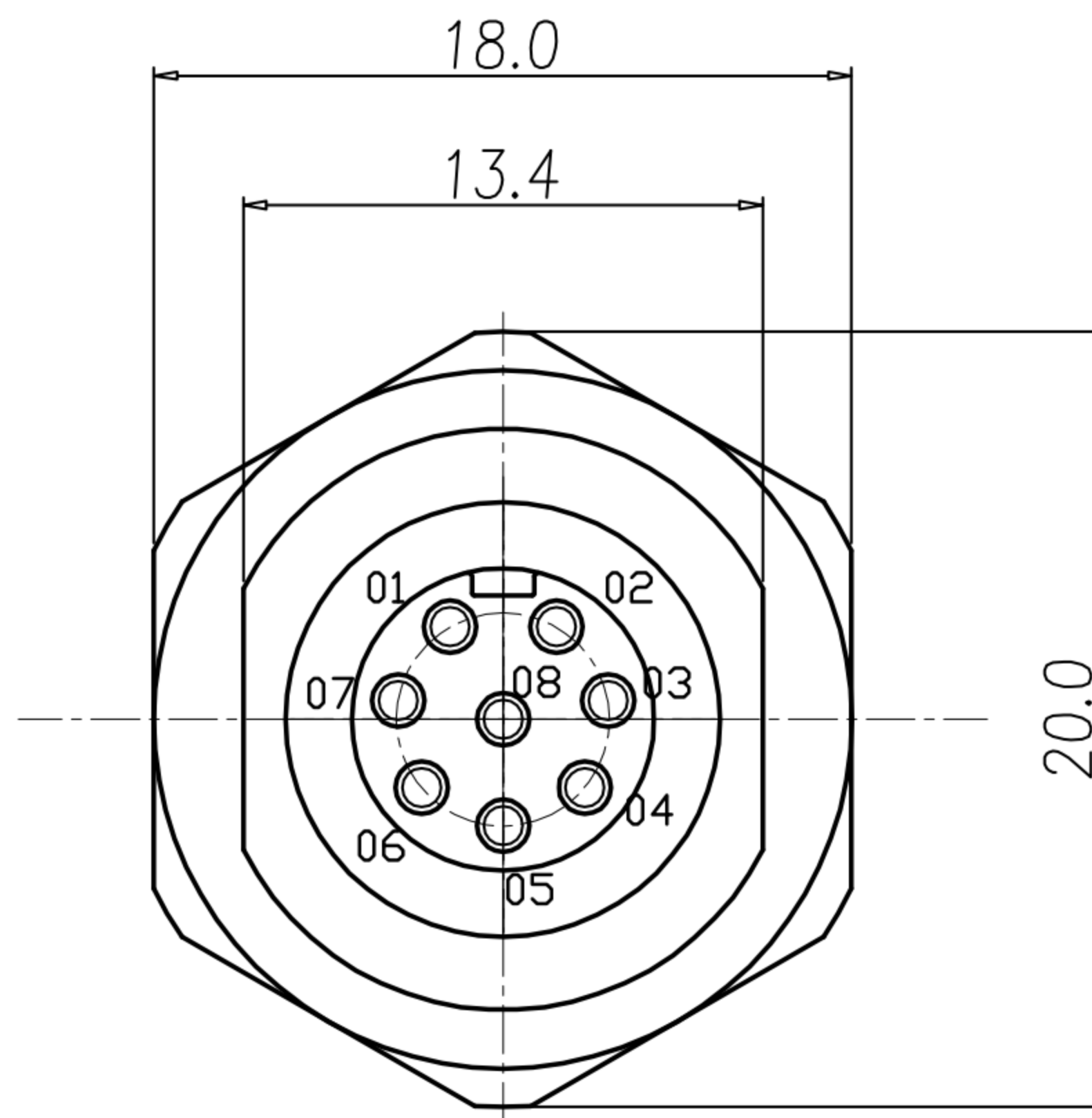
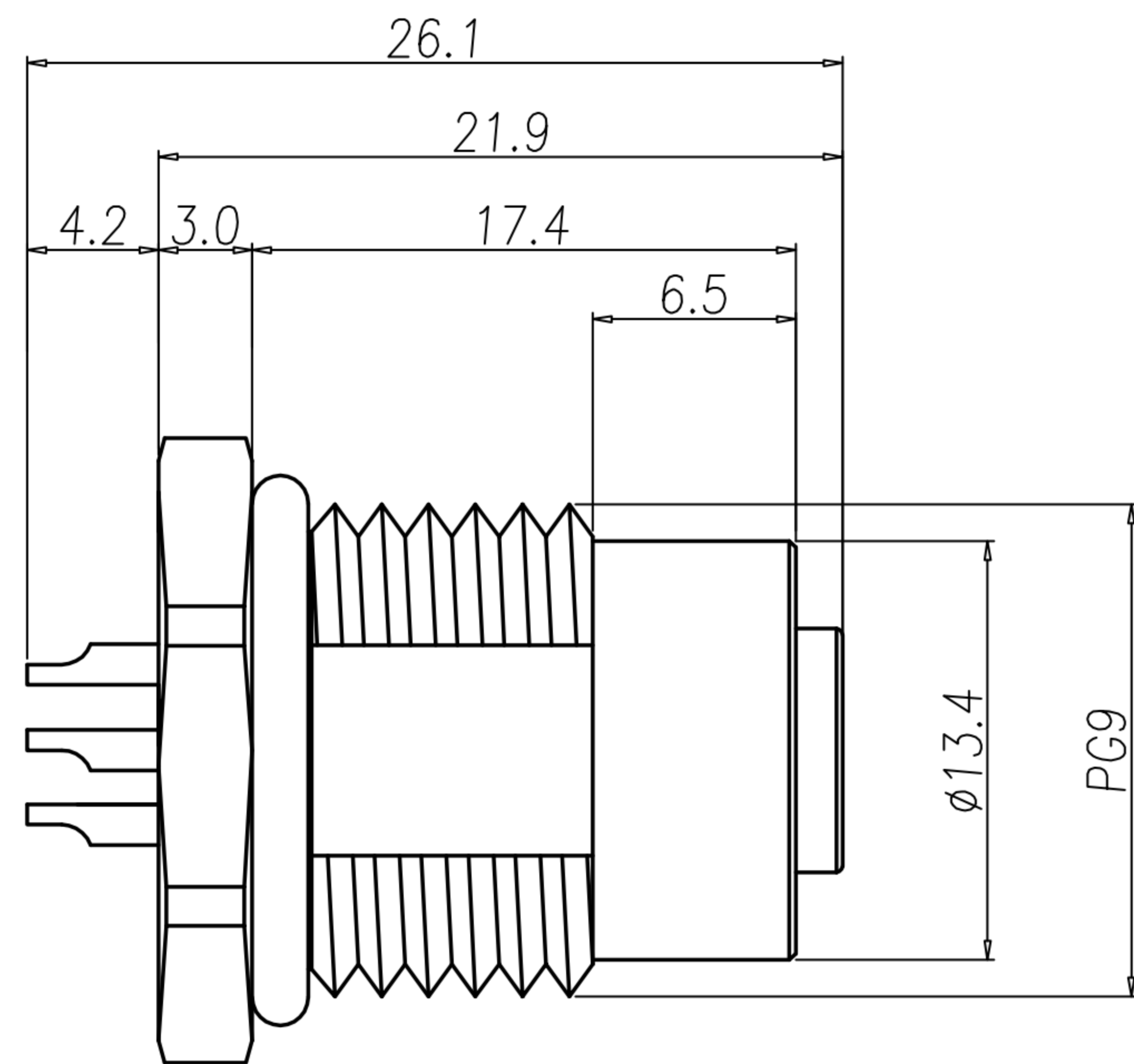
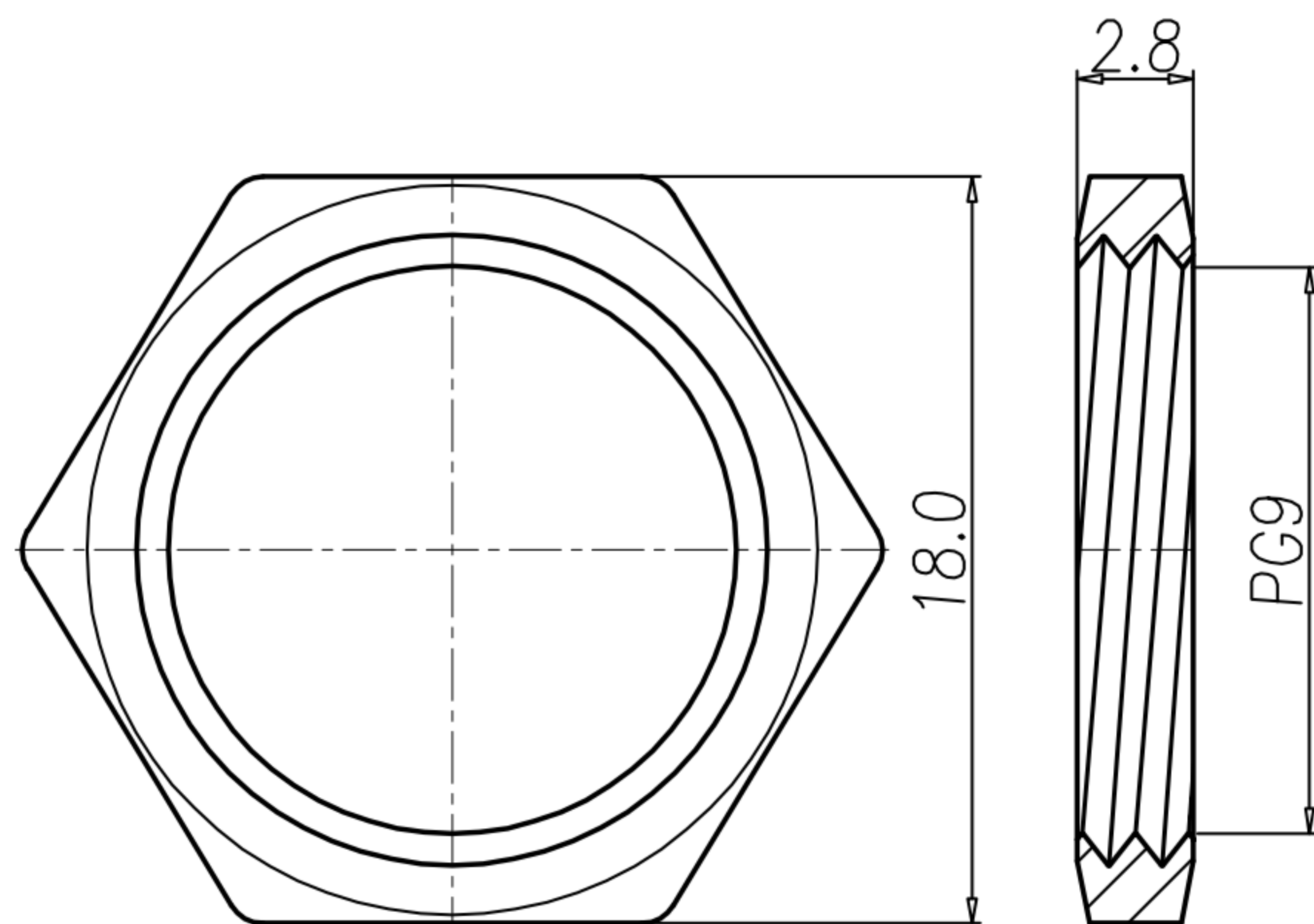
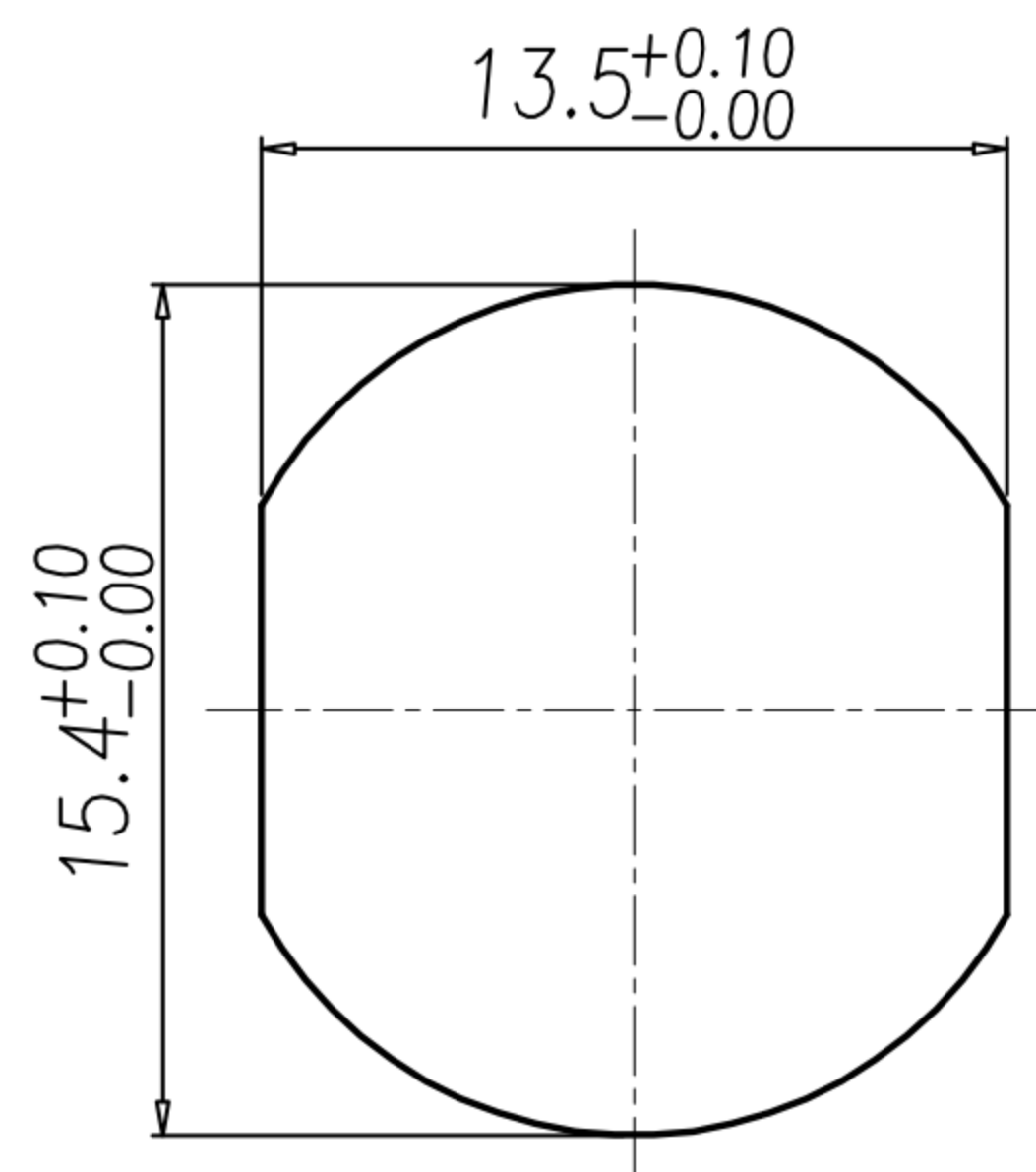


TABLE A

WP-08F2-34	WP-07F2-06-11
WP-06F2-73-11	WP-06F2-55-11



NUT



RECOMMENDPANEL CUT-OUT

- MATERIAL :
 - HOUSING : PBT UL94V-0 ; COLOR : BLACK
 - CONTACT : BRASS
 - NUT : BRASS
 - SHELL : BRASS
 - O-RING : EPDM
- FINISH :
 - CONTACT : GOLD FLASH.
UNDER PLATE : NICKEL
 - NUT : NICKEL PLATED
 - SHELL : NICKEL PLATED
- ELECTRICAL SPECIFICATION :
 - Rated current : 2A
 - Rated Voltage : 30V
 - Water proof : IPX7
- Environmental :
 - Operation Temperature : -40℃~85℃

DRAWN	Emily Suen	APPEND	Ku Chou	UNIT	mm	TOLERANCE		广东科斯达电子科技有限公司 GUANG DONG KE SI DA ELECTRONIC TECHNOLOGY CO., LTD.	TITLE	WP(F) PG9前侧洗雙邊線式			SHEET	1 VERSION B
CHKD	Ku Chou			SCALE	1:1	.x ±0.20 .xx ±0.10 .xxx ±0.05 .xxxx ±0.03 ANGULA ±1°			PART NO.	SEE TABLE A	DWG NO.	QC5896		