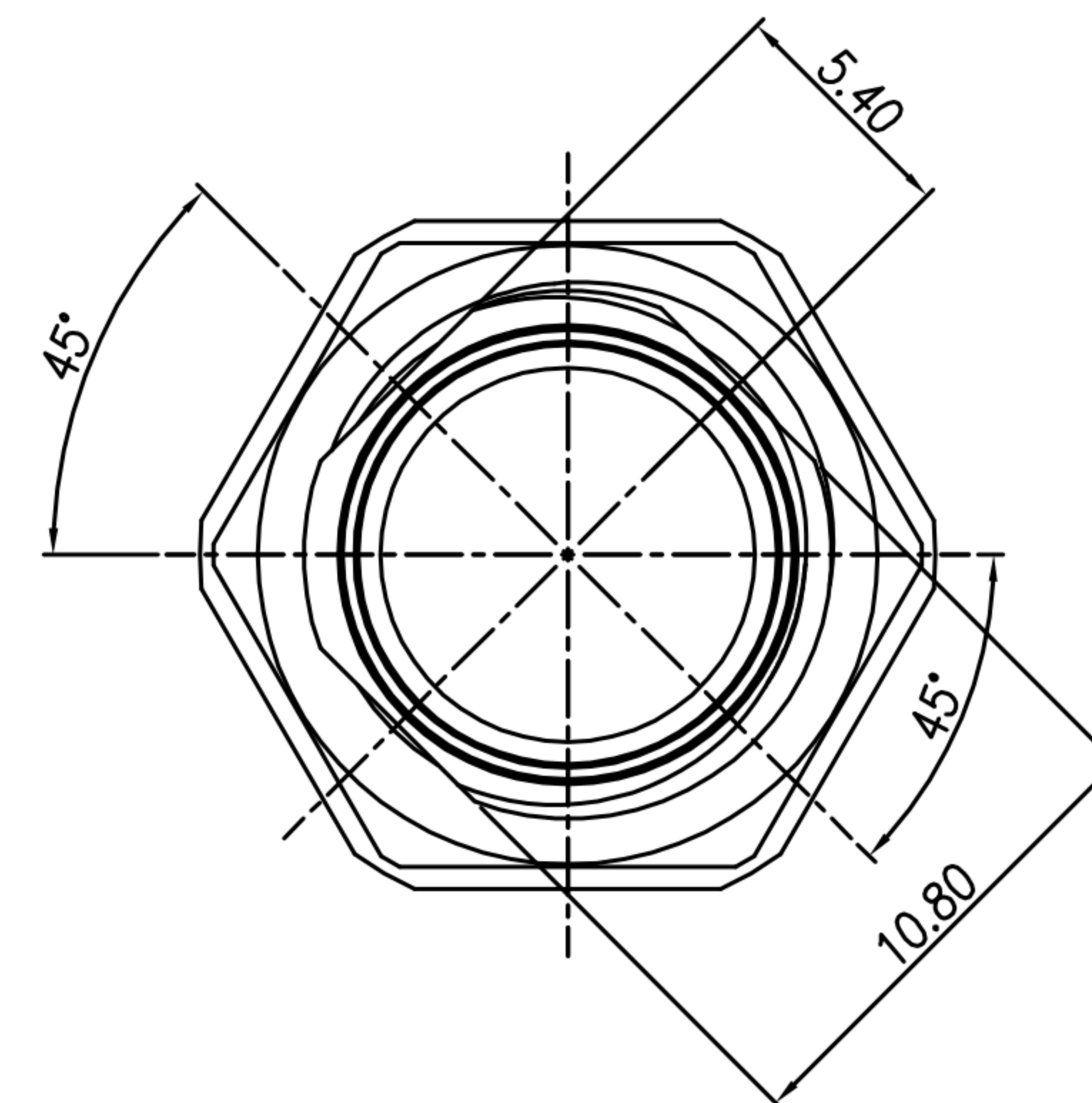
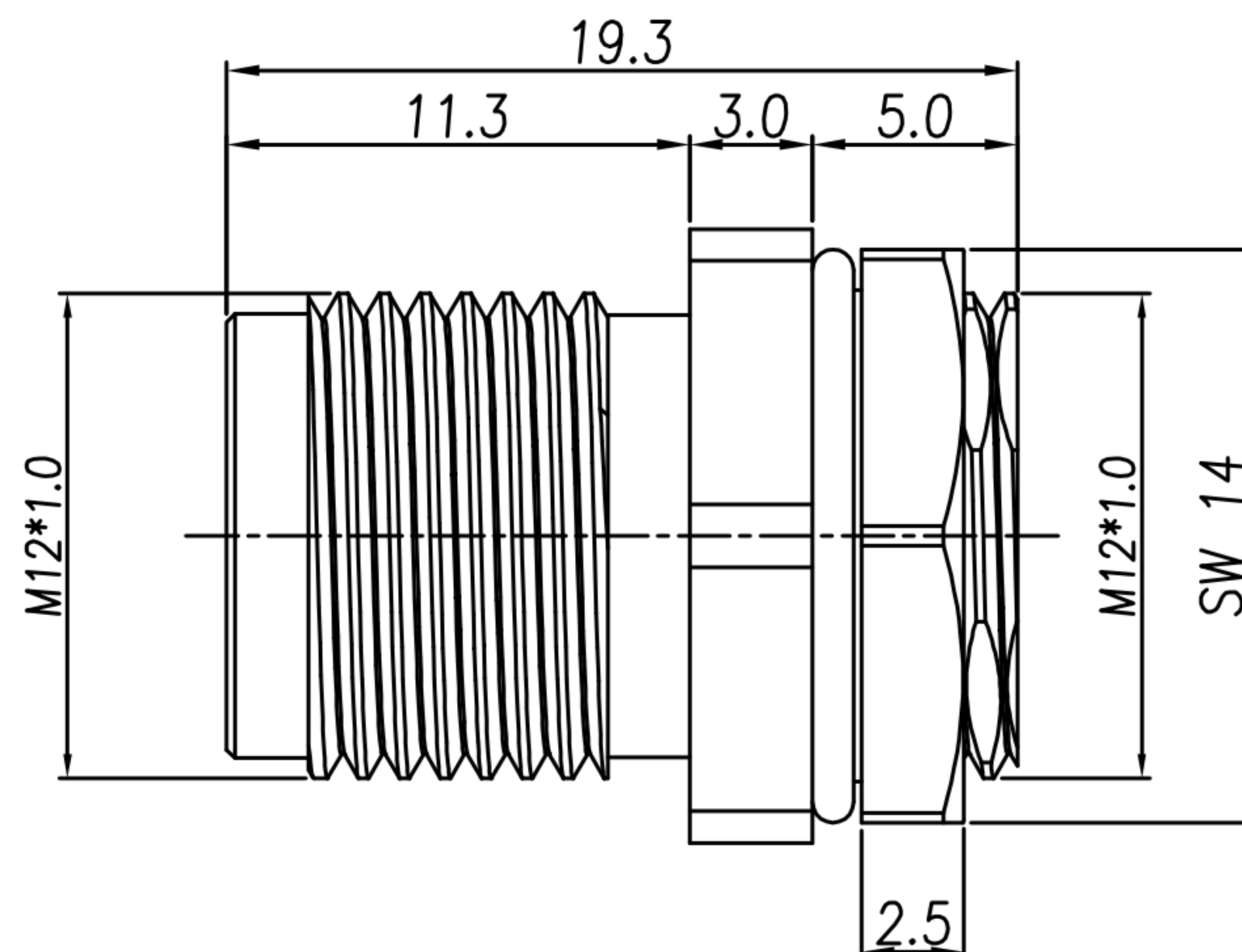
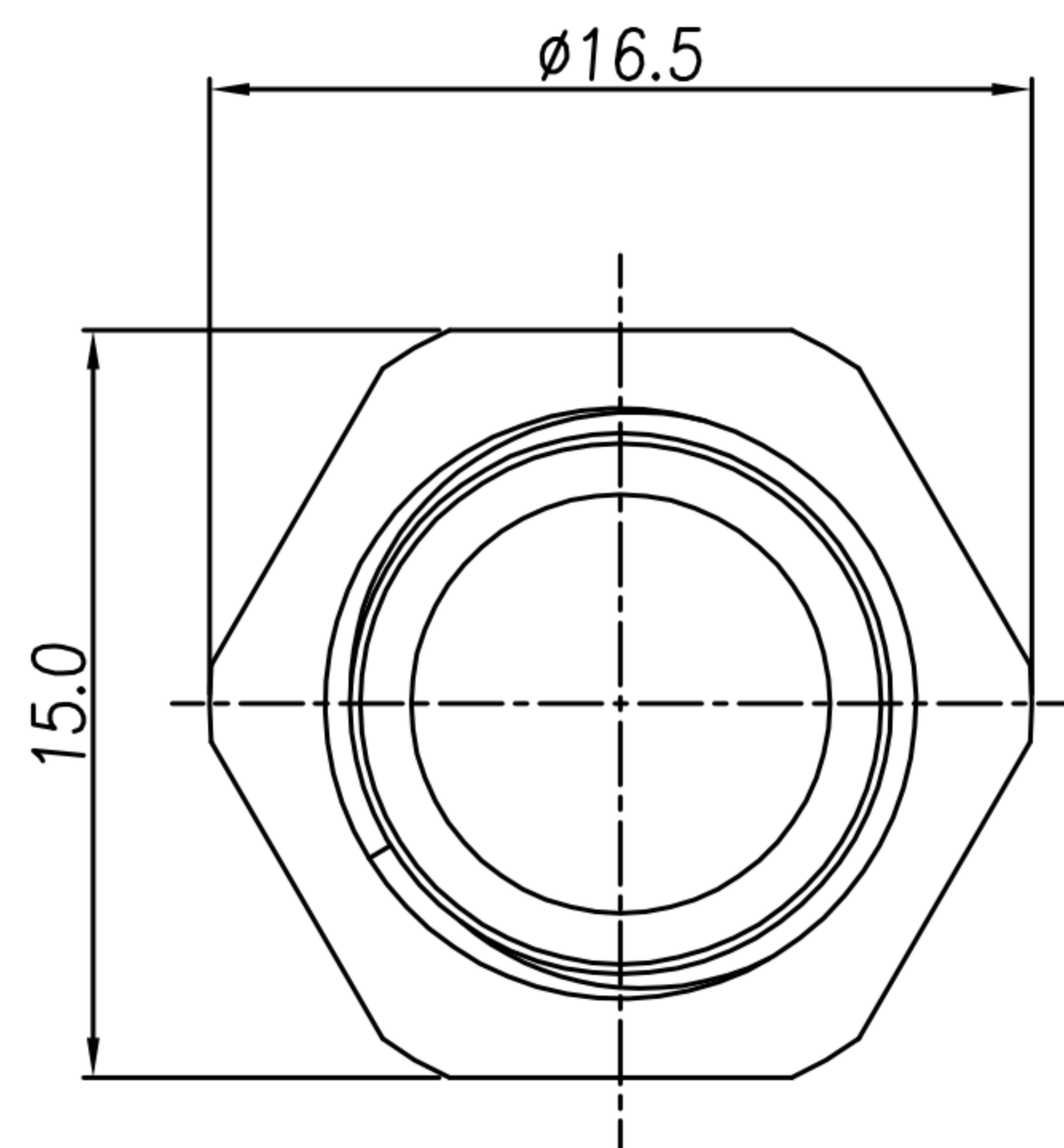


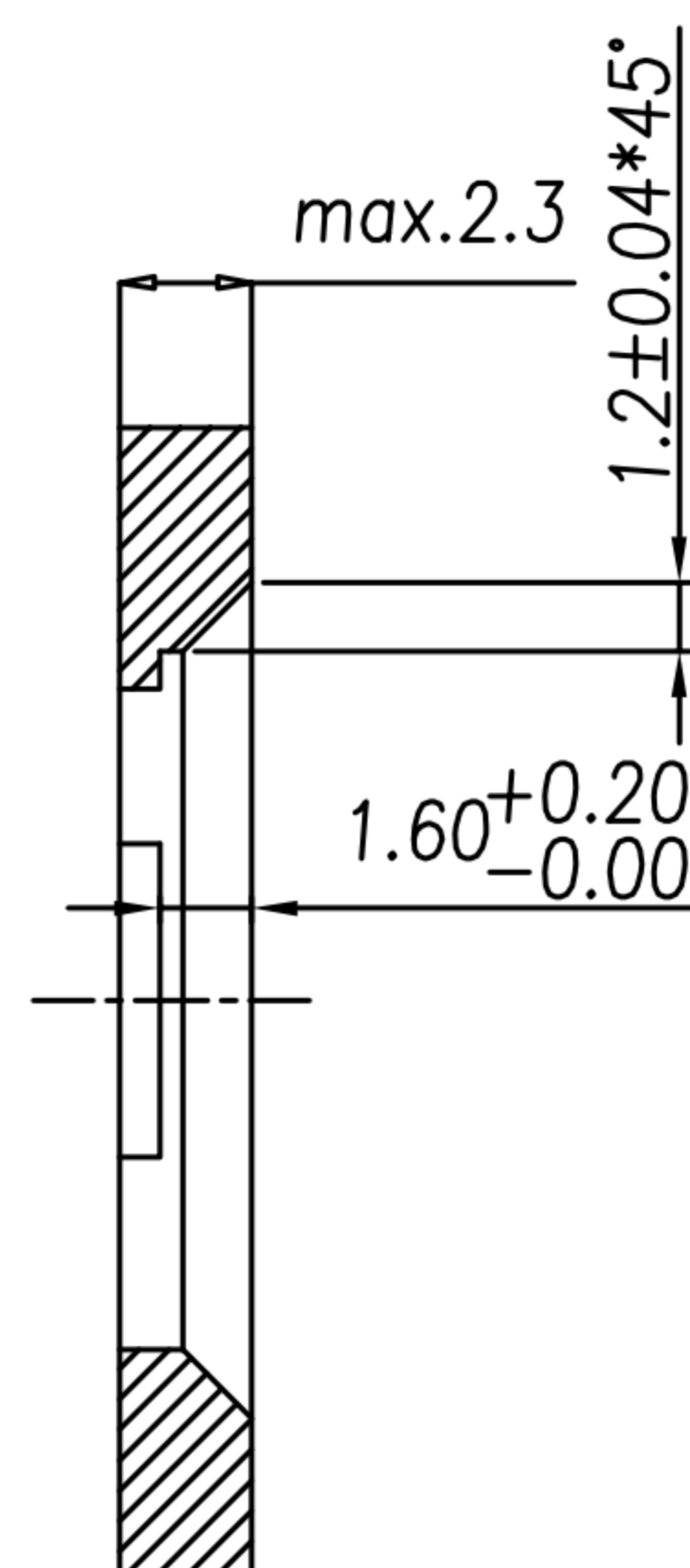
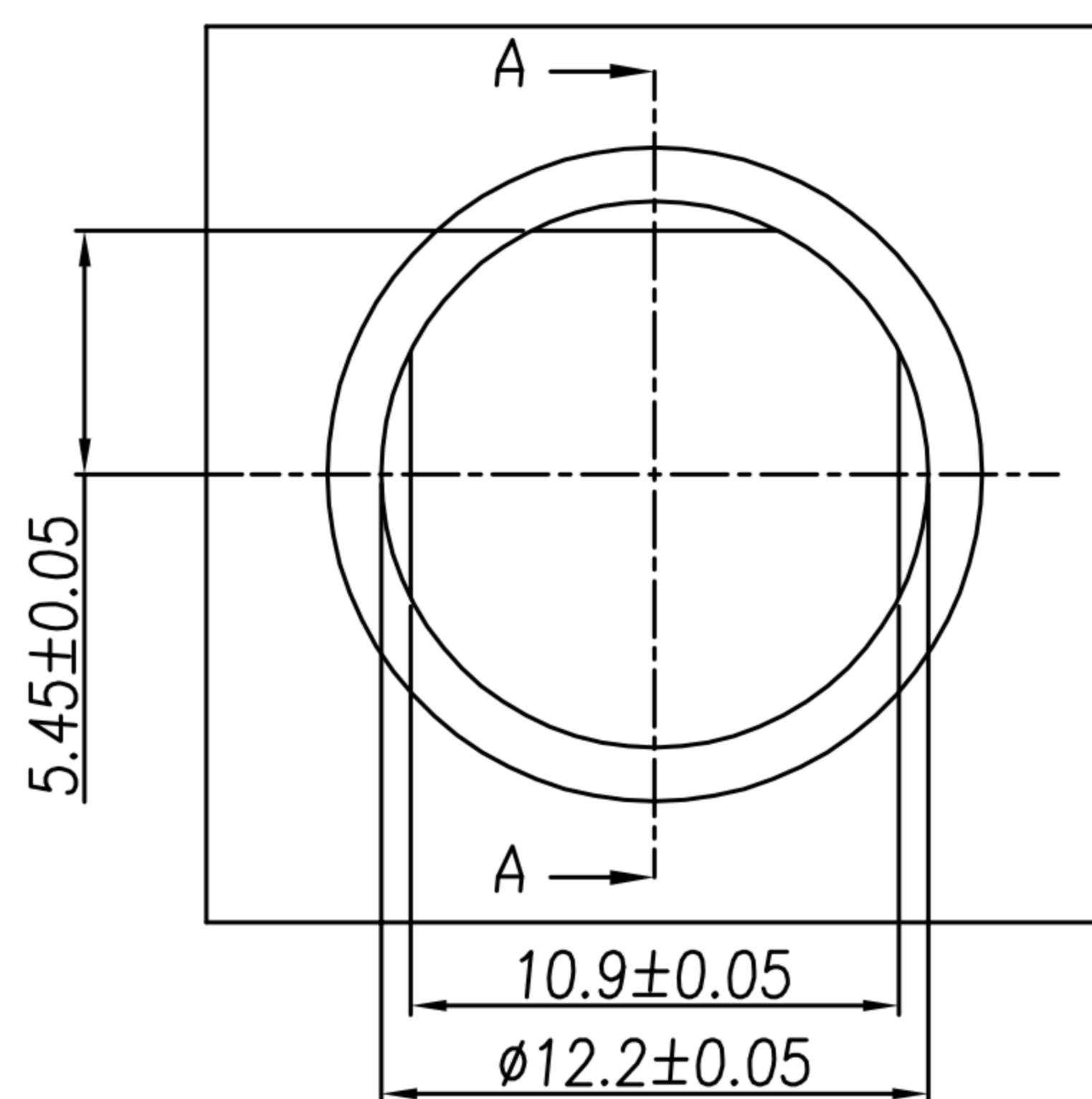
# CUSTOMER DRAWING

REV.	DESCRIPTION	APPROVED BY	DATE	ECN NO.
△A	RELEASE	LED	12/12/22'	
△B				
△C				



SHELL+O-RING +NUT

## Installation recommendation



Section A-A

- MATERIAL :
  - 1-1. SHELL : BRASS
  - 1-2. O-RING : EPDM
  - 1-3. NUT : BRASS
- FINISH :
  - 2-1. SHELL : NICKEL PLATED
  - 2-2. NUT : NICKEL PLATED

DRAWN	LED	APPEND	Fido Weng	UNIT	mm	TOLERANCE		广东科斯达电子科技有限公司 GUANG DONG KE SI DA ELECTRONIC TECHNOLOGY CO., LTD.	TITLE	M12 後M12*1.0 Two-piece (M) (總長 L=19.3)			SHEET	1 VERSION A
CHKD	Emily Suen			SCALE	1:1	.x ±0.20 .xx ±0.10 .xxx ±0.05 .xxxx ±0.03 ANGULA ±1°			PART NO.	NY-WP2077-11	DWG NO.	QC10634		