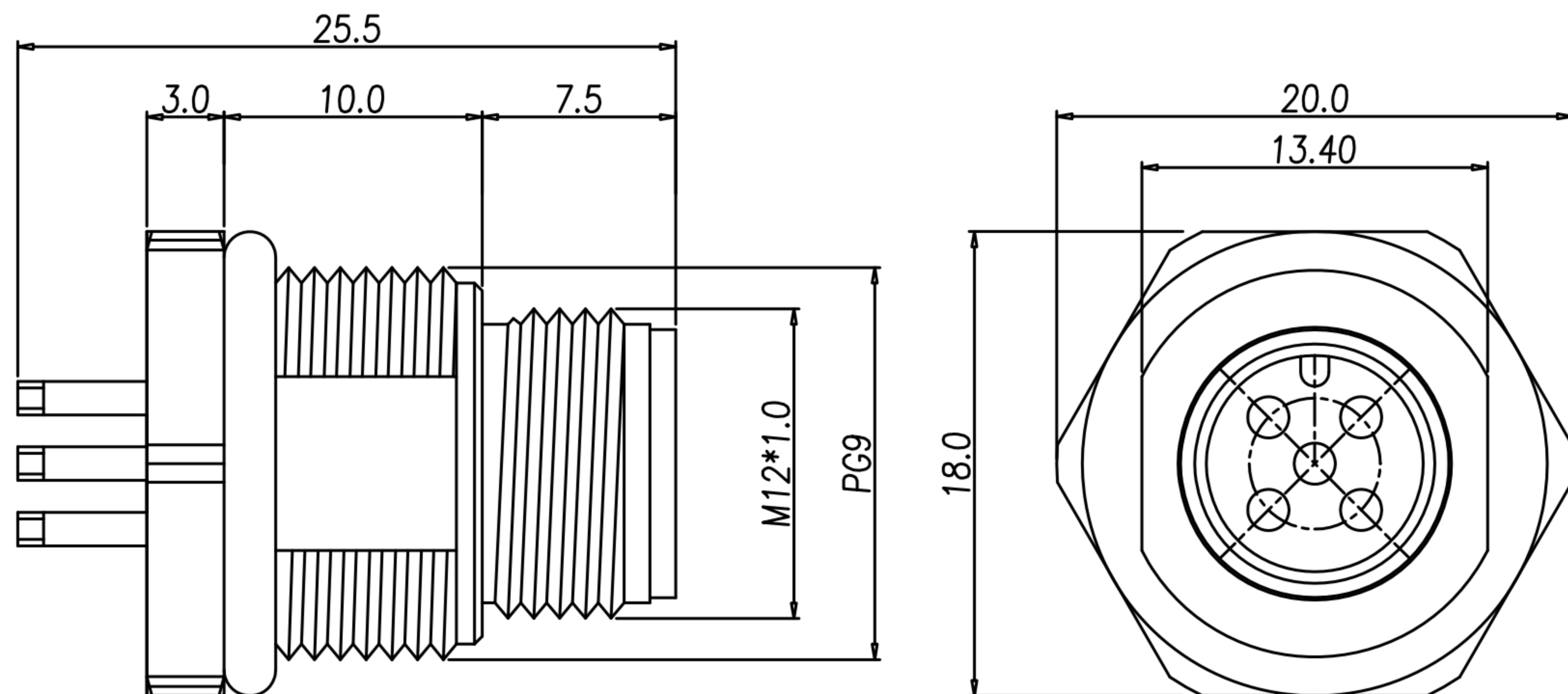


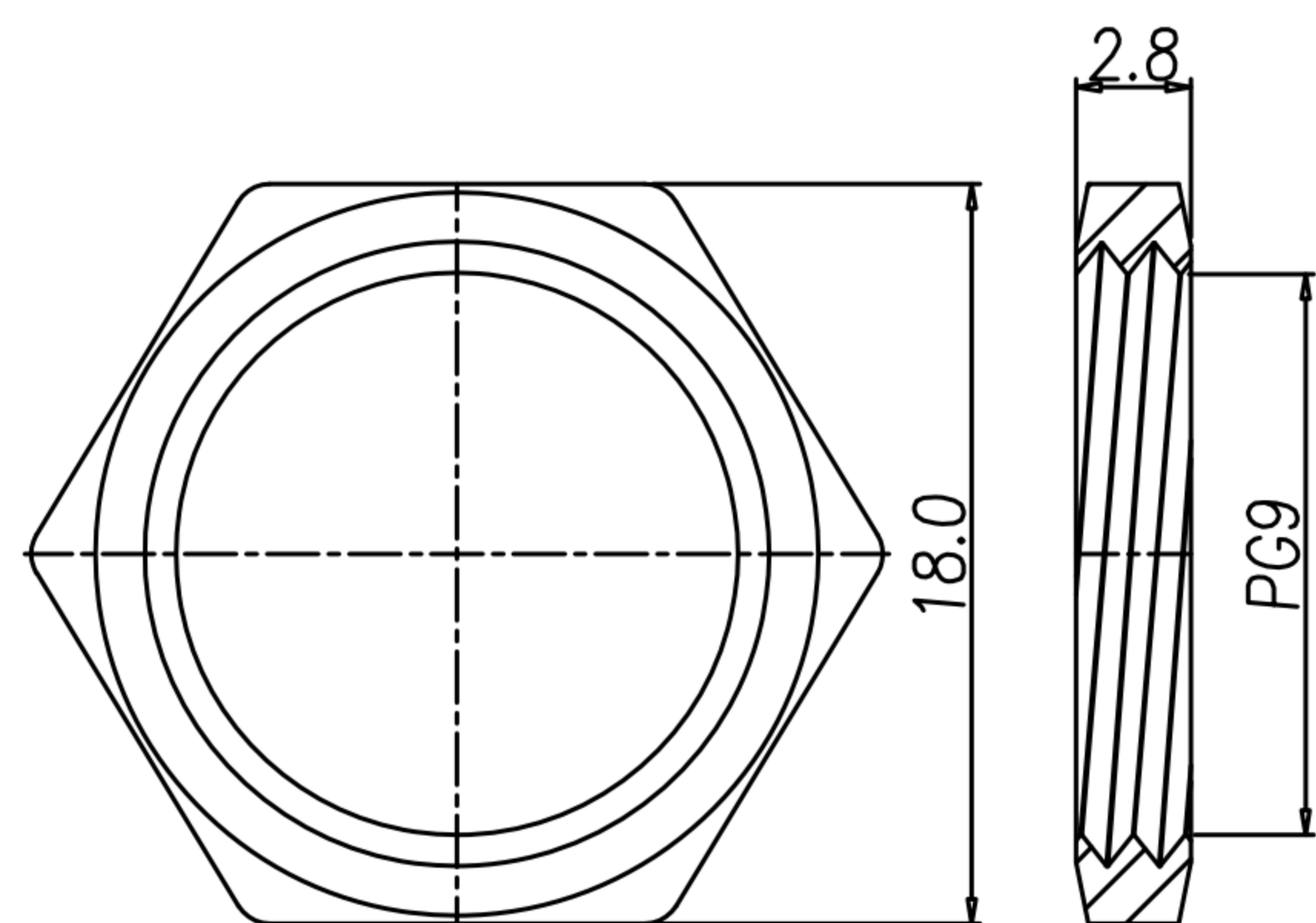
# CUSTOMER DRAWING

REV.	DESCRIPTION	APPROVED BY	DATE	ECN NO.
△A	RELEASE	Fido Weng	22/11/11'	
△B	ADD TABLE A	Fido Weng	06/11/13'	
△C				

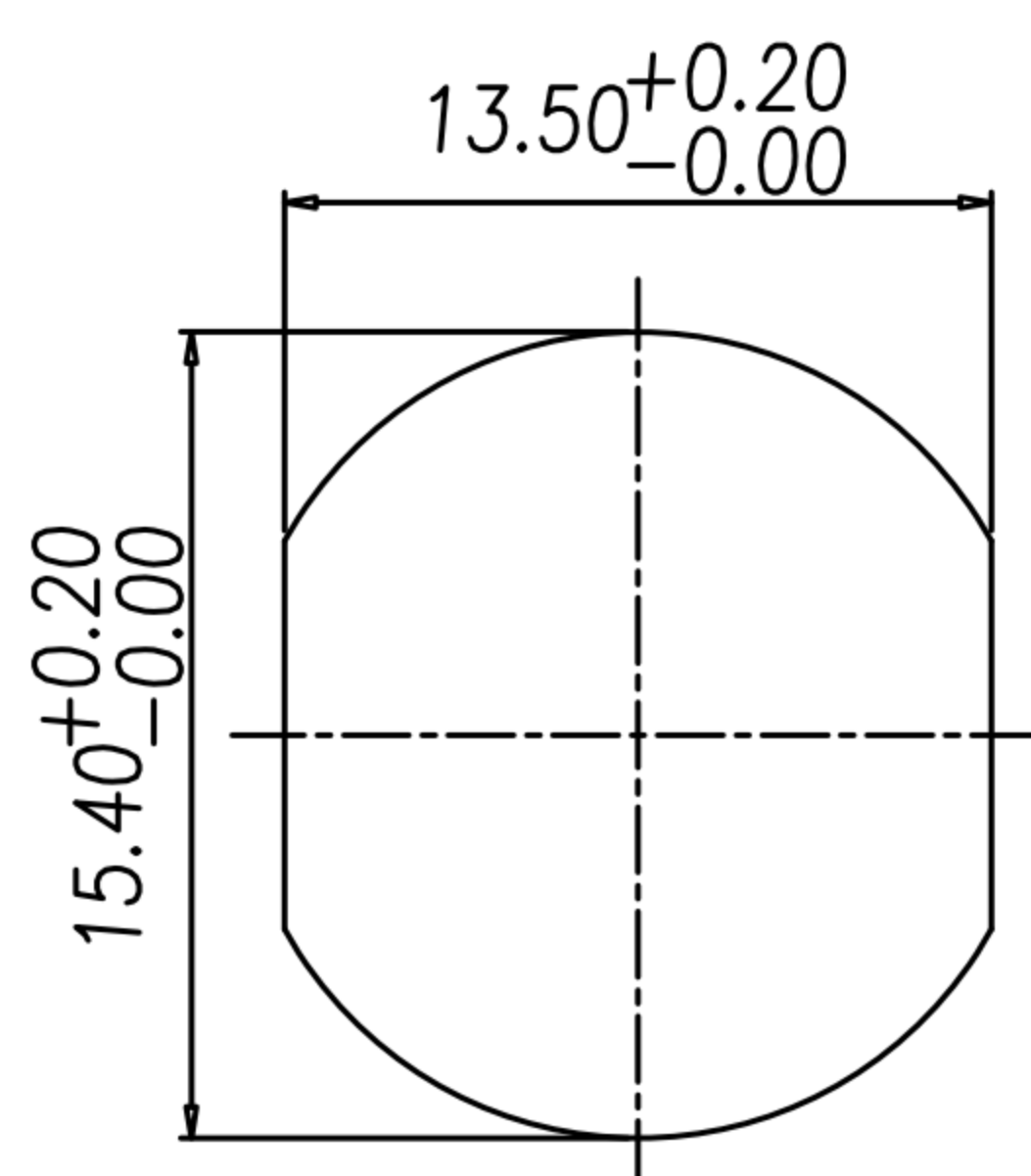


△B TABLE A

4PIN	5PIN
WP-04M2-89-11	WP-05M2-64
2PIN	3PIN
WP-02M2-92-11	WP-03M2-151-11



NUT



RECOMMEND PANEL CUT-OUT

- MATERIAL :
  - HOUSING : PBT UL94V-0 ; COLOR : BLACK
  - CONTACT : BRASS
  - NUT : BRASS
  - SHELL : BRASS
  - O-RING : EPDM
- FINISH :
  - CONTACT : 10 MICRO INCHES MIN. GOLD PLATED  
UNDER PLATE : NICKEL
  - NUT : NICKEL PLATED
  - SHELL : NICKEL PLATED
- ELECTRICAL SPECIFICATION :
  - Rated current : 4A
  - Rated Voltage : 2~4PIN 250V ; 5PIN 60V
  - Water proof : IP67
- Environmental :
  - Operation Temperature : -40℃~85℃

DRAWN	Ku Chou	APPEND	Fido Weng	UNIT	mm	TOLERANCE		广东科斯达电子科技有限公司 GUANG DONG KE SI DA ELECTRONIC TECHNOLOGY CO., LTD.	TITLE	M12 PIN A-code (M) 前鎖PG9 焊線式(洗雙邊/無溝槽)			SHEET	1/1
CHKD	Emily Suen			SCALE	1:1	.x ±0.20 .xx ±0.10 .xxx ±0.05 .xxxx ±0.03 ANGULA ±1°			PART NO.	SEE TABLE A	DWG NO.	QC5734	VERSION	B