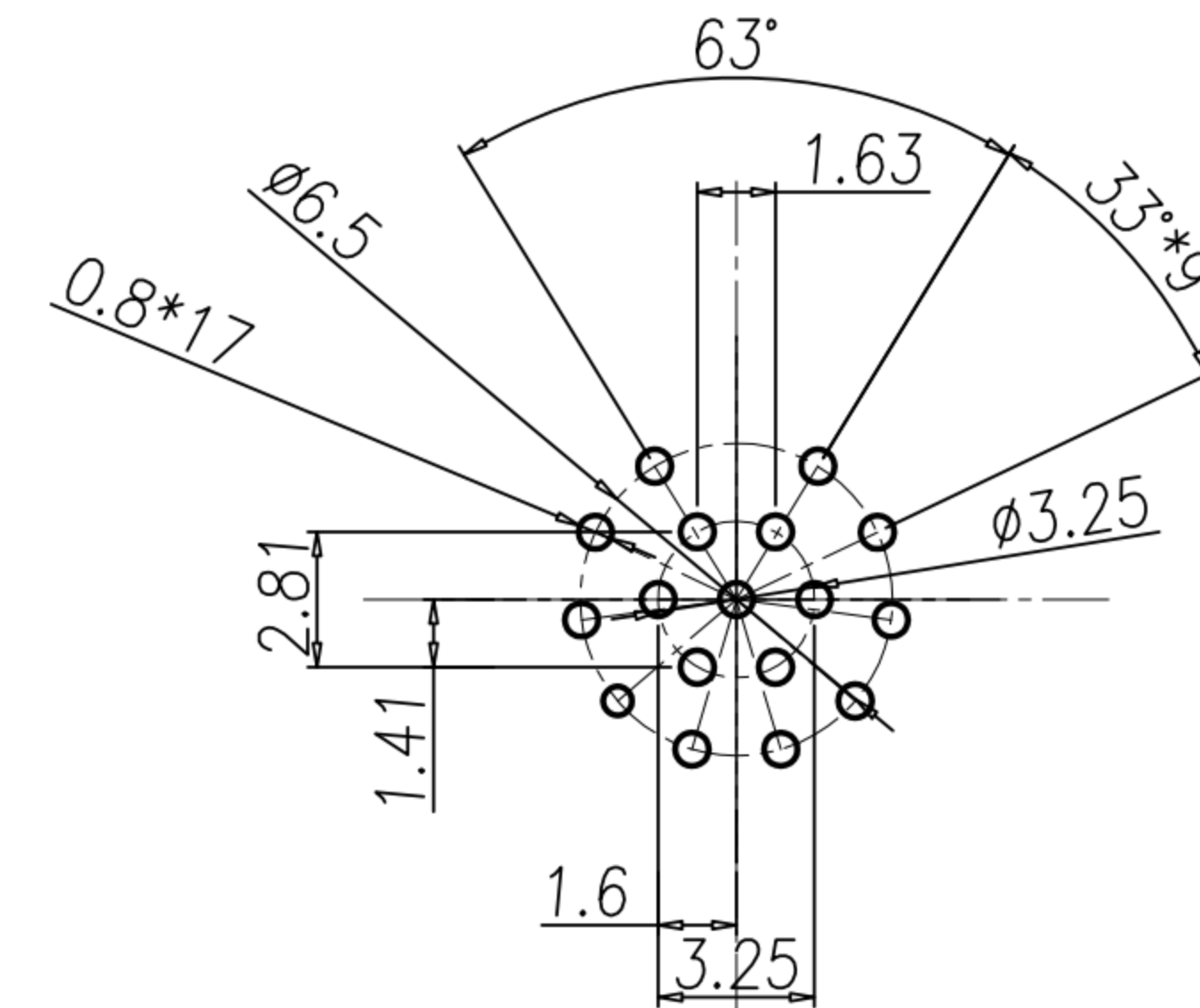
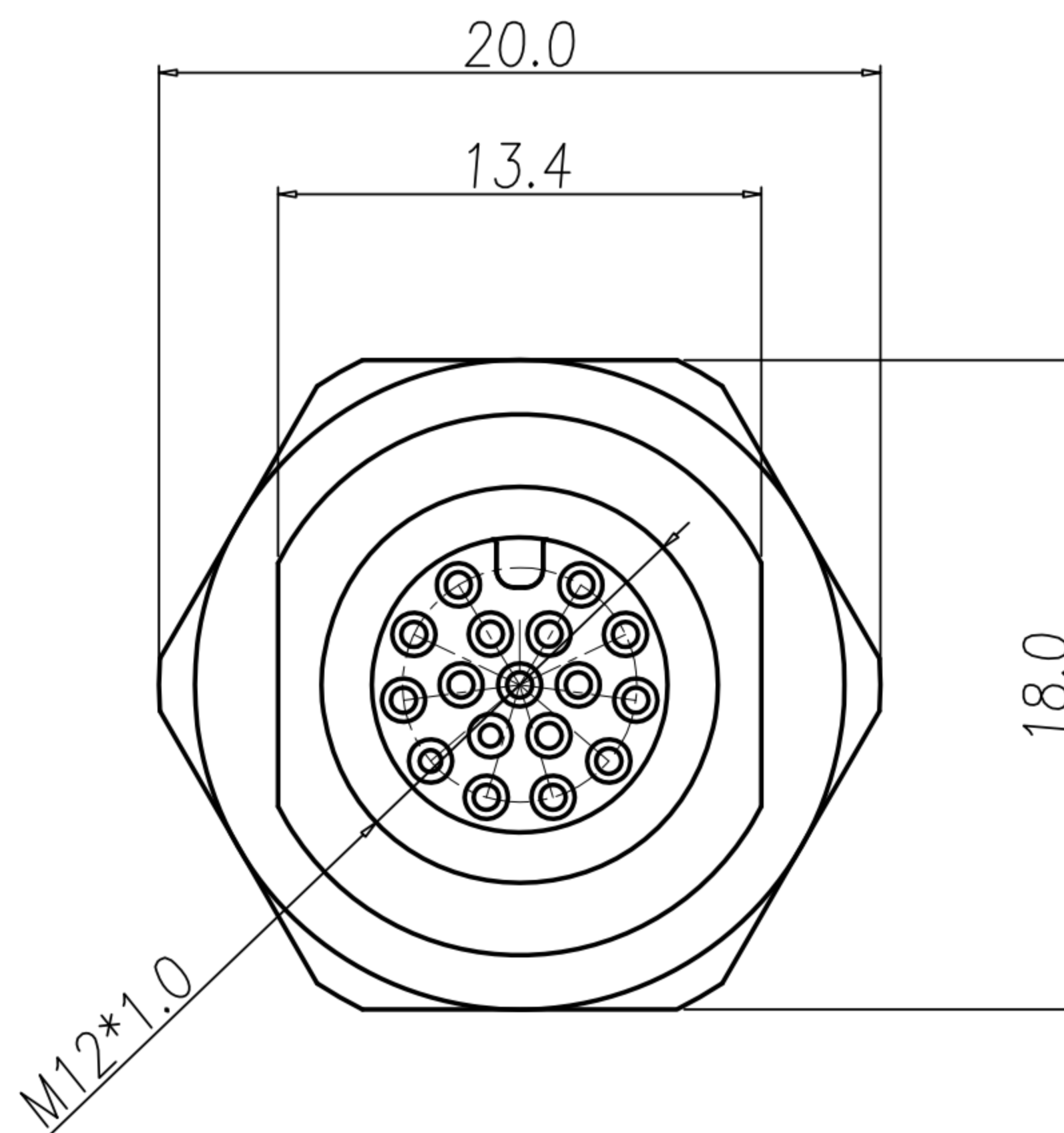
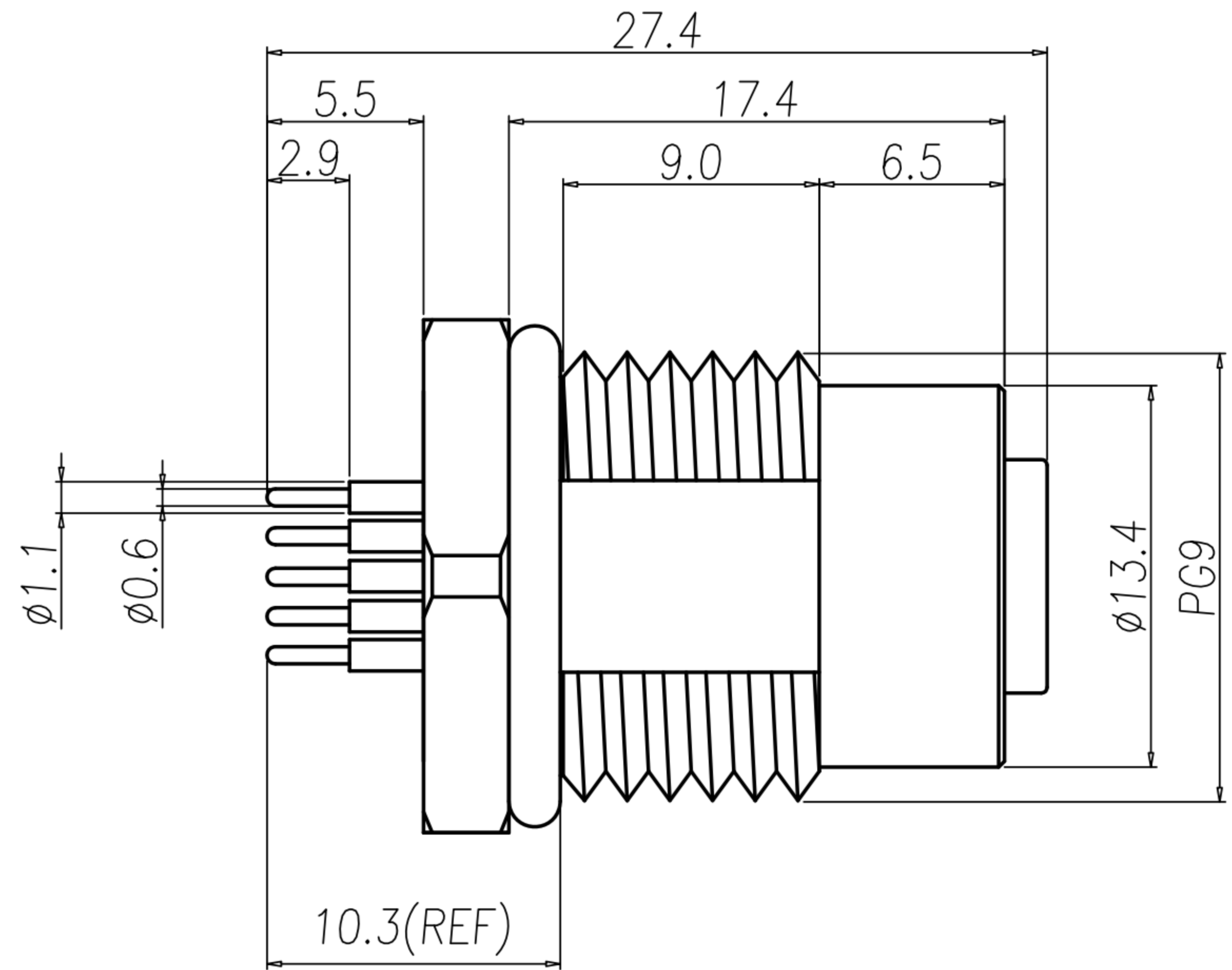
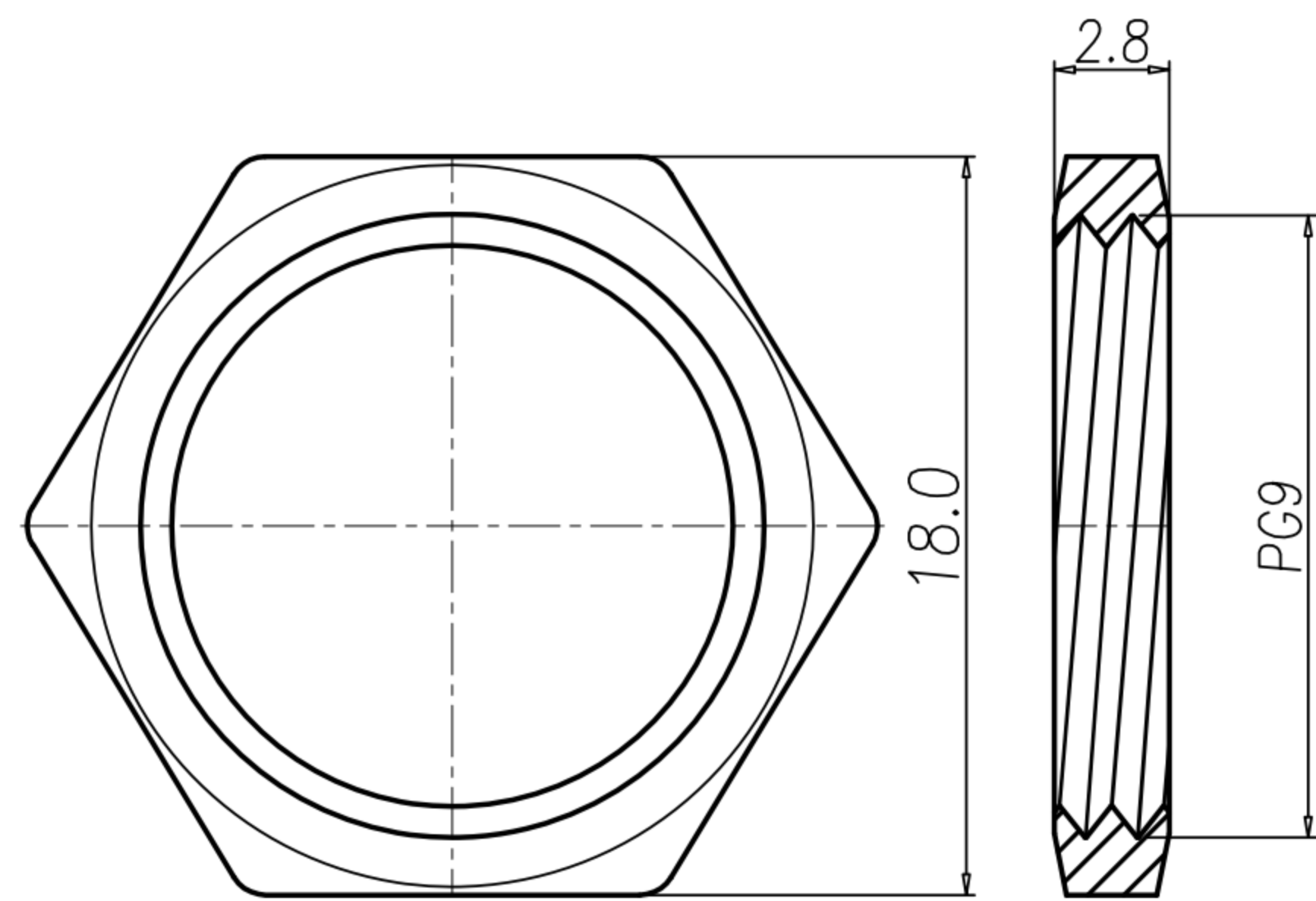


CUSTOMER DRAWING

| REV. | DESCRIPTION | APPROVED BY | DATE | ECN NO. |
|------|-------------|-------------|-----------|---------|
| A | RELEASE | KU CHOU | 04/12/17* | |
| B | | | | |
| C | | | | |

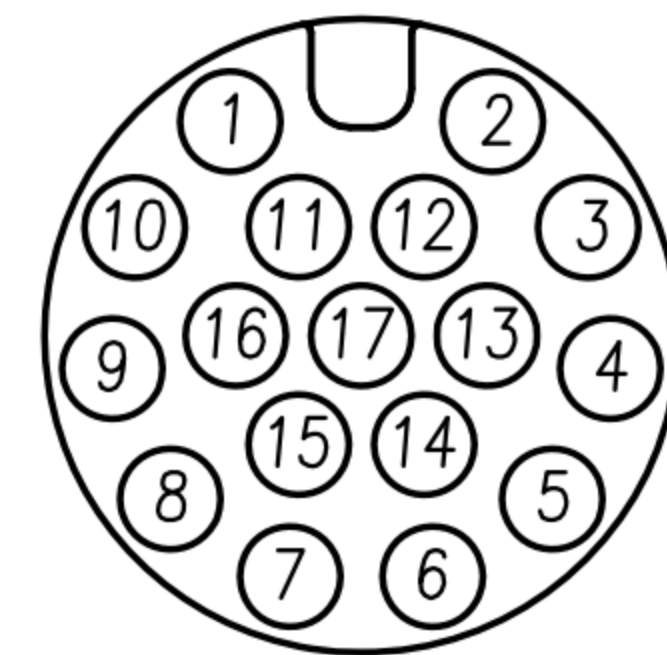


RECOMMEND P.C.B LAYOUT



NUT

RECOMMEND PANEL CUT-OUT



PIN ASSIGNMENTS
FRONT VIEW

- MATERIAL :
 - 1-1. HOUSING : PBT UL94V-0 ; COLOR : BLACK
 - 1-2. CONTACT : BRASS
 - 1-3. NUT : BRASS
 - 1-4. SHELL : BRASS
 - 1-5. O-RING : EPDM ; COLOR : BLACK
- FINISH :
 - 2-1. CONTACT : 10 MICRO INCHES MIN. GOLD PLATED
UNDER PLATE : NICKEL
 - 2-2. NUT : NICKEL PLATED
 - 2-3. SHELL : NICKEL PLATED
- ELECTRICAL SPECIFICATION :
 - 3-1. Rated current : 1.5A
 - 3-2. Rated voltage : 30V
 - 3-3. Water proof : IP67
- Environmental :
 - 4-1. Operation Temperature : -40°C~85°C

| | | | | | | | | | | | | | | |
|-------|------------|-------|---------|-------|-----|-----------|--|--|----------|----------------------------------|---------|--------|---------|--|
| DRAWN | EMILY SUEN | APP'D | KU CHOU | UNIT | mm | TOLERANCE | | | TITLE | M12 17PIN(F) 前鎖PG9 DIP式(無溝槽/銑雙邊) | | | SHEET | |
| CHK'D | KU CHOU | | | SCALE | 1:1 | | | | PART NO. | WP-17F3-01-11 | DWG NO. | QC8713 | VERSION | |

广东科斯达电子科技有限公司
GUANG DONG KE SI DA ELECTRONIC TECHNOLOGY CO., LTD.