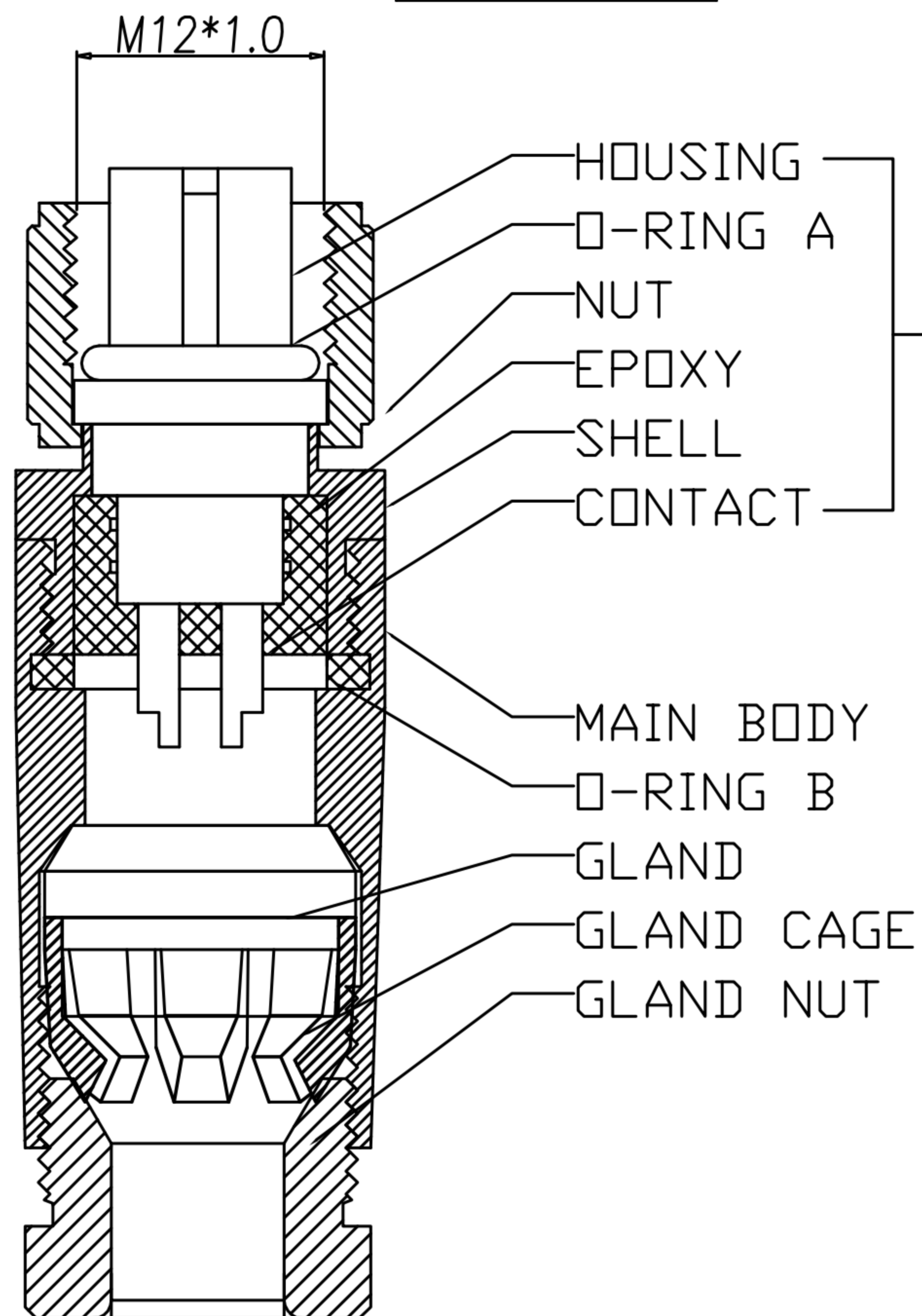
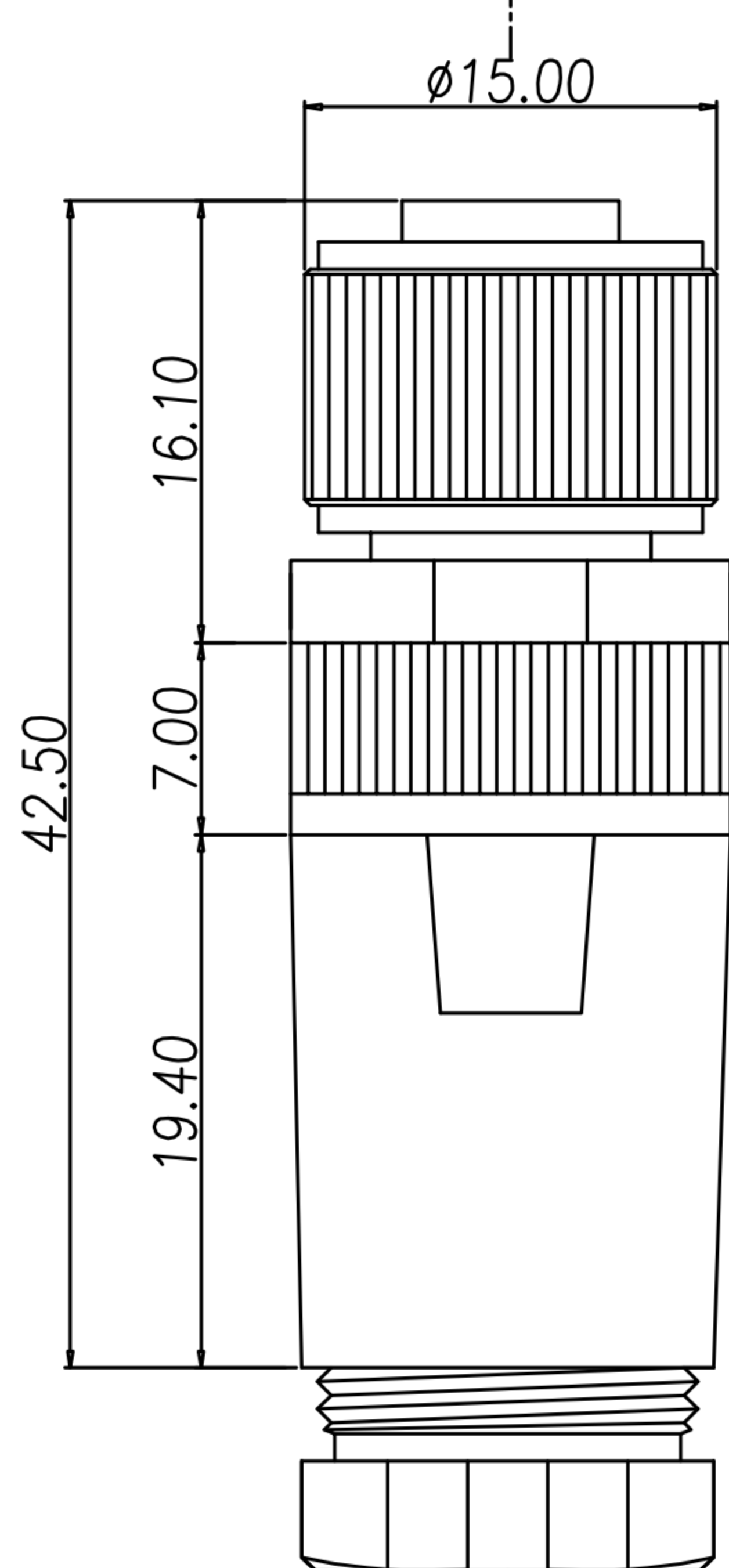
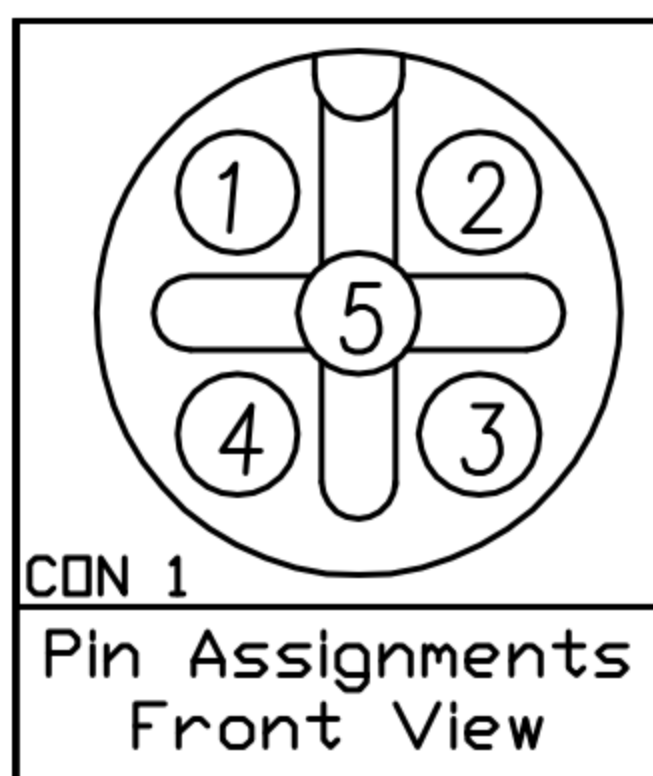
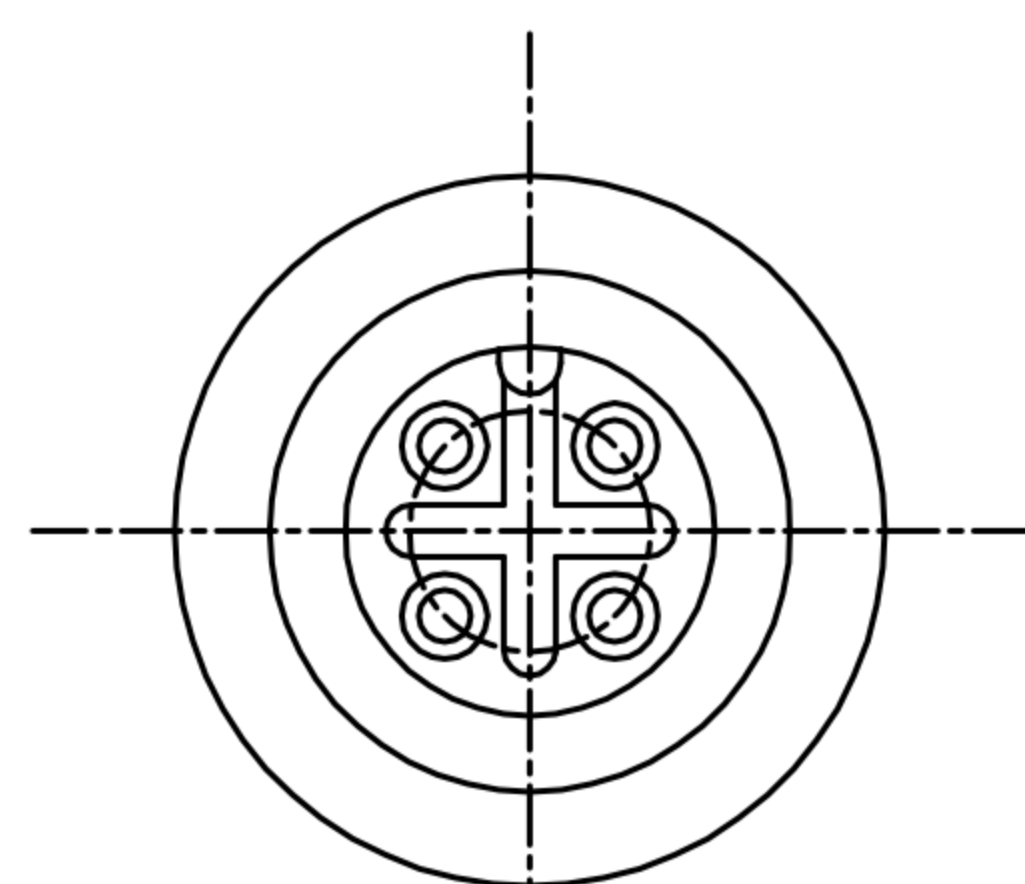


CUSTOMER DRAWING

REV.	DESCRIPTION	APPROVED BY	DATE	ECN NO.
△A	RELEASE	Fido Weng	10/01/11'	
△B				
△C				

TABLE A

WP-05F2-73 WP-05F2-108-11	WP-04F2-62 WP-04F2-151-11	WP-03F2-53-11 WP-03F2-71-11	WP-03F2-56-11 WP-03F2-74-11	WP-02F2-52-11 WP-02F2-53-11
WP-02F2-52-11	GOLD 10u"	WP-02F2-53-11	GOLD FLASH	
WP-03F2-71-11	GOLD 10u"	WP-03F2-56-11	GOLD FLASH	
WP-04F2-151-11	GOLD 10u"	WP-03F2-53-11	GOLD FLASH	
WP-03F2-74-11	GOLD 10u"	WP-04F2-62	GOLD FLASH	
WP-05F2-108-11	GOLD 10u"	WP-05F2-73	GOLD FLASH	
PART NO	FINISH	PART NO	FINISH	



7.50 RECOMMEND CABLE OD=5.0mm~6.0mm

- MATERIAL :
 - MATERIAL A :
 - HOUSING : PBT UL94V-0 ; COLOR : BLACK.
 - CONTACT : BRASS
 - NUT : ALUMINIUM ALLOY
 - SHELL : ALUMINIUM ALLOY
 - O-RING A : EPDM ; COLOR : BLACK
 - MAIN BODY : ALUMINIUM ALLOY
 - GLAND : SILICONE ; COLOR : BLACK.
 - GLAND CAGE : POM ; COLOR : WHITE.
 - GLAND NUT : ALUMINIUM ALLOY
 - O-RING B : SILICONE ; COLOR : BLACK
- FINISH :
 - MATERIAL A :
 - CONTACT : SEE TABLE A
 - NUT : SATIN NICKEL PLATED.
 - SHELL : SATIN NICKEL PLATED.
 - MAIN BODY : SATIN NICKEL PLATED.
 - GLAND NUT : SATIN NICKEL PLATED.
- ELECTRICAL SPECIFICATION :
 - Rated current : 4A
 - Rated voltage : 2~4PIN 250V ; 5PIN 60V
 - Water proof : IP67
- Environmental :
 - Operation Temperature : -20℃~85℃

DRAWN	Ku Chou	APP'D	Emily Suen	UNIT	mm	TOLERANCE			TITLE	M12 (F) A-coded Assembly type			SHEET	1
CHK'D	Emily Suen			SCALE	1:1				PART NO.	SEE TABLE A	DWG NO.	QC5210	VERSION	A