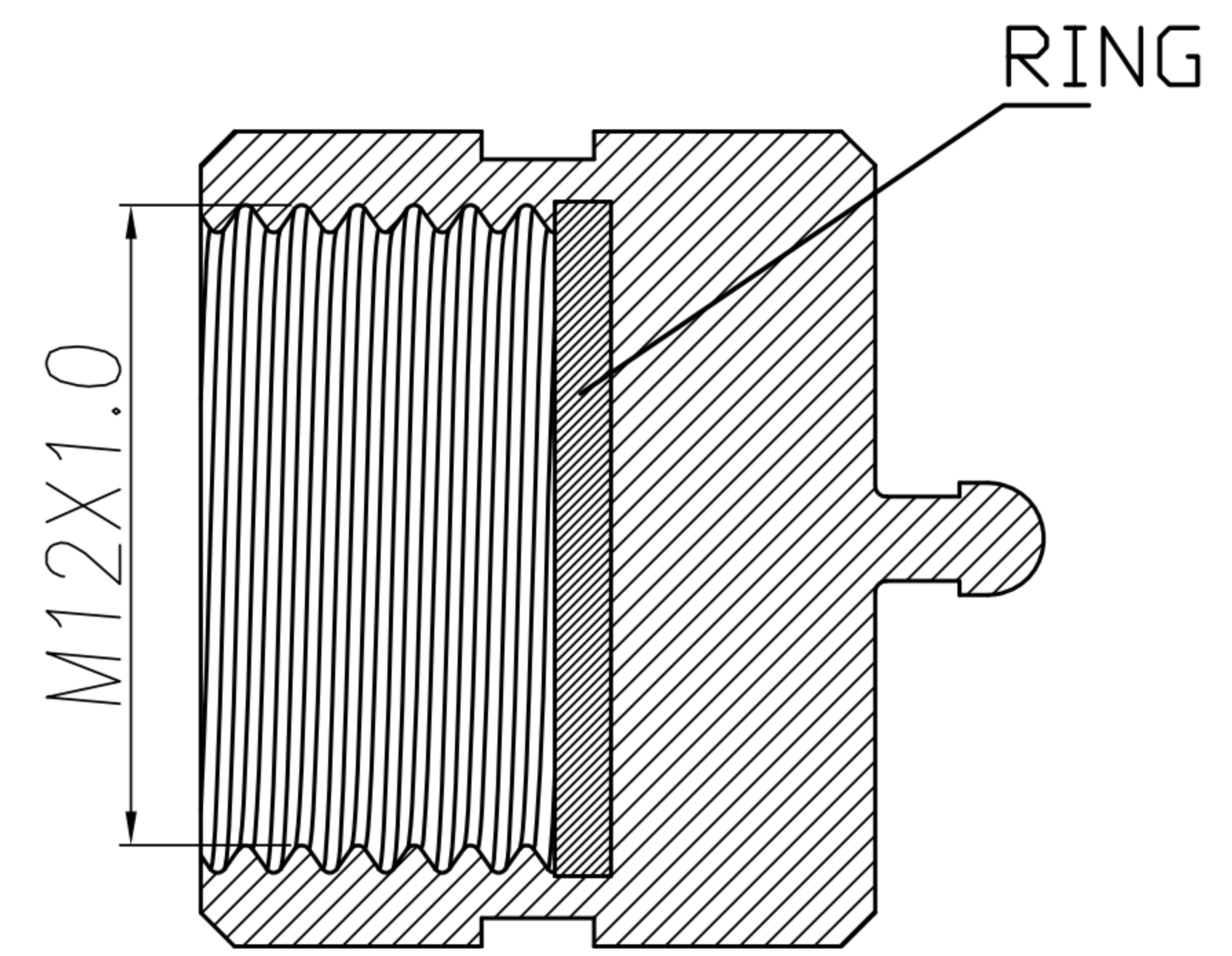
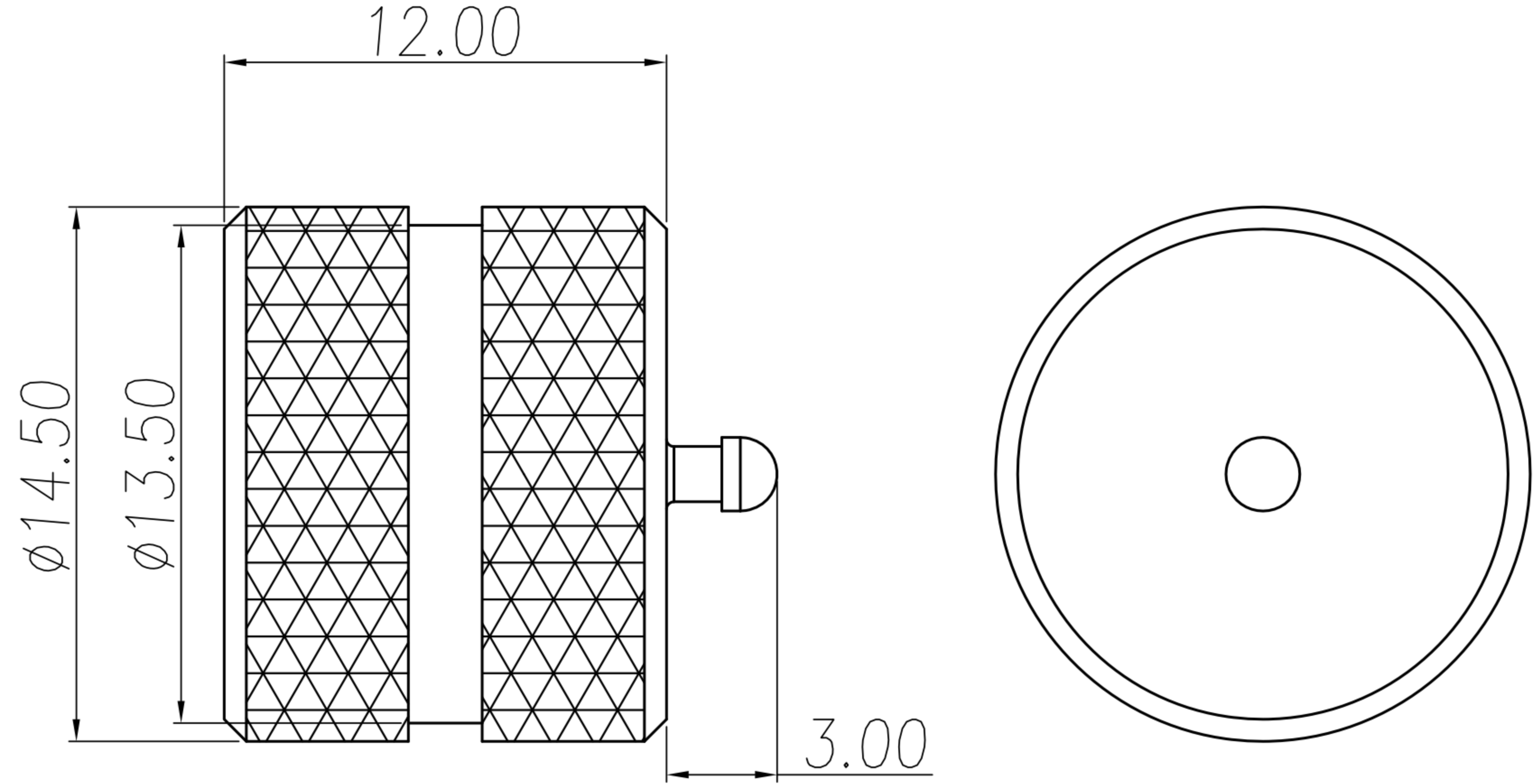


A B C D E F

1
2
3
4

CUSTOMER DRAWING

REV.	DESCRIPTION	APPROVED BY	DATE	ECN NO.
A				
B				
C				



- 1 . MATERIAL :
- 1-1 . NUT : BRASS ; NICKEL PLATED OVER ALL
- 1-2 . RING : SILICONE ; COLOR : BLACK

DRAWN	Ku Chou	APP'D	Emily Suen	UNIT	mm	TOLERANCE		广东科斯达电子科技有限公司 GUANG DONG KE SI DA ELECTRONIC TECHNOLOGY CO., LTD.	TITLE	M12 防塵蓋+墊片(內牙)			SHEET	
CHK'D	Emily Suen			SCALE	1:1	.x ±0.10 .xx ±0.05 .xxx ±0.03 .xxxx ±0.01 ANGULA ±1°			PART NO.	NY-WP984-11	DWG NO.	QC7738	VERSION	