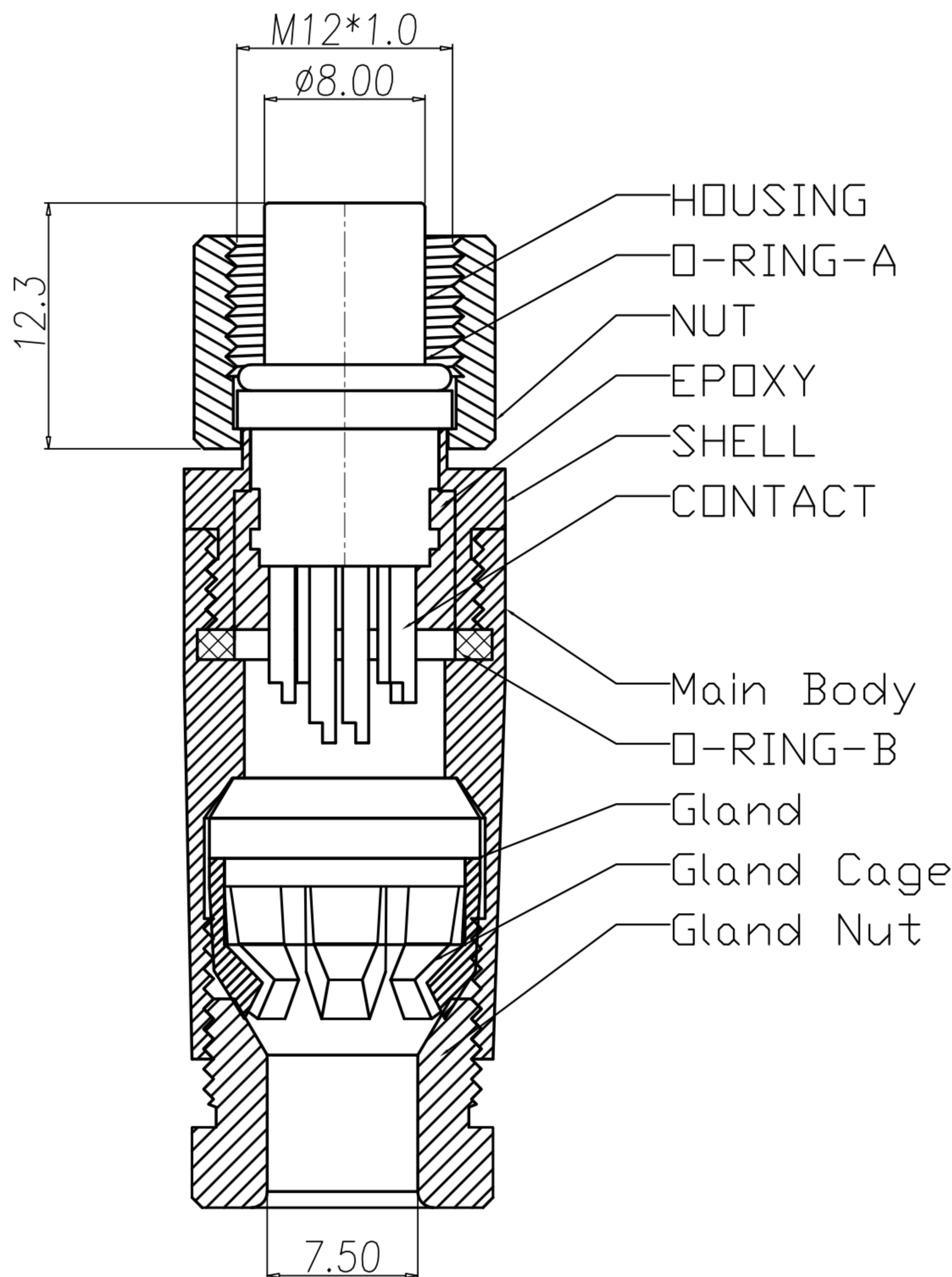
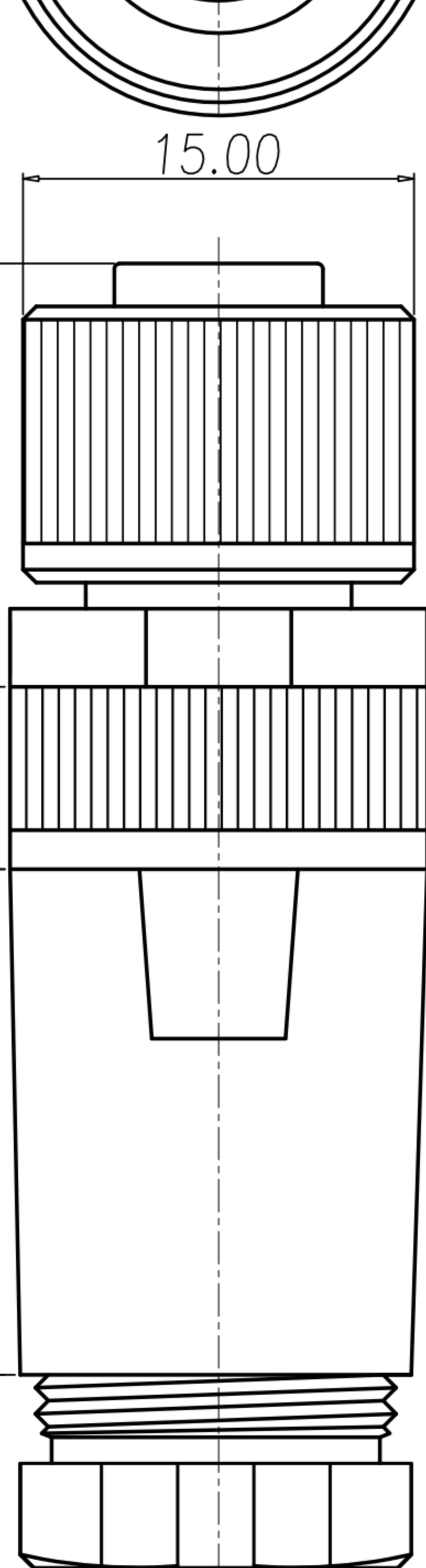
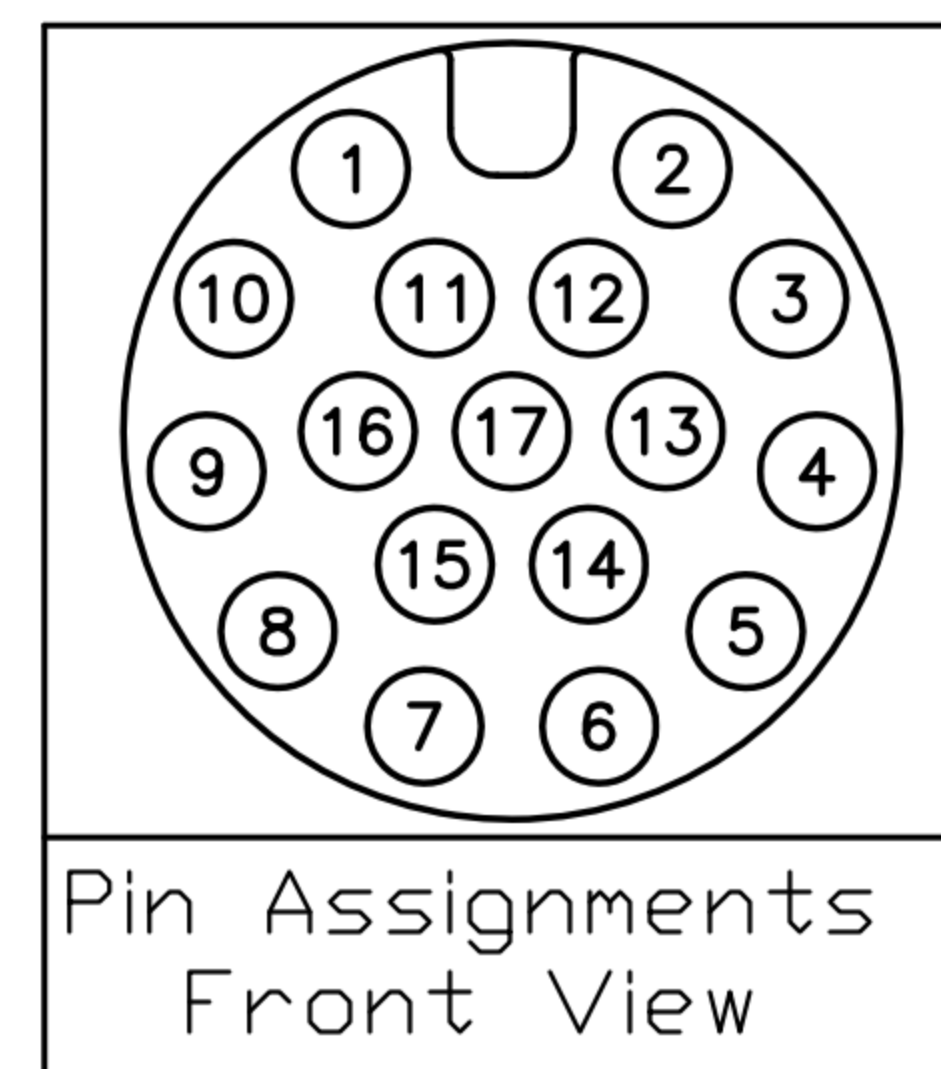
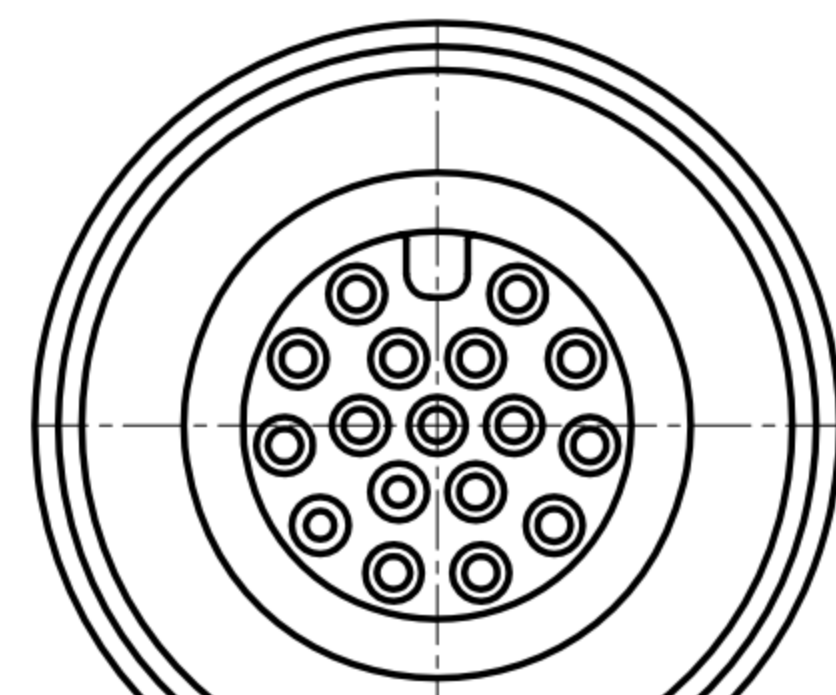


CUSTOMER DRAWING

REV.	DESCRIPTION	APPROVED BY	DATE	ECN NO.
A	RELEASE	KU CHOU	25/2/21'	
B				
C				



- MATERIAL :
 - 1-1. HOUSING : PBT UL94V-0 ; COLOR : BLACK
 - 1-2. CONTACT : BRASS
 - 1-3. NUT : ALUMINIUM ALLOY
 - 1-4. SHELL : ALUMINIUM ALLOY
 - 1-5. O-RING A : EPDM
 - 1-6. MAIN BODY : ALUMINIUM ALLOY
 - 1-7. O-RING B : SILICONE
 - 1-8. GLAND : SILICONE ; COLOR : BLACK
 - 1-9. GLAND CAGE : POM ; COLOR : WHITE
 - 1-10. GLAND NUT : ALUMINIUM ALLOY
- FINISH :
 - 2-1. CONTACT : 10u" MIN. GOLD PLATED ; UNDER PLATE : NICKEL
 - 2-2. NUT : NICKEL PLATED
 - 2-3. SHELL : NICKEL PLATED
 - 2-4. MAIN BODY : NICKEL PLATED
 - 2-5. GLAND NUT : NICKEL PLATED
- ELECTRICAL SPECIFICATION :
 - 3-1. RATED CURRENT: 1.5A
 - 3-2. RATED VOLTAGE : 30V
 - 3-3. WATER PROOF: IP67
- ENVIRONMENTAL :
 - 4-1. OPERATION TEMPERATURE : -20℃~85℃

DRAWN	EMILY SUEN	APP'D	KU CHOU	UNIT	mm	TOLERANCE		广东科斯达电子科技有限公司 GUANG DONG KE SI DA ELECTRONIC TECHNOLOGY CO., LTD.	TITLE	M12 17PIN (F) A-coded Assembly type			SHEET	1
CHK'D	KU CHOU			SCALE	1:1	.x ±0.20 .xx ±0.10 .xxx ±0.05 .xxxx ±0.03 ANGULA ±1°			PART NO.	WP-17F2-11-11	DWG NO.	QC10178	VERSION	