

CUSTOMER DRAWING

REV.	DESCRIPTION	APPVL. BY	DATE	ECN NO.
△A	Release	Janes	28/05/14'	
△B				
△C				

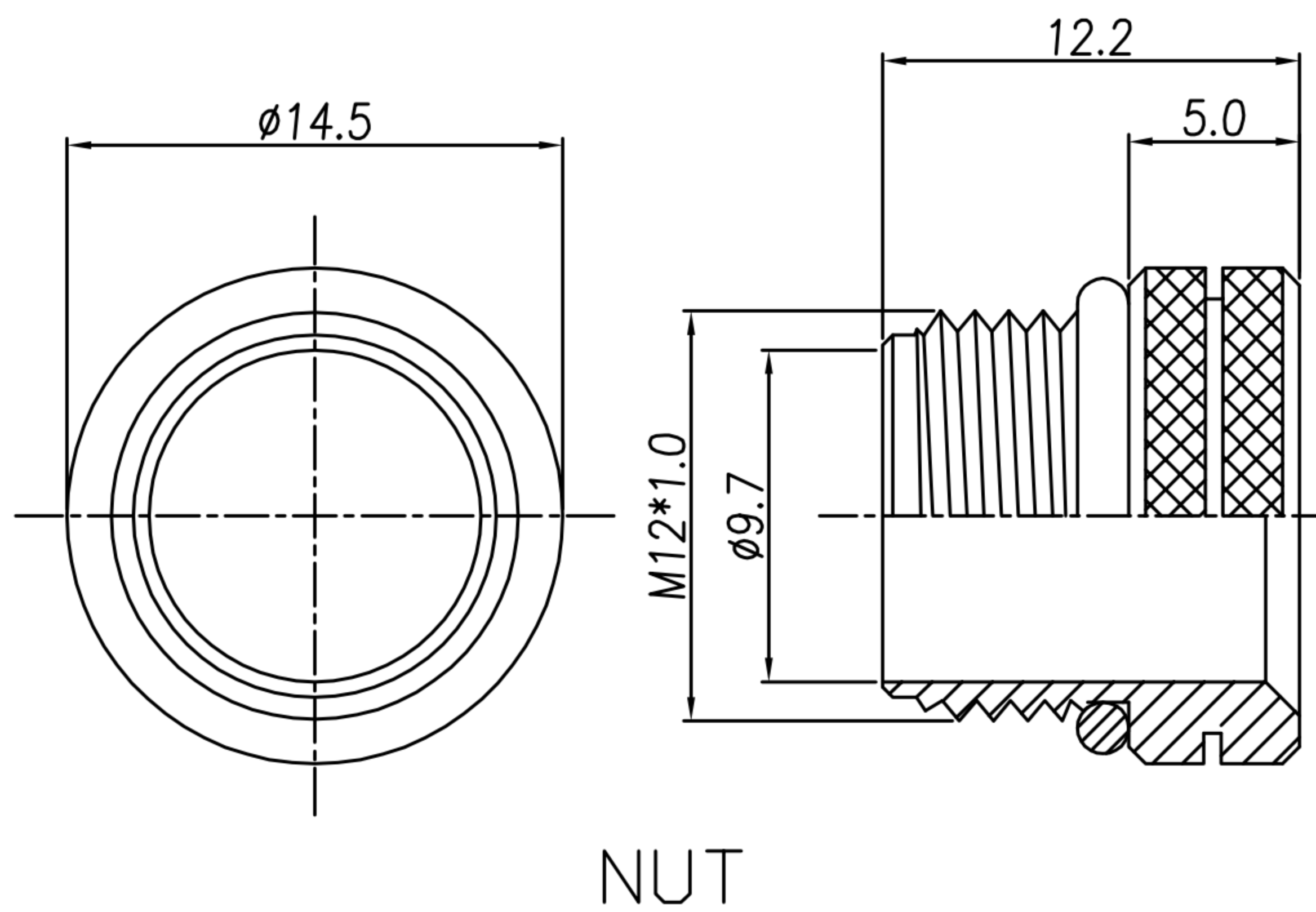
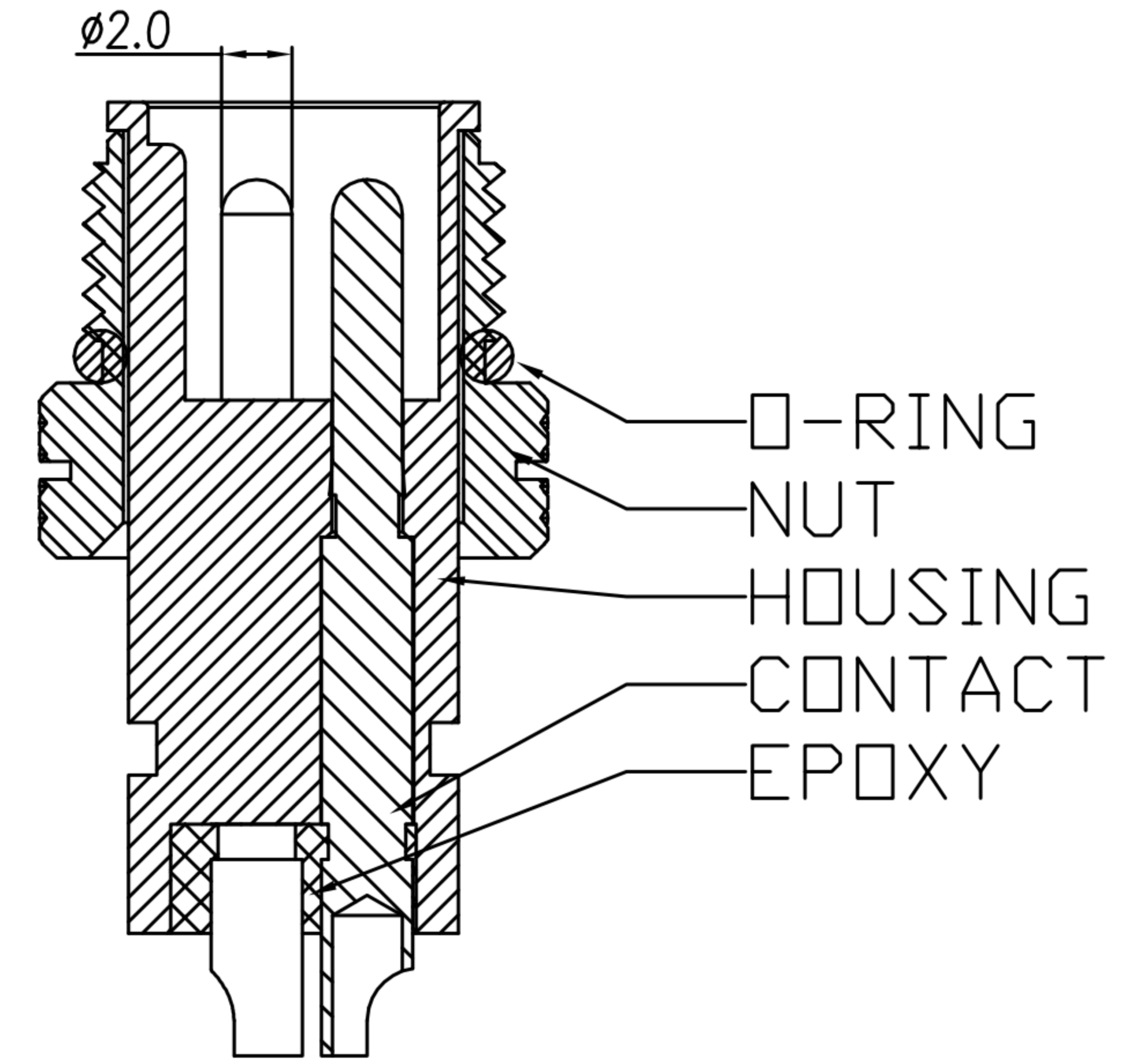
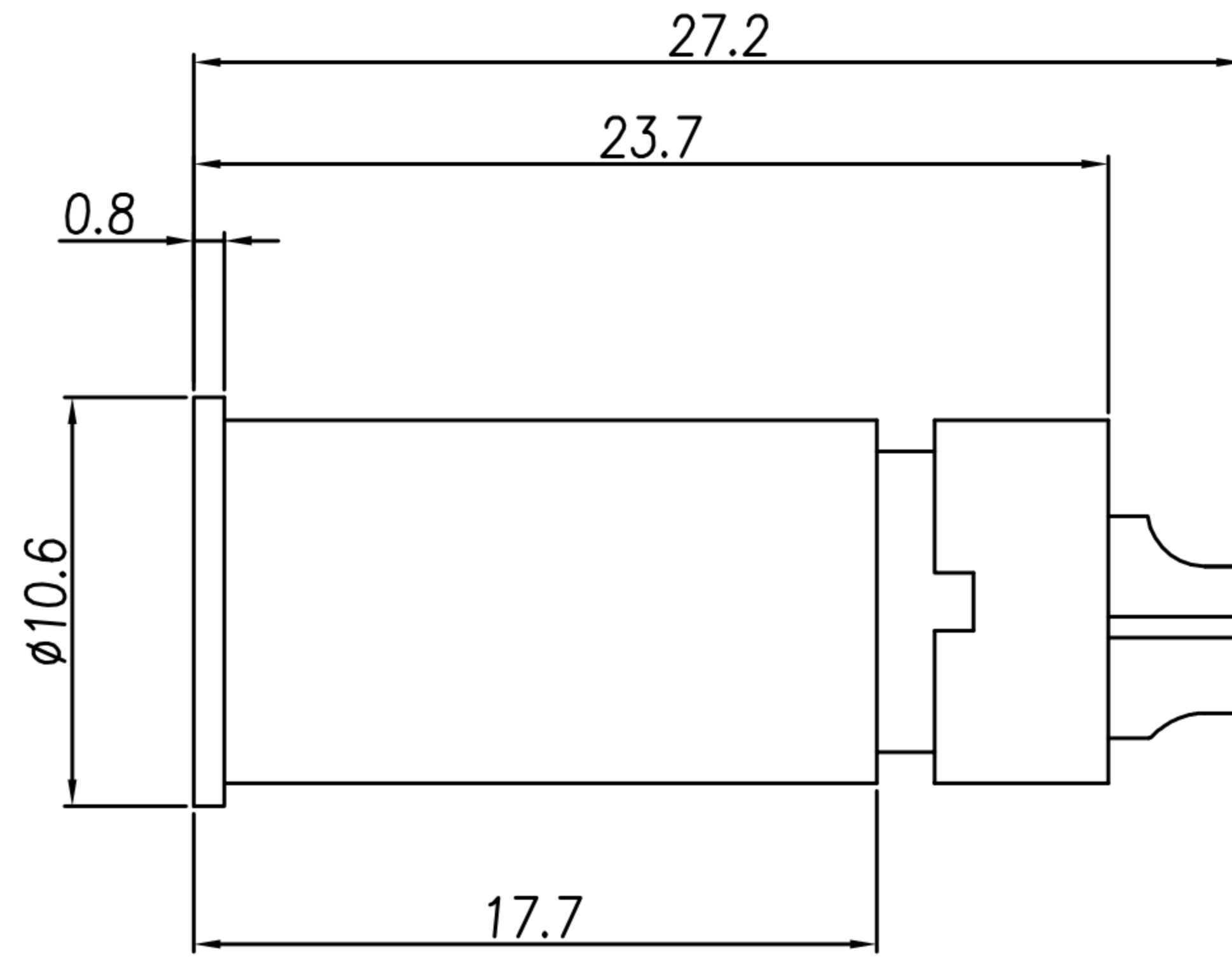
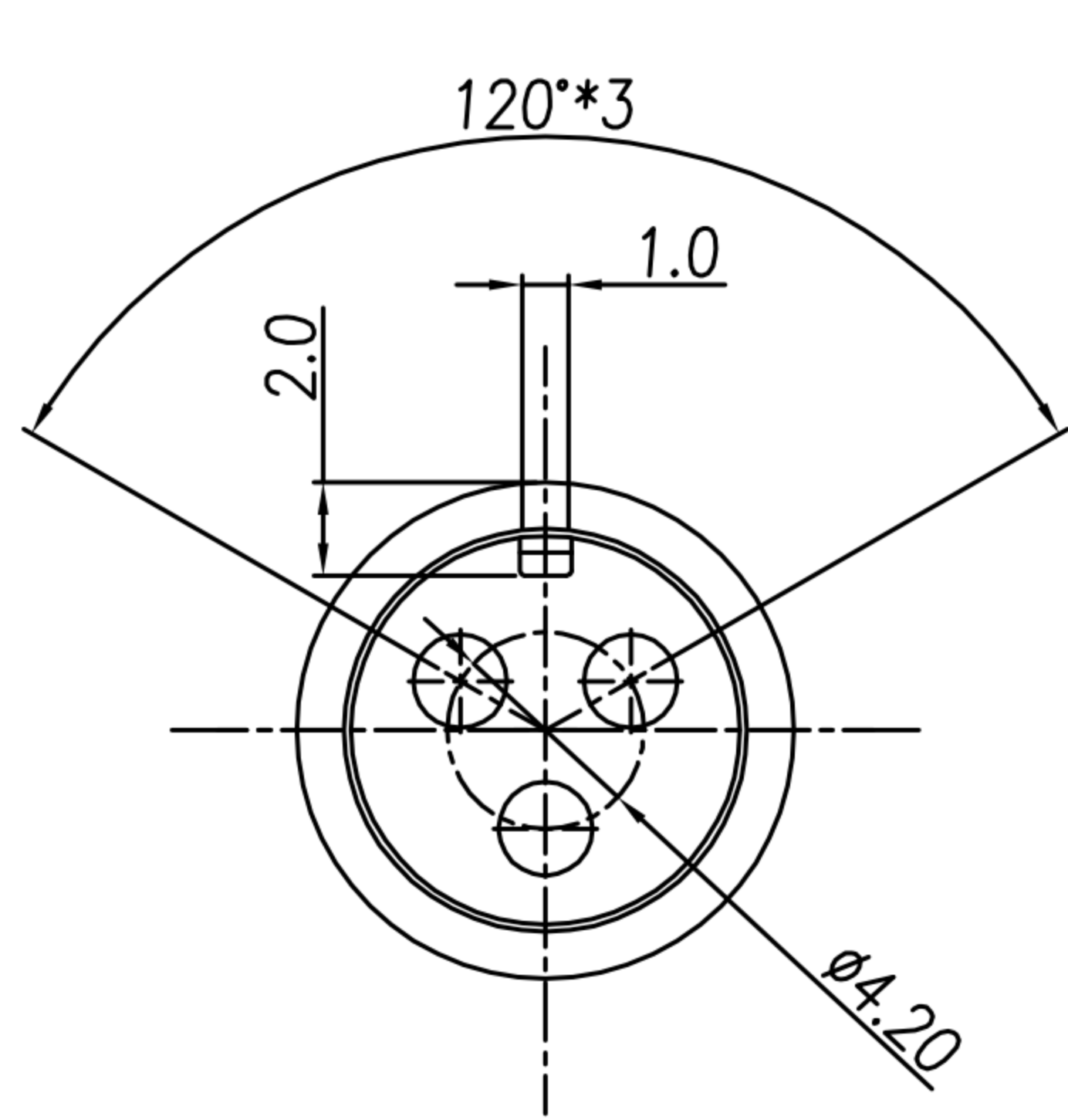


TABLE A

WP-03M2-40-11	WP-02M2-28-11

- MATERIAL :
 - 1-1. HOUSING :PBT+15%GF UL94V-0 ; COLOR : BLACK
 - 1-2. CONTACT :BRASS
 - 1-3. NUT :BRASS
 - 1-4. O-RING : EPDM ; COLOR : BLACK
- FINISH :
 - 2-1. CONTACT : GOLD FLASH MICRO INCHES MIN.
UNDER PLATE : NICKEL
 - 2-2. NUT : NICKEL PLATED.
- ELECTRICAL SPECIFICATION :
 - 3-1. Rated current : 15A
 - 3-2. Rated Voltage : 250V
 - 3-3. Water proof : IPX7
- Environmental :
 - 4-1. Operation Temperature : -40 ℃~105℃

DRAW	James	APPVL	Ku Chou	UNIT	mm	TOLERANCE		广东科斯达电子科技有限公司 GUANG DONG KE SI DA ELECTRONIC TECHNOLOGY CO., LTD.	TITLE	防水頭 (M) 線端 (3粗-φ2.0)			SHEET	1 VERSION A
CHECK	Ku Chou			SCALE	1:1	.x ±0.20 .xx ±0.10 .xxx ±0.05 .xxxx ±0.03 ANGULA ±1°			PART NO.	SEE TABLE A	DWG NO.	QC6754		