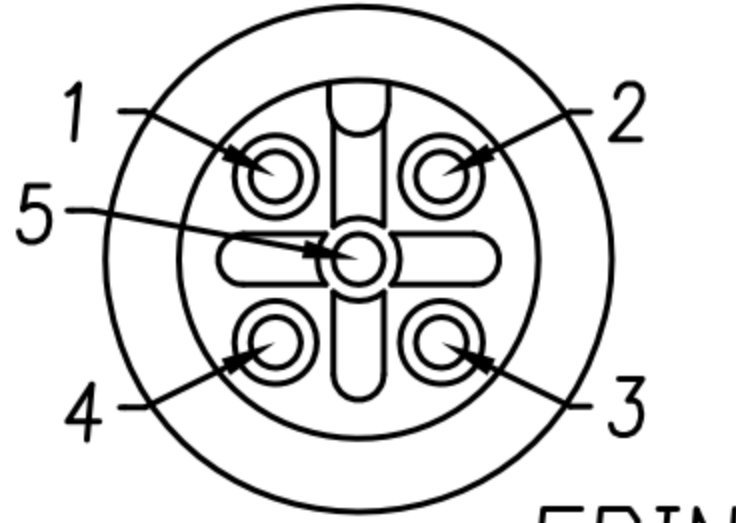
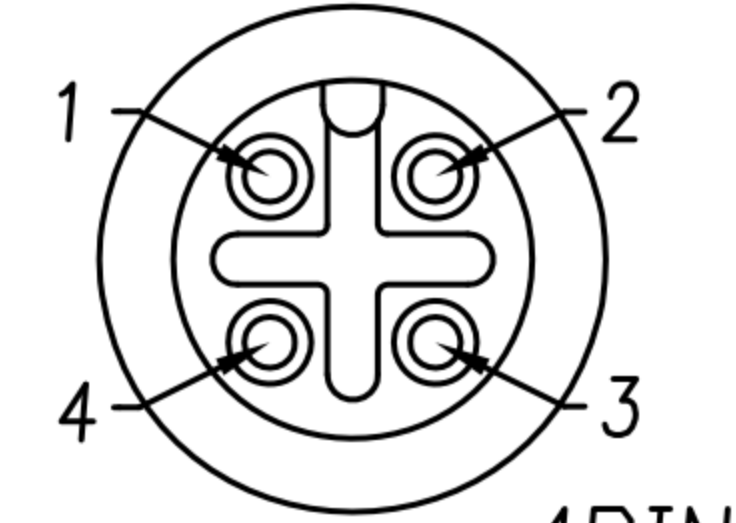
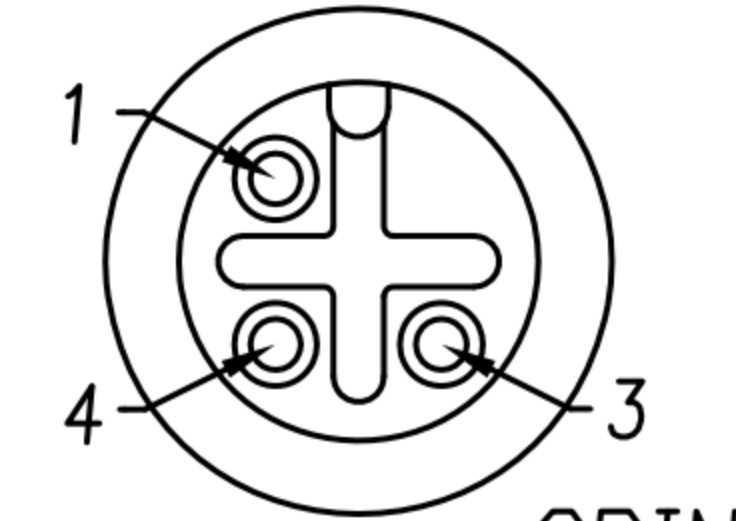
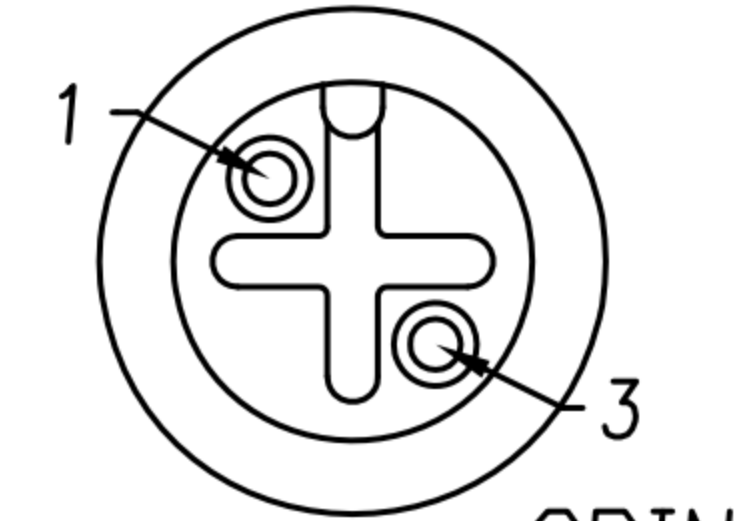
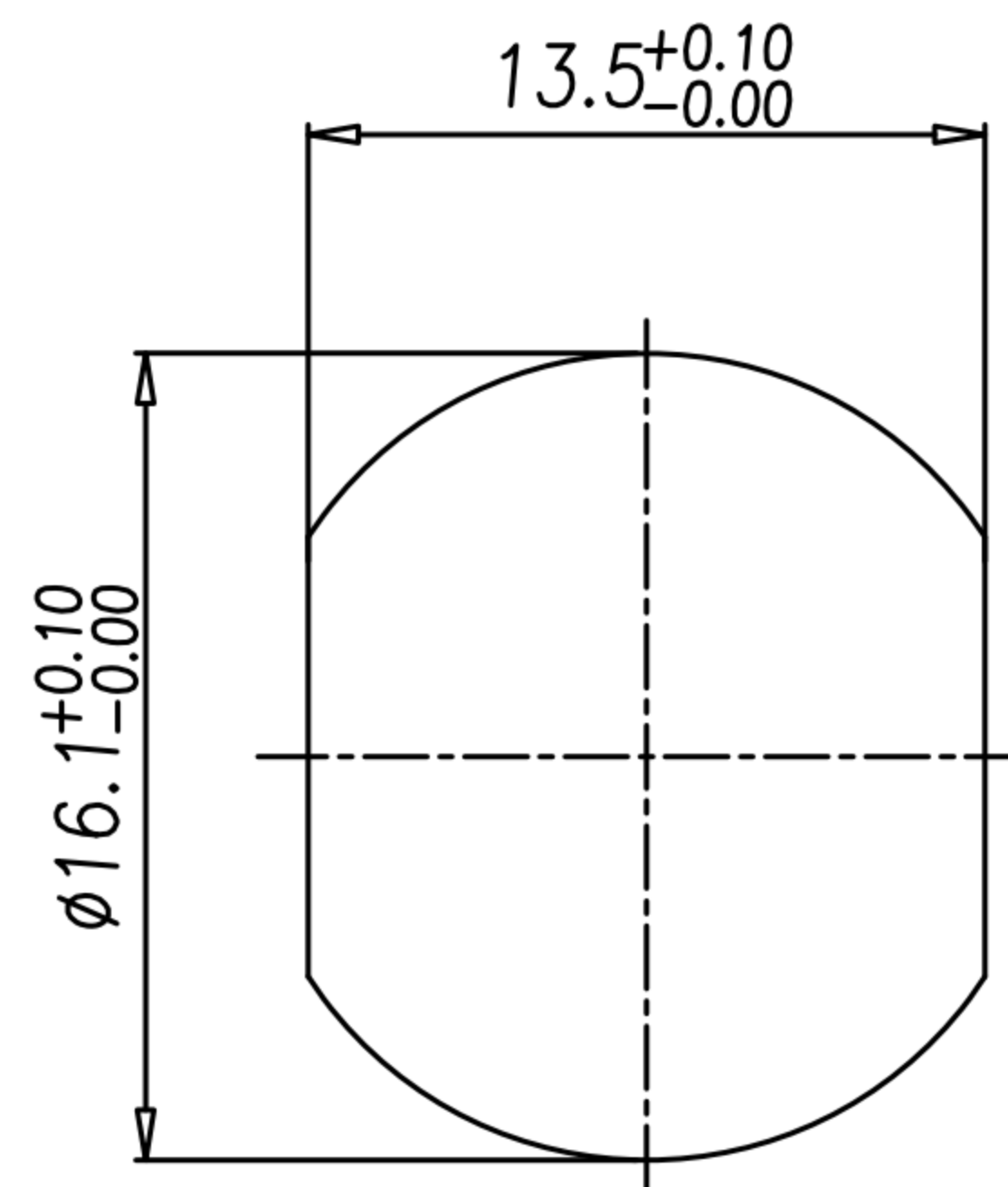
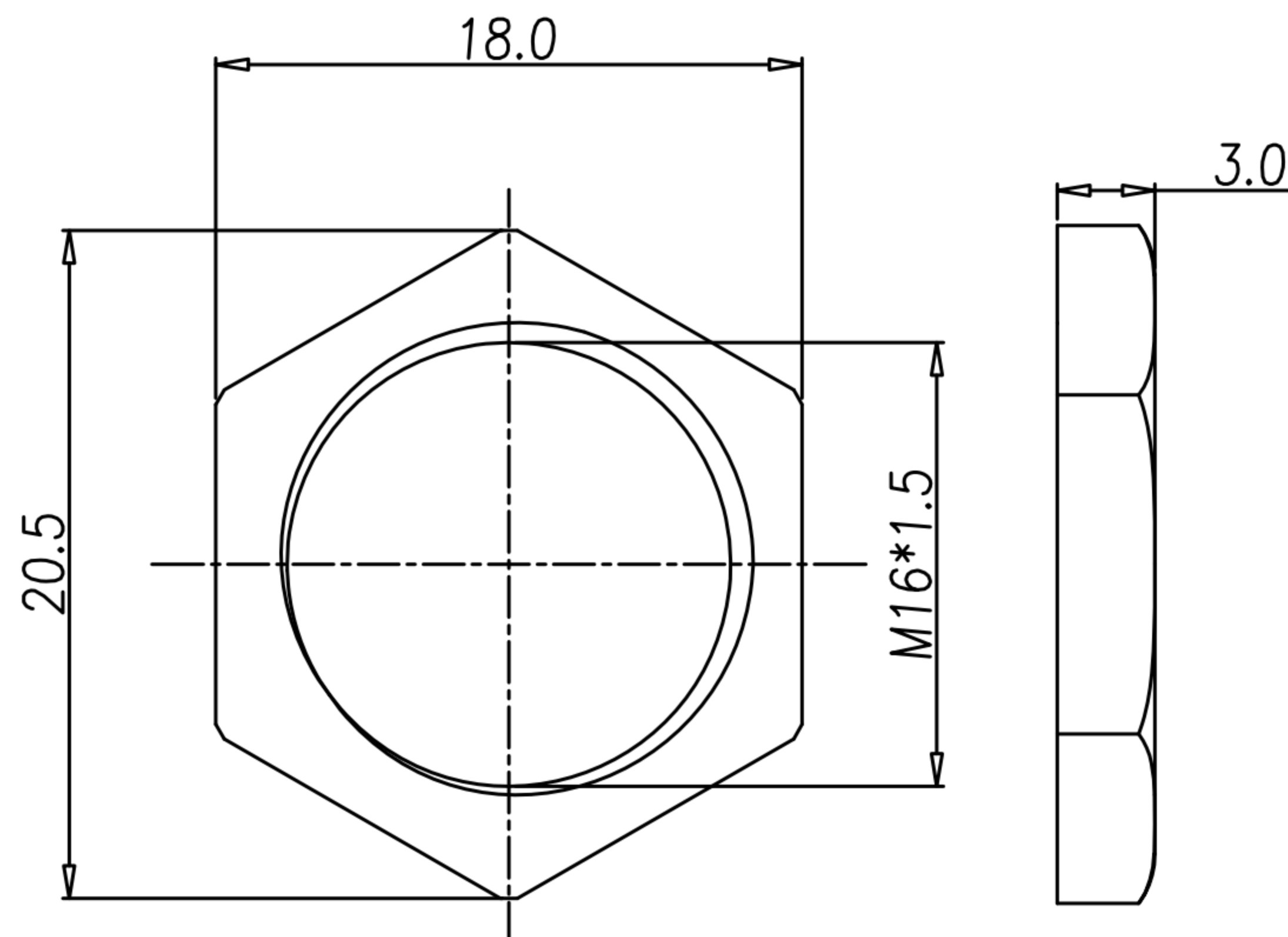
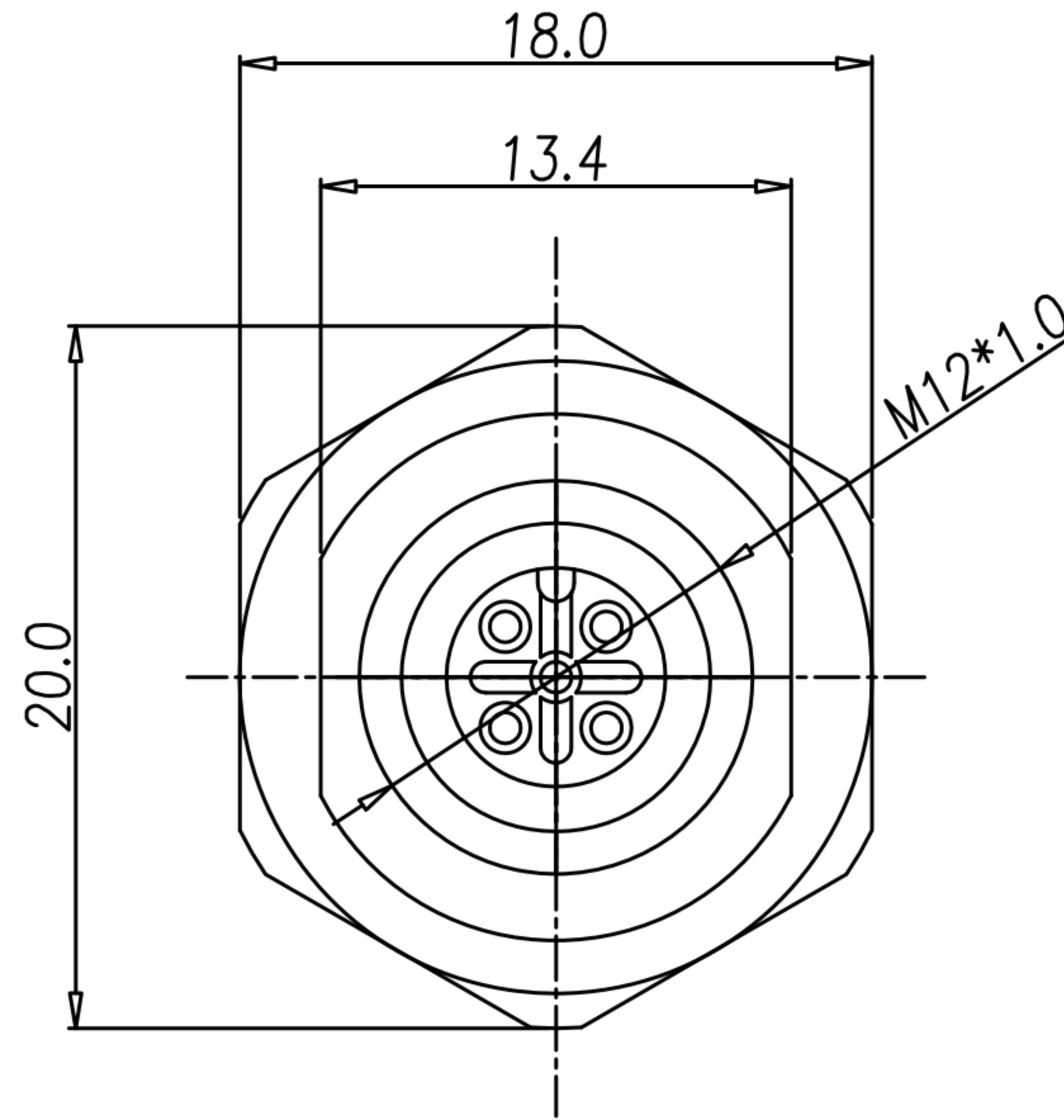
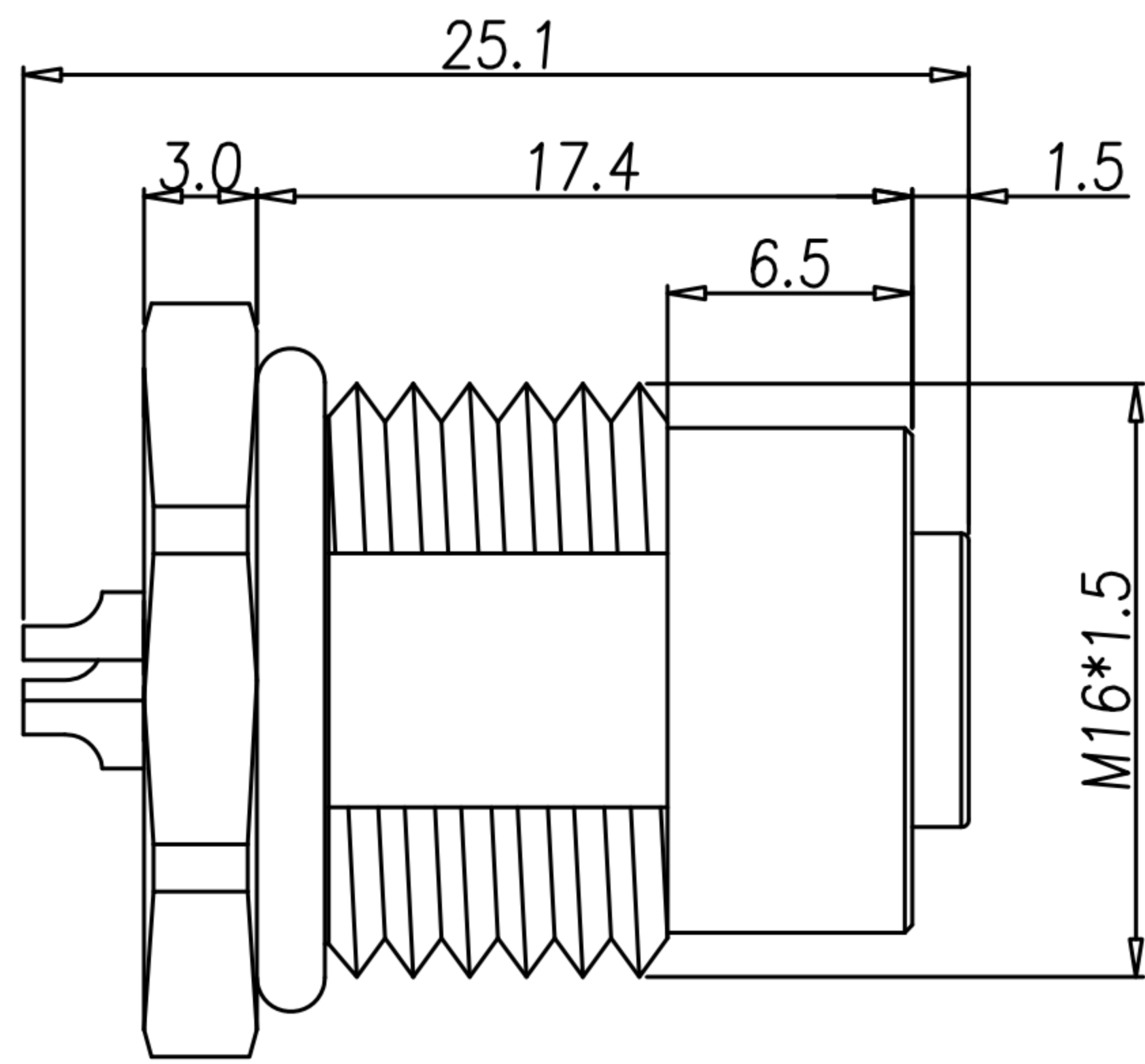


# CUSTOMER DRAWING

| REV. | DESCRIPTION | APPROVED BY | DATE      | ECN NO. |
|------|-------------|-------------|-----------|---------|
| A    | RELEASE     | Fido Weng   | 17/04/23" |         |
| B    |             |             |           |         |
| C    |             |             |           |         |

TABLE A

|   |   |
|---|---|
|  |  |
| 5PIN  | 4PIN  |
| WP-05F2-230-11  | WP-04F2-314-11  |
|  |  |
| 3PIN  | 2PIN  |
| WP-03F2-186-11  | WP-02F2-120-11  |



- MATERIAL :
  - 1-1. HOUSING : PBT UL94V-0 ; COLOR : BLACK
  - 1-2. CONTACT : BRASS
  - 1-3. NUT : BRASS
  - 1-4. SHELL : BRASS
  - 1-5. O-RING : EPDM
- FINISH :
  - 2-1. CONTACT : GOLD FLASH PLATED  
UNDER PLATE : NICKEL
  - 2-2. NUT : NICKEL PLATED
  - 2-3. SHELL : NICKEL PLATED
- ELECTRICAL SPECIFICATION :
  - 3-1. Rated current : 4A
  - 3-2. Rated Voltage : 2~4PIN 250V ; 5PIN 60V
  - 3-3. Water proof : IP67
- Environmental :
  - 4-1. Operation Temperature : -40℃~85℃

**NUT**

**RECOMMEND PANEL CUT-OUT**

|       |            |        |            |       |     |  |   |   |  |          |                                   |         |         |         |   |
|-------|------------|--------|------------|-------|-----|--|---|---|--|----------|-----------------------------------|---------|---------|---------|---|
| DRAWN | Mark Kao   | APPEND | Emily Suen | UNIT  | mm  | TOLERANCE  |  |  |  广东科斯达电子科技有限公司<br>GUANG DONG KE SI DA ELECTRONIC TECHNOLOGY CO., LTD. | TITLE    | 防水頭 M12 (F) A-CODED 前鎖M16*1.5 焊線式 |         |         | SHEET   | 1 |
| CHKED | Emily Suen |        |            | SCALE | 1:1 | .x ±0.20<br>.xx ±0.10<br>.xxx ±0.05<br>.xxxx ±0.03<br>ANGULA ±1° |   |   |  | PART NO. | SEE TABLE A                       | DWG NO. | QC10652 | VERSION | A |