

CUSTOMER DRAWING

| REV. | DESCRIPTION | APPROVED BY | DATE | ECN NO. |
|------|-------------|-------------|-----------|---------|
| A | RELEASE | Fido Weng | 04/12/14' | |
| B | | | | |
| C | | | | |

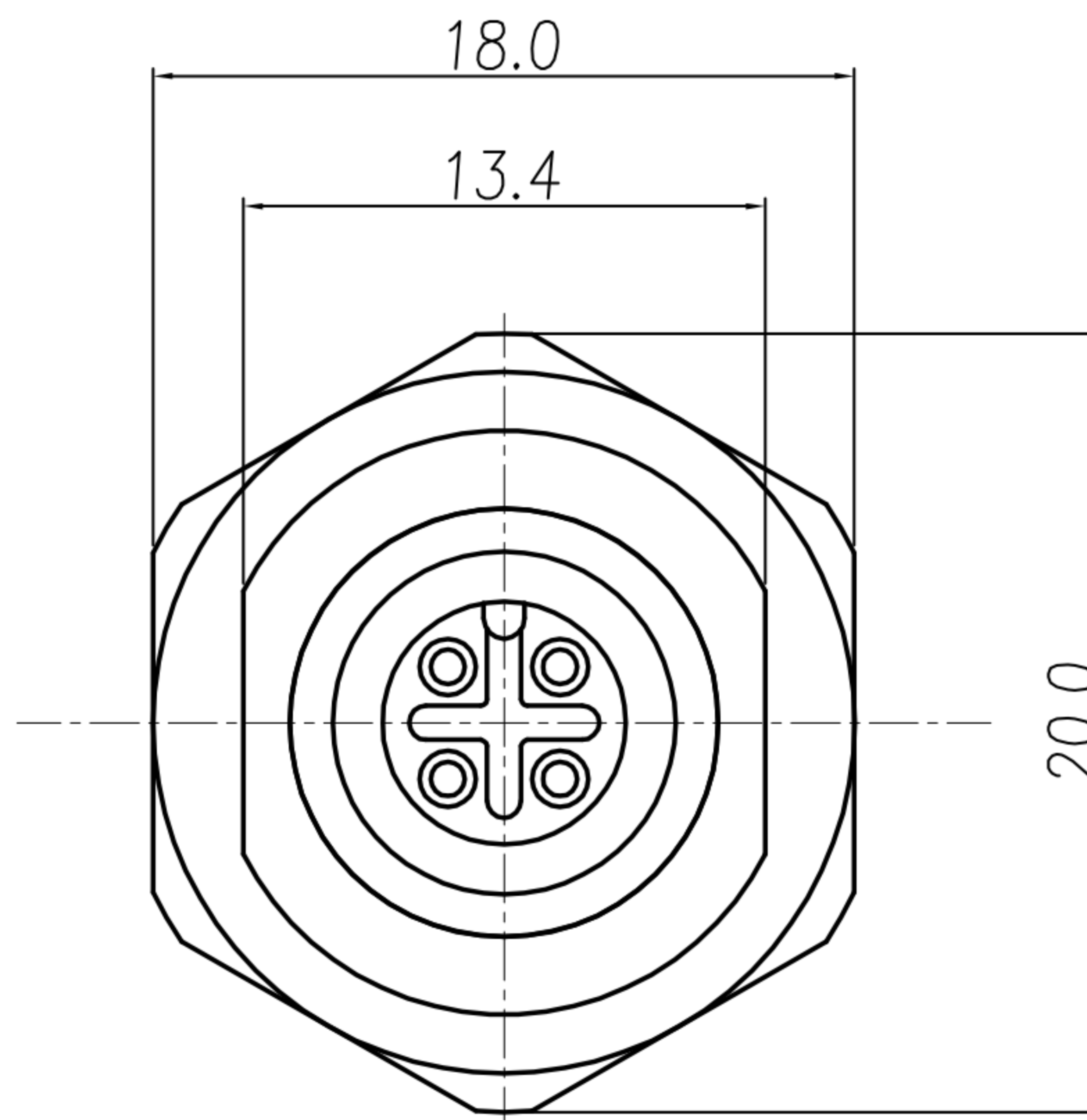
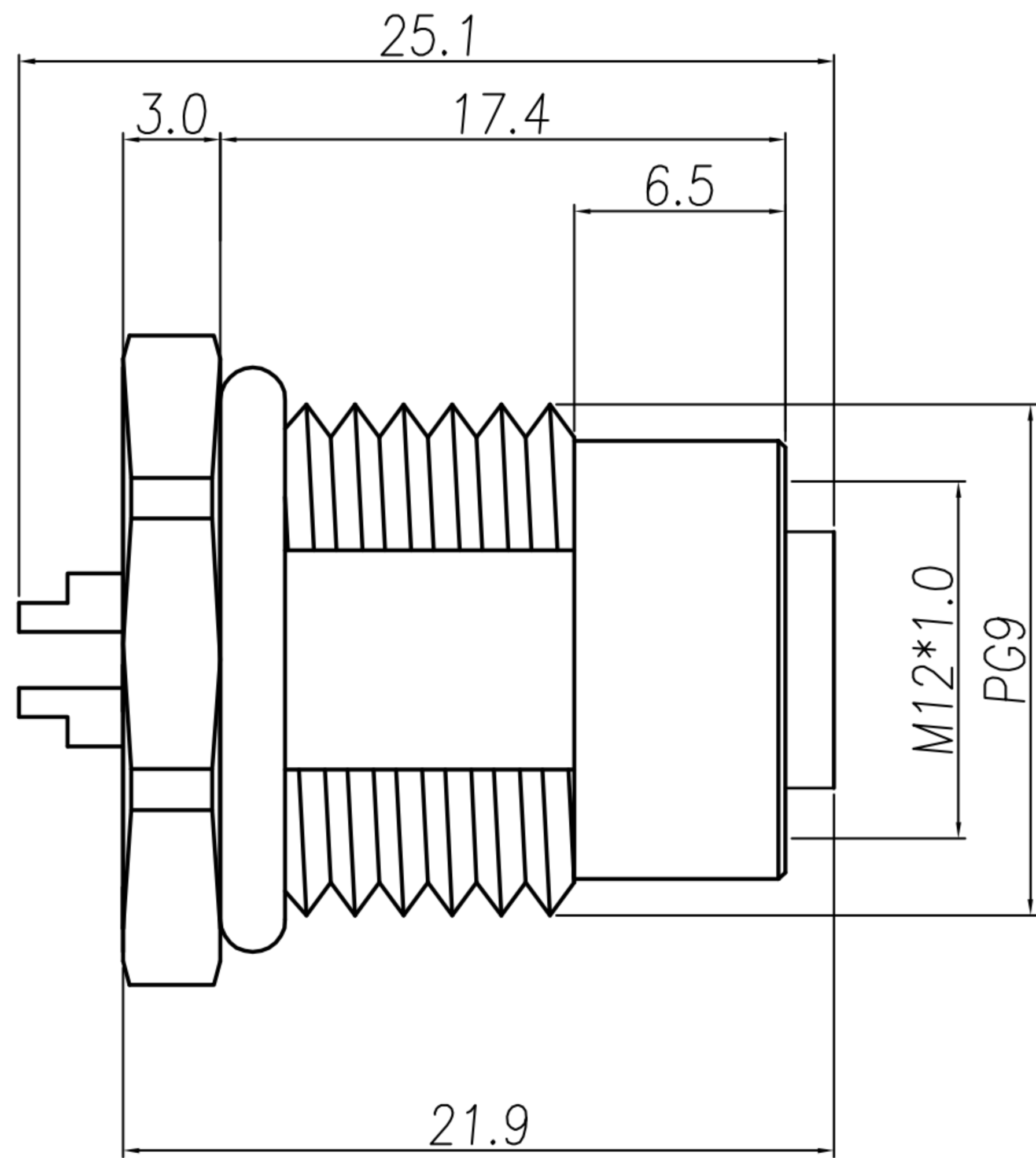
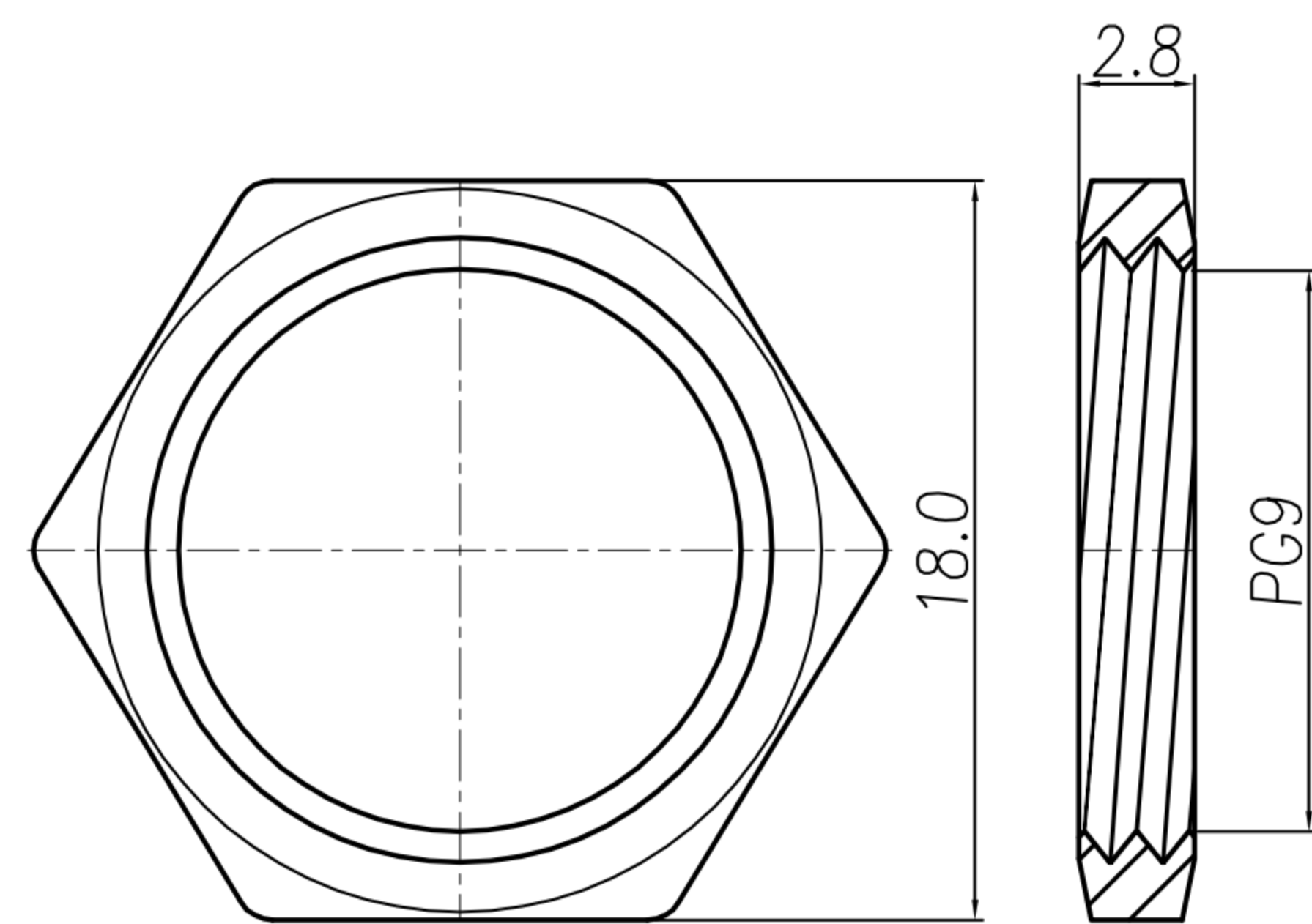
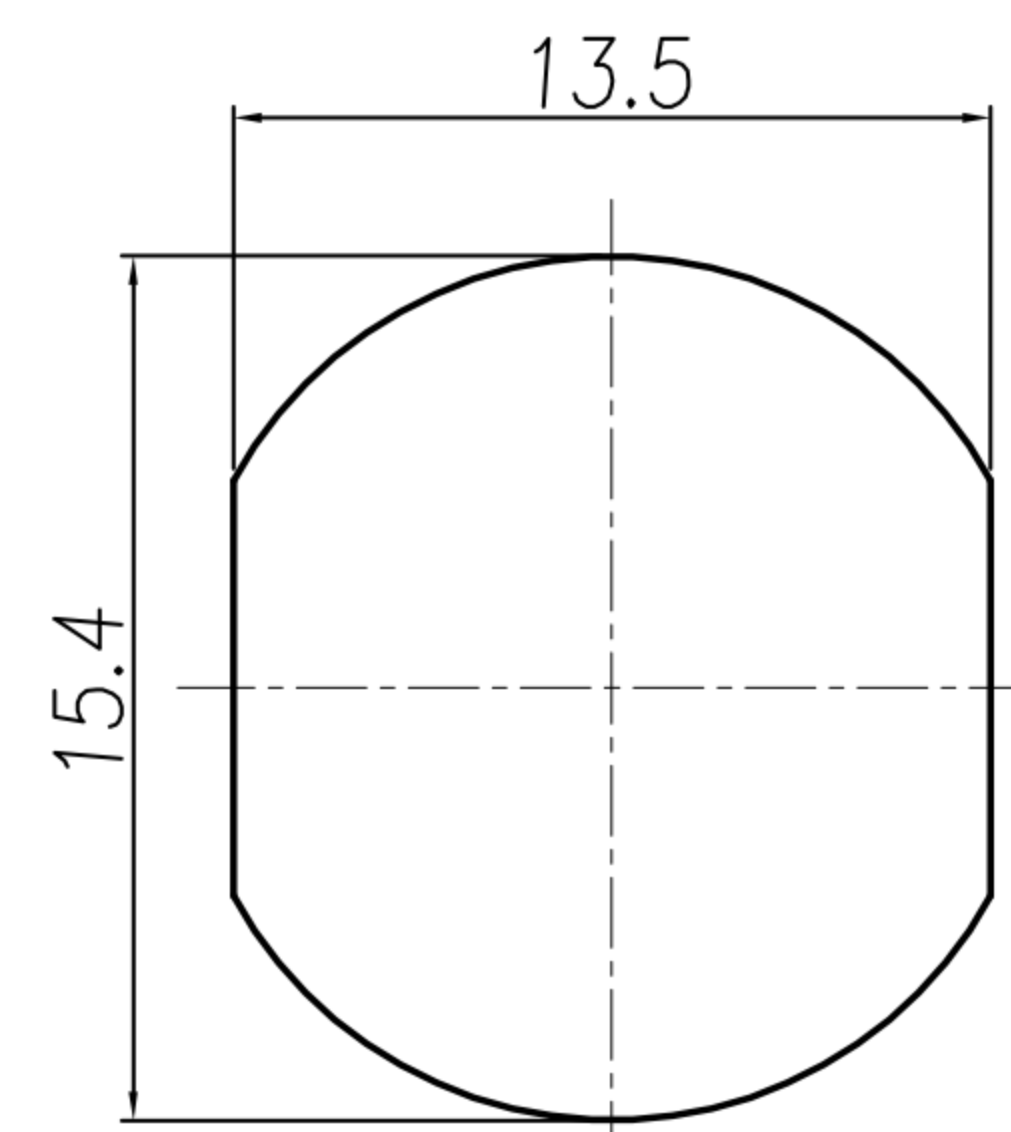


TABLE A

| | |
|----------------|---------------|
| | |
| WP-05F2-99-11 | WP-03F2-54-11 |
| | |
| WP-04F2-121-11 | WP-02F2-35-11 |



RECOMMEND PANEL CUT-OUT



- MATERIAL :
 - HOUSING : PBT UL94V-0 ; COLOR : BLACK
 - CONTACT : BRASS
 - NUT : BRASS
 - SHELL : BRASS
 - O-RING : EPDM ; COLOR : BLACK
- FINISH :
 - CONTACT : 10 MICRO INCHES MIN. GOLD PLATED
UNDER PLATE : NICKEL
 - NUT : NICKEL PLATED
 - SHELL : NICKEL PLATED
- ELECTRICAL SPECIFICATION :
 - Rated current : 4A
 - Rated Voltage : 2~4PIN 250V ; 5PIN 60V
 - Water proof : IPX7
- Environmental :
 - Operation Temperature : -40℃~85℃

NUT

| | | | | | | | | | | | | | | |
|-------|------------|--------|-----------|-------|-----|--|--|--|----------|---------------------------------|---------|--------|---------|--|
| DRAWN | Ku Chou | APPEND | Fido Weng | UNIT | mm | TOLERANCE | | 广东科斯达电子科技有限公司 GUANG DONG KE SI DA ELECTRONIC TECHNOLOGY CO., LTD. | TITLE | 防水 M12 A-code (F) 插脚Pg9插接式(无焊槽) | | | SHEET | |
| CHKED | Emily Suen | | | SCALE | 1:1 | .x ±0.20 .xx ±0.10 .xxx ±0.05 .xxxx ±0.03 ANGULA ±1° | | | PART NO. | SEE TABLE A | DWG NO. | QC6893 | VERSION | |